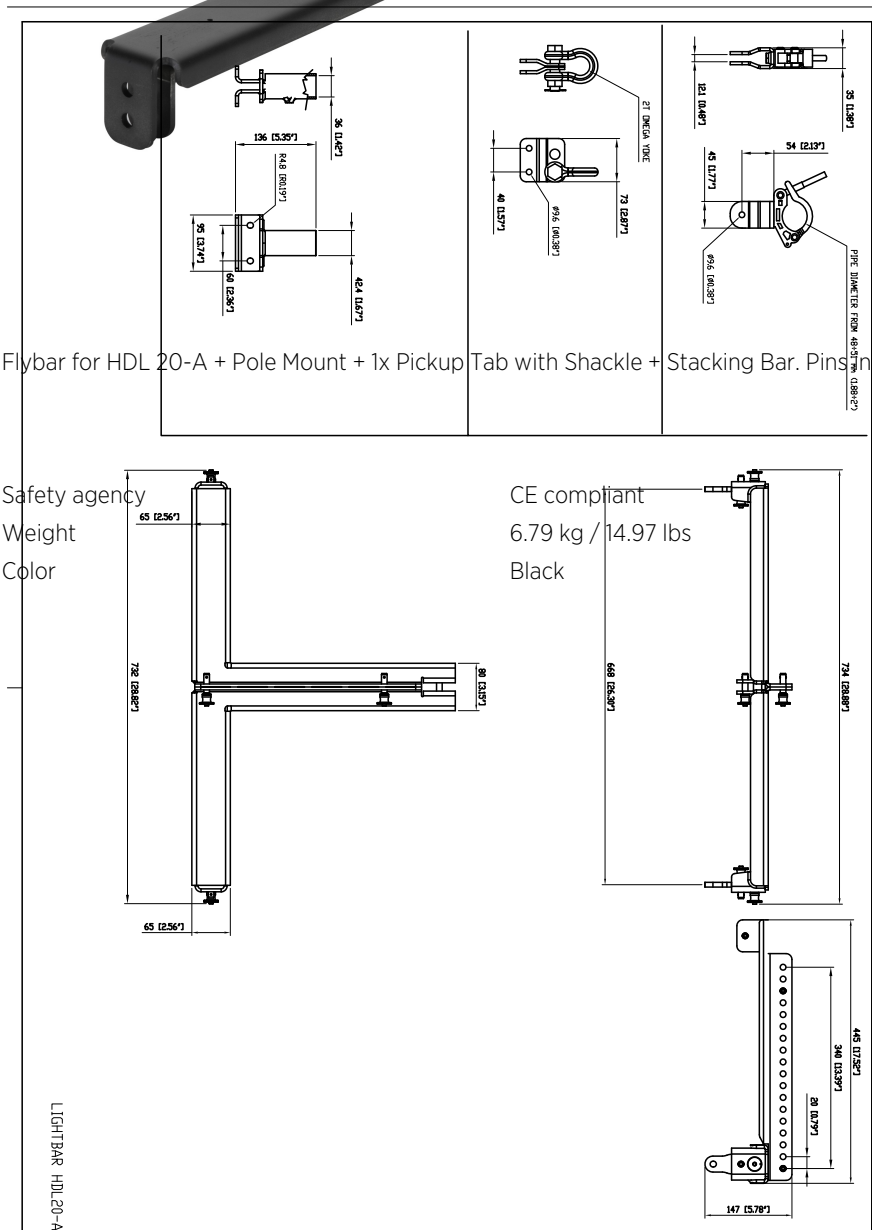
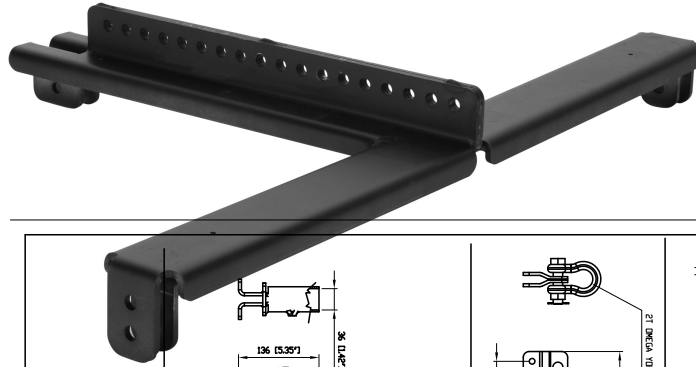




FL-B LGT HDL 20

SUSPENDING BAR FOR HDL 20-A



Description Flybar for HDL 20-A + Pole Mount + 1x Pickup Tab with Shackle + Stacking Bar. Pins included.

Standard compliance Safety agency
Size Weight
Physical specifications Color

CE compliant
 6.79 kg / 14.97 lbs
 Black

Line Art 2D

Part Number 13360229 FL-B LGT HDL 20 Black EAN 8024530010225

Technical Specifications

Products are continually improved. All specifications are therefore subject to change without notice.