



# FL-B PK HDL 20-18

PICKUP ACCESSORY



**Description**

Pickup Tab with Shackle for HDL 20-A and HDL 18-AS. To be added to the flybar when rigging with 2 motors. Pins included.

**Standard compliance**

Safety agency

CE compliant

**Size**

Weight

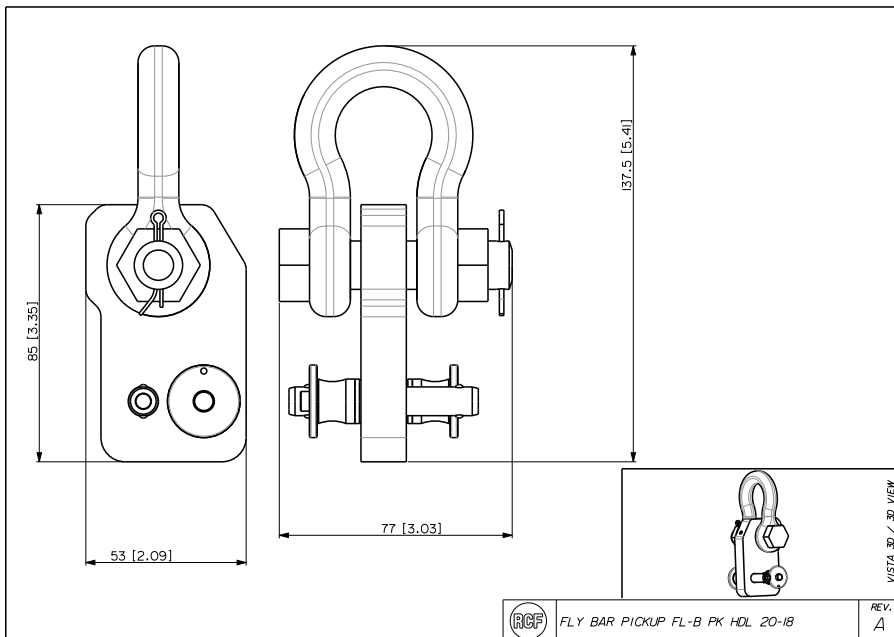
0.95 kg / 2.09 lbs

**Physical specifications**

Color

Black

**Line Art 2D**



**Part Number**

13360221 FL-B PK HDL 20-18

Black

EAN 8024530018221

**Technical Specifications**

Products are continually improved. All specifications are therefore subject to change without notice.