



HS 2200

ARRAY SUBWOOFER



Description

The HS 2200 is an array subwoofer system that incorporates a 18" woofer, 4.0" voice coil . The system is very compact and provides very high output and accurate voice and sound reproduction. The system is equipped with the latest generation of RCF precision transducers. Connections to the amplifier are made through a watertight Amphenol multi-pole connector. The grille is in custom perforated steel, epoxy coated, with open-cell fibres and water repellent woven fabric backing. The cabinet is constructed of multi-ply Baltic birch marine plywood and finished in a very resistant, textured, polyurea black paint.

Features

- › Array subwoofer
- › 18" RCF Precision woofers with 4" voice coil
- › 136 dB Max SPL
- › System Power rating 900 Watt RMS
- › Safe and solid variable array mechanics
- › Baltic Birch Plywood enclosure with internal structural metal bracings

Part Number

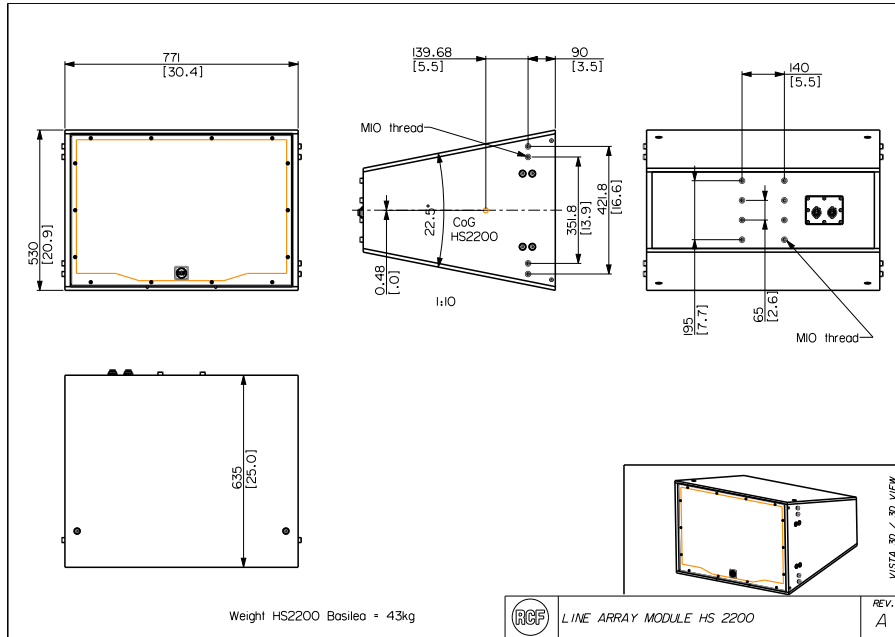
13000406 HS 2200	8ohm	Black	EAN 8024530011628
13000745 HS 2200		Custom color	EAN 8024530019433



HS 2200

ARRAY SUBWOOFER

Line Art 2D



TECHNICAL SPECIFICATIONS

Acoustical specifications	Frequency Response (-10dB)	30 Hz - 200 Hz
	Frequency Response (-3dB)	35 Hz - 200 Hz
	Max SPL @ 1m	136 dB
	System Sensitivity	100 dB
Power section	Amplification	Full Range
	Nominal Impedance	8 ohm
	Power Handling	900 W
	Peak Power Handling	3600 W PEAK
	Recommended Amplifiers	XPS 16K, XPS 16KD, QPS 10K, QPS 6.0K, IPS 5.0K, IPS 2.5K
Transducers	Woofer	18", 4.0" v.c
Input/Output section	Input connectors	Amphenol eco/mat IP 67
	Output connectors	Amphenol eco/mat IP 67
Standard compliance	Safety agency	CE compliant
Physical specifications	Cabinet/Case Material	Baltic birch plywood
	Hardware	Side and rear array rigging point
	Grille	Steel
	Color	Custom color, Black
	Size / Weight	Height
Width		771 mm / 30.35 inches
Depth		635 mm / 25 inches
Weight		50.8 kg / 111.99 lbs



HS 2200

ARRAY SUBWOOFER

Rigging / Mounting

ACCESSORIES

FLY BARS

13360282

FL-B HL

Black

EAN 8024530011734