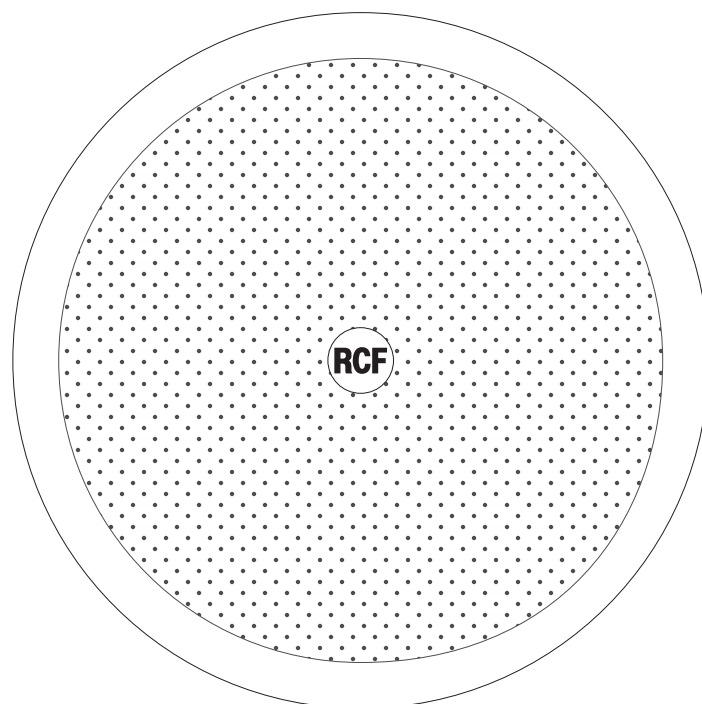
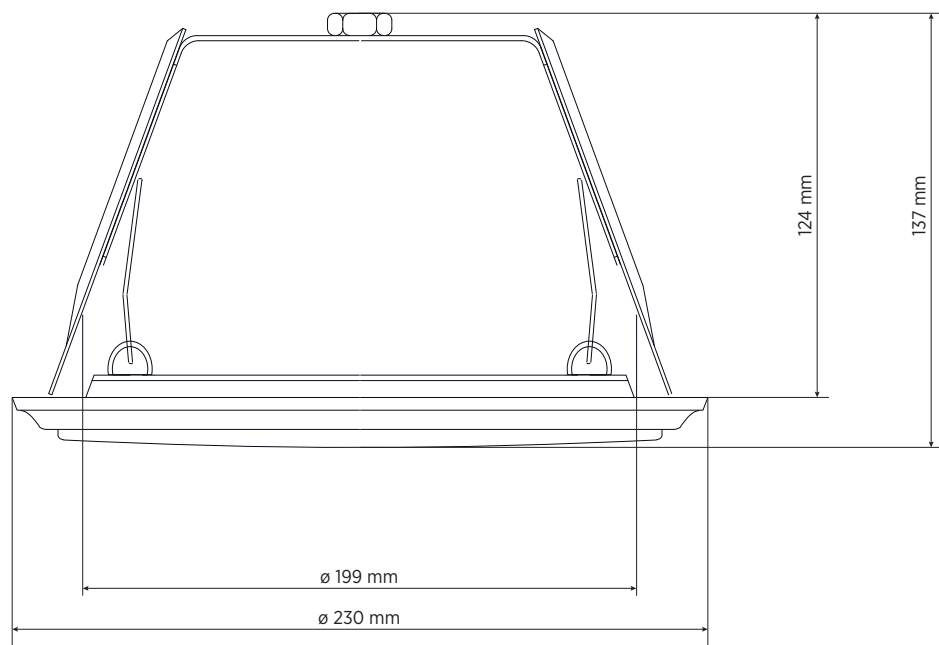
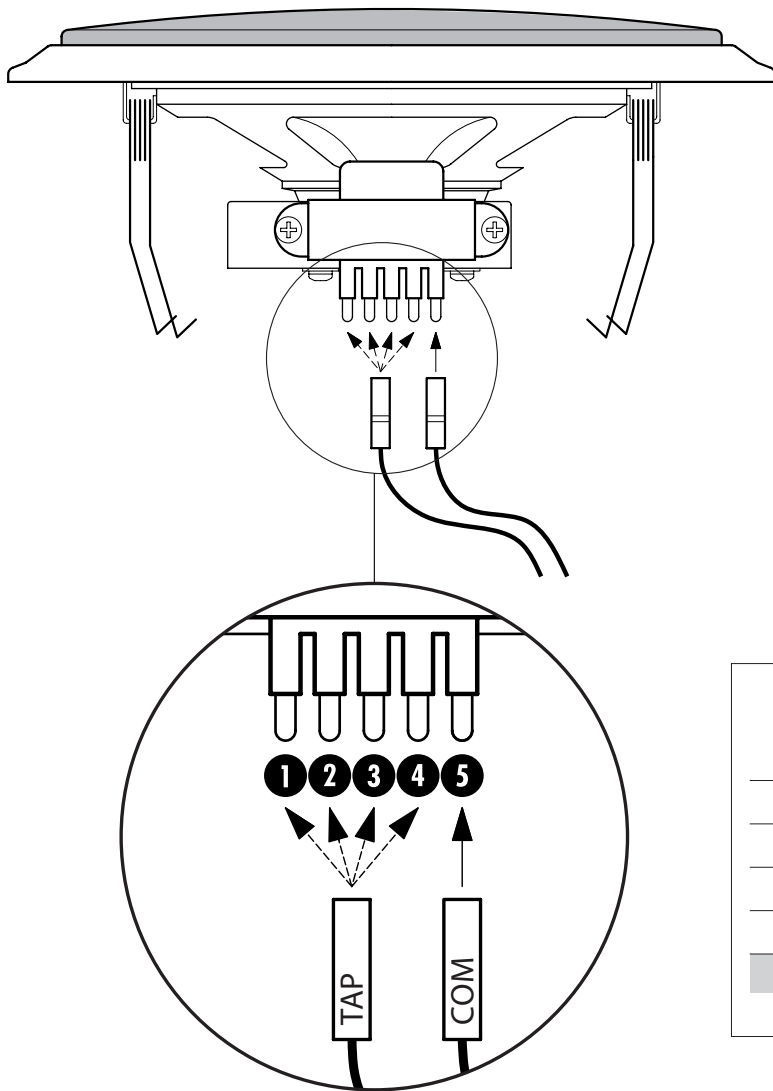


## DRAWINGS



## SCHEMATICS



TAP	POWER (100 V)	POWER (70 V)
1	0.75 W	0.375 W
2	1.5 W	0.75 W
3	3 W	1.5 W
4	6 W	3 W
5	COM	