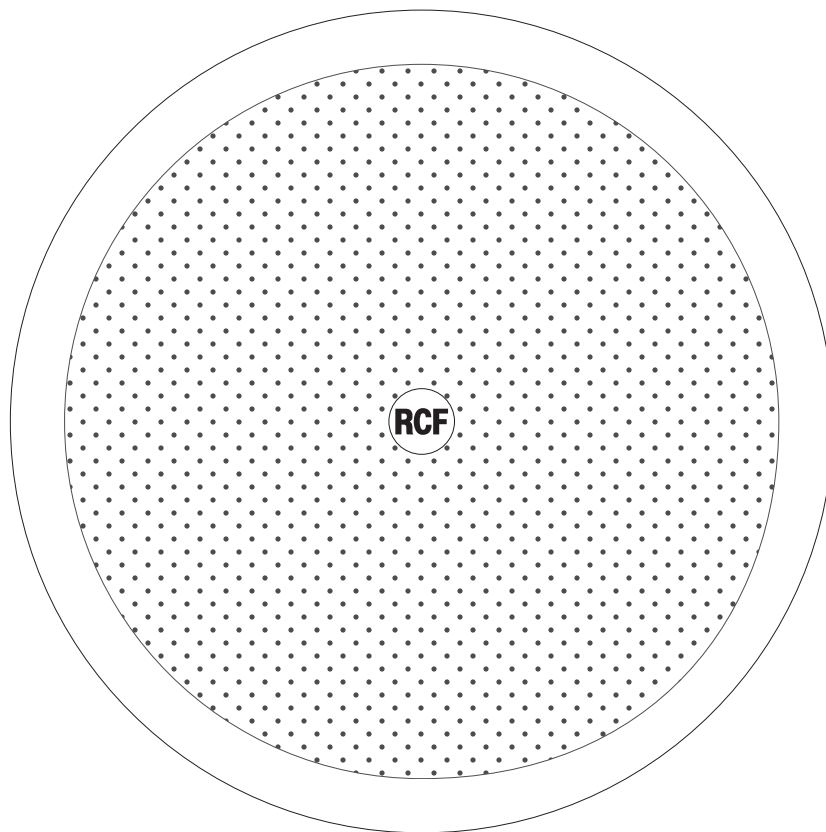
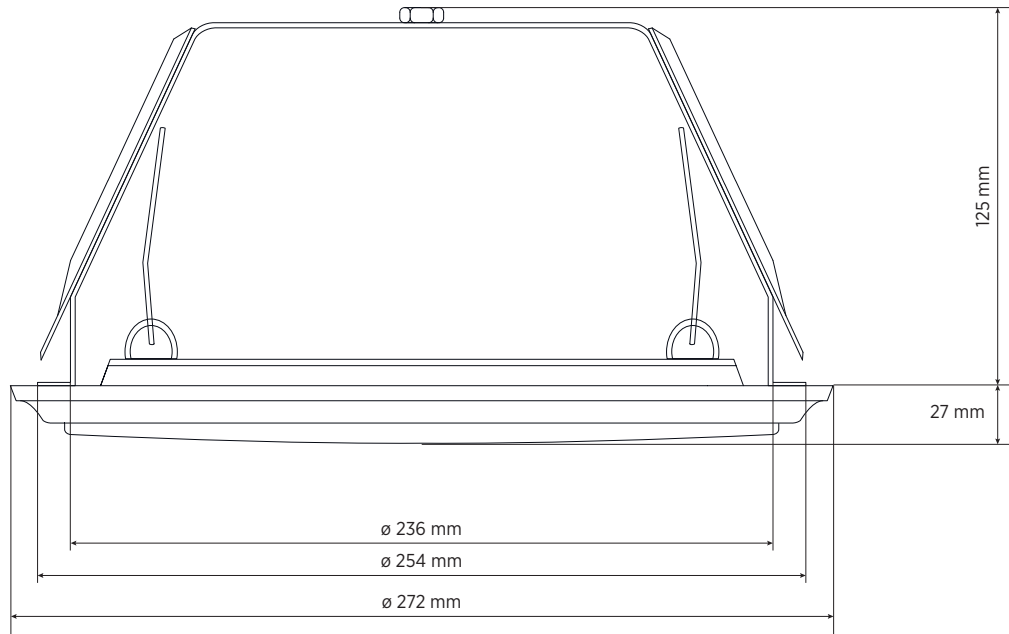
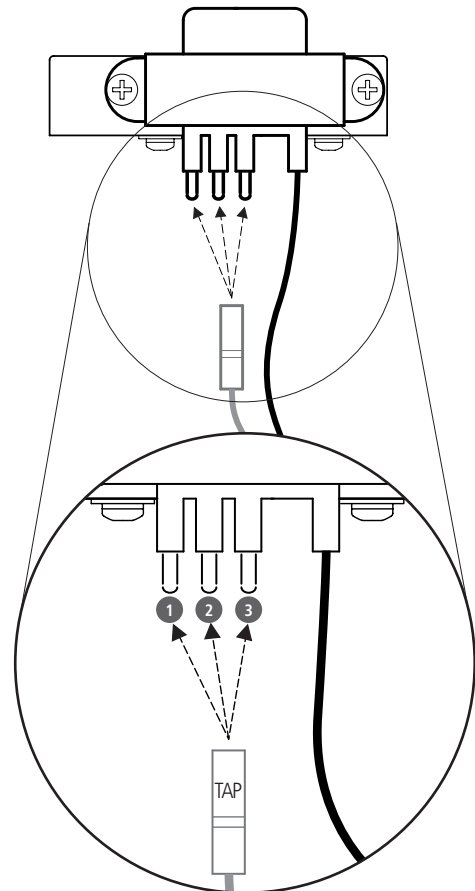
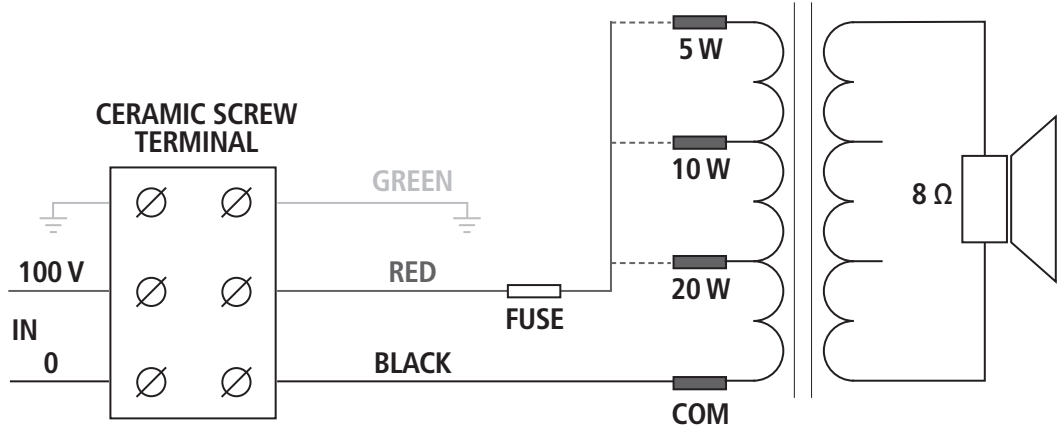


## DRAWINGS



**SCHEMATICS**



TAP (pins)	POWER (100 V)	POWER (70 V)
1	5 W	2.5 W
2	10 W	5 W
3	20 W	10 W