

TTS 15-A

ACTIVE HIGH POWER SUBWOOFER

DESCRIPTION

The RCF TTS 15-A is a compact, high output subwoofer module ideal in combination with TT+ two way touring systems. The RCF TTS 15 -A features low weight for easy handling, weatherproof cabinet, a 15" woofer powered by a 1100 watt RMS SMPS class-D Amplifier with full DSP and RDNet network capabilities



FEATURES

- 134 dB SPL Max
- 40-400 Hz Frequency Range
- 1 x 15" woofer
- DSP Controlled Input Section with selectable presets (e.g. cardioid)
- 1100W RMS Class-D Amplifier
- RDNet remote monitoring and control
- Vertical and horizontal placement with M20 pole receptacle on top and side
- Baltic Birch Cabinet

TECHNICAL SPECIFICATIONS

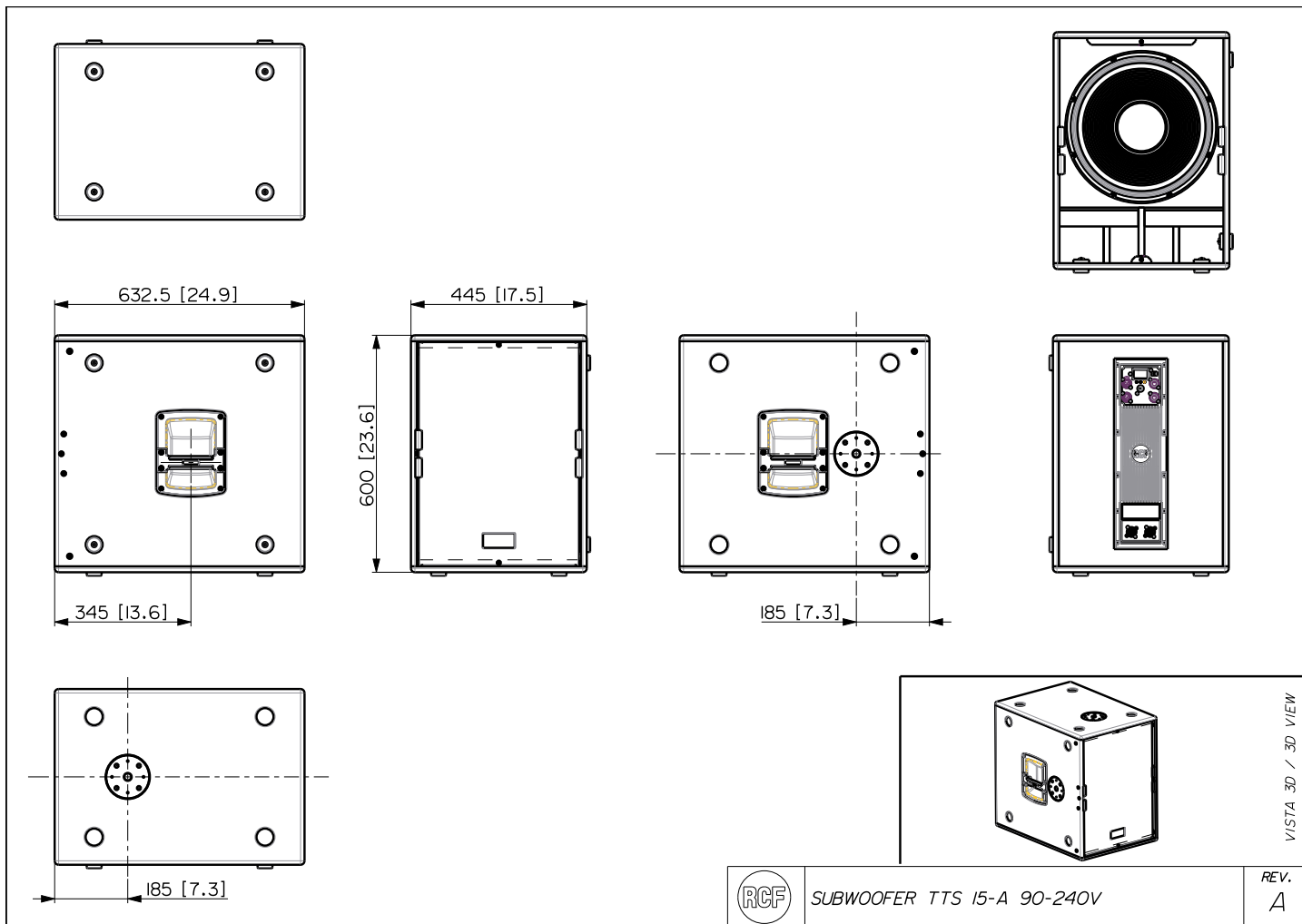
Acoustical specifications	Frequency Response:	40 Hz ÷ 400 Hz
	Max SPL @ 1m:	134 dB
Transducers	Woofers:	15", 3.0" v.c
Input/Output section	Input signal:	bal/unbal
	Input connectors:	XLR, RDNet Ethercon
	Output connectors:	XLR, RDNet Ethercon
	Input sensitivity:	+4 dBu
Processor section	Hi-Pass Frequencies:	40 Hz, 50 Hz
	Low-Pass Frequencies:	Variable from 60 Hz to 400 Hz
	Protections:	Thermal, RMS
	Limiter:	Fast Limiter
	Controls:	Gain, Eq, Prest Switch, Out Delay
	RDNet:	Yes
Power section	Total Power:	2200 W Peak, 1100 W RMS
	Cooling:	Convection
	Connections:	Powercon IN/OUT
Standard compliance	CE marking:	Yes
Physical specifications	Cabinet/Case Material:	Baltic birch plywood
	Hardware:	2 x M20
	Handles:	2 Side
	Grille:	Steel
	Color:	Black
Size	Height:	600 mm / 23.62 inches
	Width:	445 mm / 17.52 inches
	Depth:	633 mm / 24.92 inches
	Weight:	36.5 kg / 80.47 lbs
Shipping informations	Package Height:	670 mm / 26.38 inches
	Package Width:	705 mm / 27.76 inches
	Package Depth:	520 mm / 20.47 inches
	Package Weight:	41.3 kg / 91.05 lbs

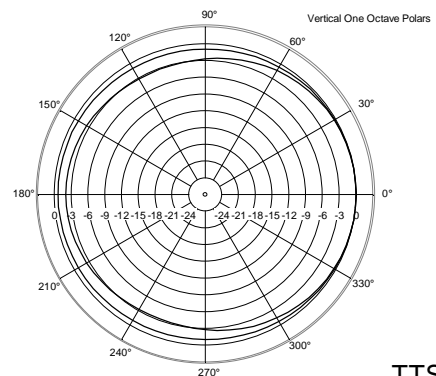
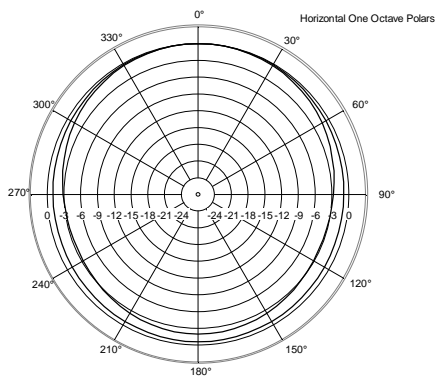
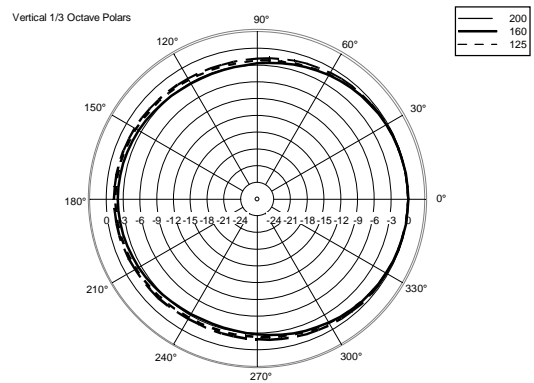
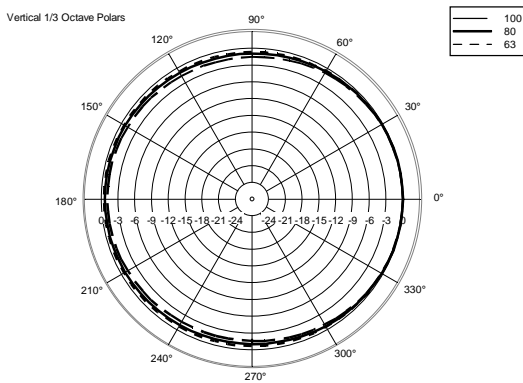
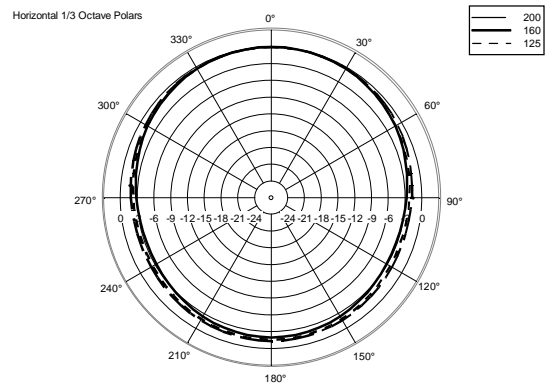
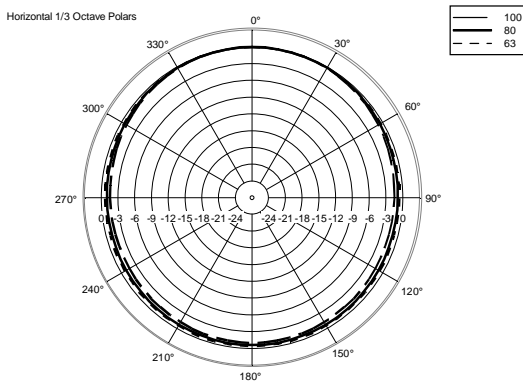
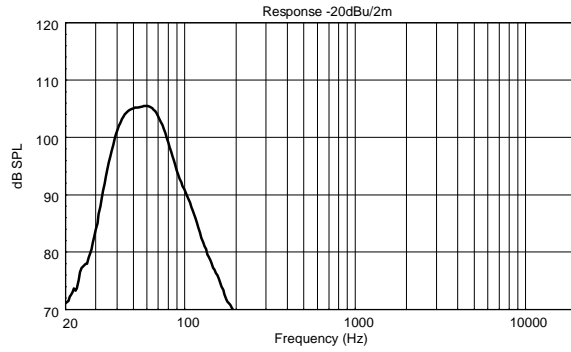
PART NUMBER

- **13000543**

TTS 15-A

EAN 8024530015381





ACCESSORIES

AC CONNECTION SUB8006-AS CONN. BRACKET

PART NUMBER **13360231**
EAN: 8024530018672

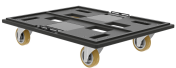
AC PM-M20

PART NUMBER **13360067**
EAN: 8024530014599

AC PMX POLE MOUNT M20

PART NUMBER **13360232**
EAN: 8024530010058

COVER CVR TTS 15

PART NUMBER **13360395**
EAN: 8024530015459

KART WITH WHEELS KRT-WH TTS 15

PART NUMBER **13360383**
EAN: 8024530014995