



# V-BR 2X COMPACT C 45

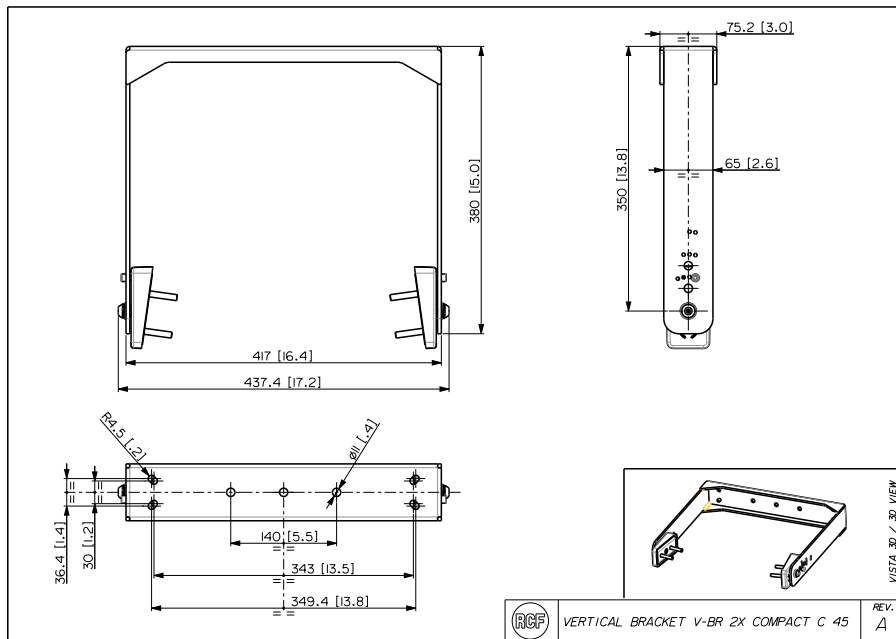
PAIR OF VERTICAL BRACKETS



**Description** Pair of vertical brackets for COMPACT C 45 speakers wall mounting.

<b>Standard compliance</b>	Safety agency	CE compliant
<b>Size</b>	Weight	8 kg / 17.64 lbs
<b>Physical specifications</b>	Color	Black - RAL 9005

**Line Art 2D**



**Part Number** V-BR 2X COMPACT C 13360494 45 Black - RAL 9005 EAN 8024530019921

**Technical Specifications**

Products are continually improved. All specifications are therefore subject to change without notice.