

V-BR TT 10

VERTICAL BRACKET



FEATURES

- SAFE AND QUICK SPEAKER INSTALLATION
- ADJUSTABLE INCLINATION
- PAINTED WITH BLACK, SCRATCH RESISTANT PAINT
- STEEL CONSTRUCTION

**TECHNICAL SPECIFICATIONS**

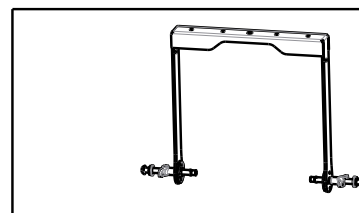
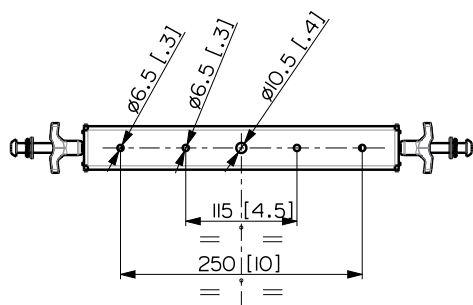
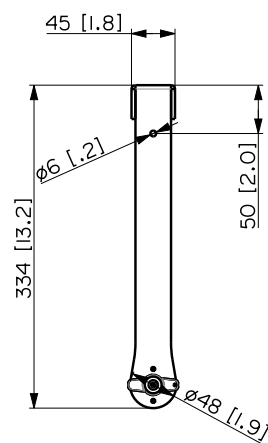
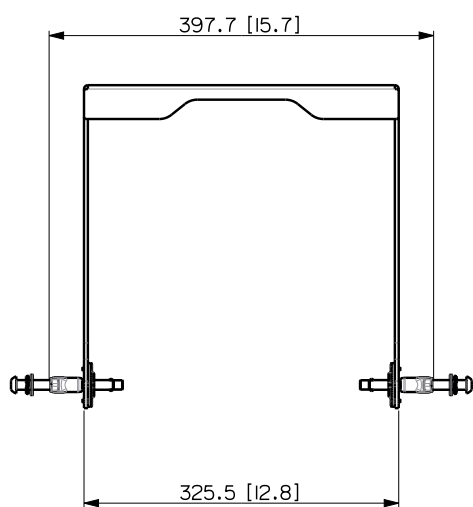
General specifications	Pieces	1
Standard compliance	CE marking:	Yes
Physical specifications	Cabinet/Case Material:	Metal
	Color:	Black
Size	Weight:	1.6 kg / 3.53 lbs
Shipping informations	Package Height:	60 mm / 2.36 inches
	Package Width:	350 mm / 13.78 inches
	Package Depth:	340 mm / 13.39 inches
	Package Weight:	2.1 kg / 4.63 lbs

PART NUMBER

- **13360401**

V-BR TT 10

EAN 8024530016302



VISTA 3D / 3D VIEW



VERTICAL BRACKET V-BR TT 10

REV.
A