



# WMR 60T

TWO-WAY WALL-MOUNT MONITOR SPEAKER



## Description

WMR 60T is a multi-purpose two-way wall-mounted speaker, suitable for a wide range of applications. Thanks to its elegant and discreet design and accurate details, WMR 60T pairs any building's aesthetic. The high-quality transducers guarantee a precise music reproduction of the entire frequency band and provide impressive sound pressure levels for such a compact enclosure. The installation is easy thanks to the dedicated connection board inside the (included) wall mount support, which allows the installer to set the desired tilt first, fix the speaker, and finally connect it without the need for any tooling.

## Features

- › 80W RMS power handling
- › 114 dB max SPL
- › 70 ÷ 20000 Hz frequency range
- › 140° x 100° constant directivity coverage angle
- › 6.5" high power woofer
- › 1" neodymium dome tweeter
- › Self-extinguishing plastic cabinet and aluminum front grille
- › Connection board integrated into the wall support
- › 4 pole EUROBLOCK connector (audio input and parallel link output)
- › IP55 protection grade

## Part Number

13100050 WMR 60T  
13100071 WMR 60T W

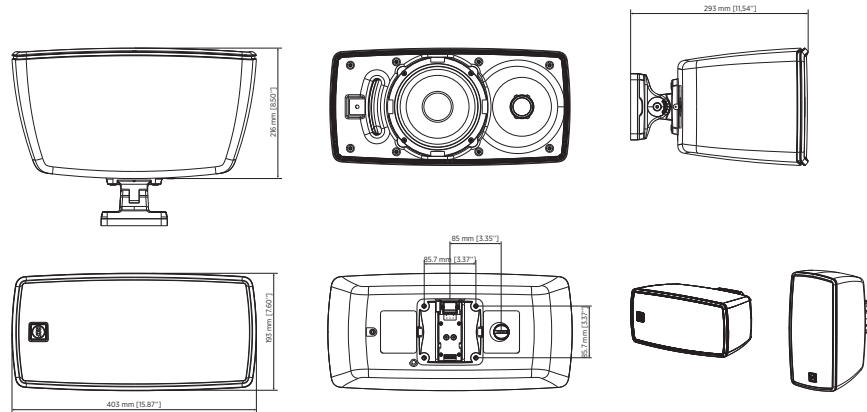
Black - RAL 9005 EAN 8024530017453  
White - RAL 9003 EAN 8024530020026



# WMR 60T

## TWO-WAY WALL-MOUNT MONITOR SPEAKER

### Line Art 2D



### TECHNICAL SPECIFICATIONS

<b>Acoustical specifications</b>	Frequency Response (-10dB)	70 Hz ÷ 20000 Hz
	Max SPL @ 1m	114 dB
	Horizontal coverage angle	140°
	Vertical coverage angle	100°
	System Sensitivity	89 dB
<b>Power section</b>	Amplification	Full Range
	Nominal Impedance	8 ohm
	Power Handling	80 W RMS
	Peak Power Handling	320 W PEAK
	Protections	Bulb lamp
	Crossover Frequencies	2500
	Recommended Amplifiers	DMA 504, DMA 162, DMA 82, DMA 162P
<b>Transducers</b>	Dome Tweeter	1 x 1.0" neo, 1.0" v.c
	Woofers	1 x 6.5", 1.2" v.c
<b>Input/Output section</b>	Input connectors	Euroblock
	Output connectors	Euroblock
	Constant Voltage Transformer	70/100 V
	Power selection 1	80 W - 125 ohm
	Power selection 2	40 W - 250 ohm
	Power selection 3	20 W - 500 ohm
<b>Standard compliance</b>	Power selection 4	10 W - 1000 ohm
	Power selection 5	5 W - 2000 ohm
	IP protection grade	IP 55
	Safety agency	CE compliant, UL 1480A
	<b>Physical specifications</b>	Cabinet/Case Material
Hardware		Wall mount bracket
Grille		Steel
Color		Black - RAL 9005, White - RAL 9003



# WMR 60T

TWO-WAY WALL-MOUNT MONITOR SPEAKER

<b>Size</b>	Height	403 mm / 15.87 inches
	Width	193 mm / 7.6 inches
	Depth	293 mm / 11.54 inches
	Weight	6 kg / 13.23 lbs