

FL-B HDL 20-18

SUSPENDING BAR FOR HDL 20-A

DESCRIPTION

Flybar for HDL 20-A or HDL 18-AS + 1x Pickup Tab with Shackle + Stacking Bar. Pins included.



FEATURES

- To suspend up to 16 HDL 20-A modules
- Strong steel construction

TECHNICAL SPECIFICATIONS

General specifications	Pins Included	3
	Stack Bar Included	1
	Max number of speaker	16
<hr/>		
Standard compliance	CE marking:	Yes
<hr/>		
Physical specifications	Cabinet/Case Material:	Steel
	Color:	Black
<hr/>		
Size	Height:	101 mm / 3.98 inches
	Width:	733 mm / 28.86 inches
	Depth:	676 mm / 26.61 inches
	Weight:	20.69 kg / 45.61 lbs
<hr/>		
Shipping informations	Package Height:	100 mm / 3.94 inches
	Package Width:	730 mm / 28.74 inches
	Package Depth:	775 mm / 30.51 inches
	Package Weight:	26.8 kg / 59.08 lbs

PART NUMBER

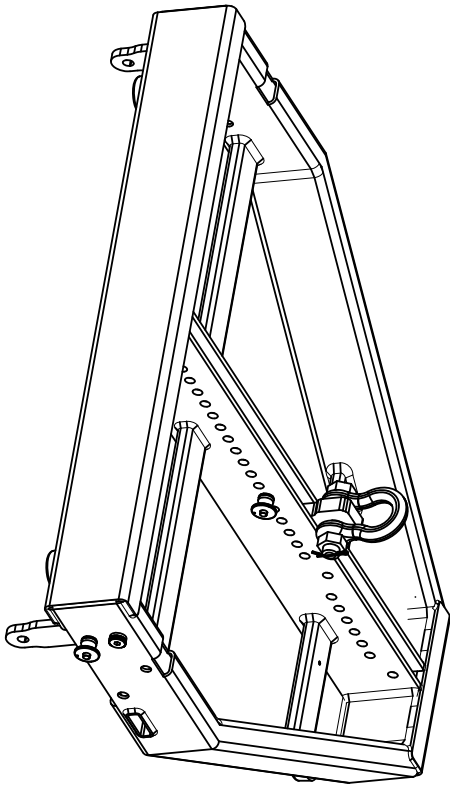
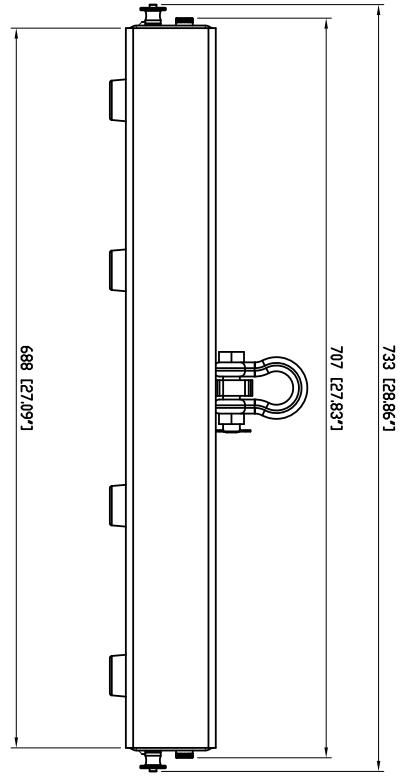
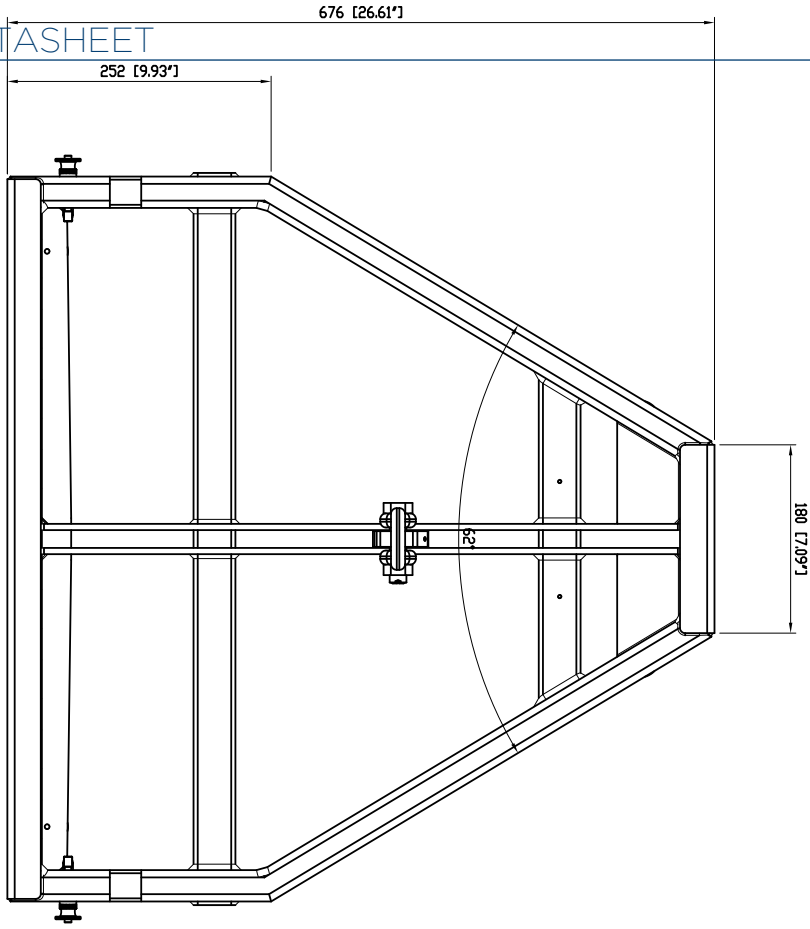
- **13360218**

FL-B HDL 20-18

EAN 8024530013967



DATASHEET



FLYBAR
HDL20-A
HDL18-AS

