



# FL-B HDL 50

FLYBAR



**Description**

Flybar for HDL 50-A or HDL 53-AS + 1x Pickup Tab with Shackle + Stacking Bar + Mounting Bracket for inclinometer. Pins included.

**Standard compliance**

Safety agency

CE compliant

**Size**

Weight

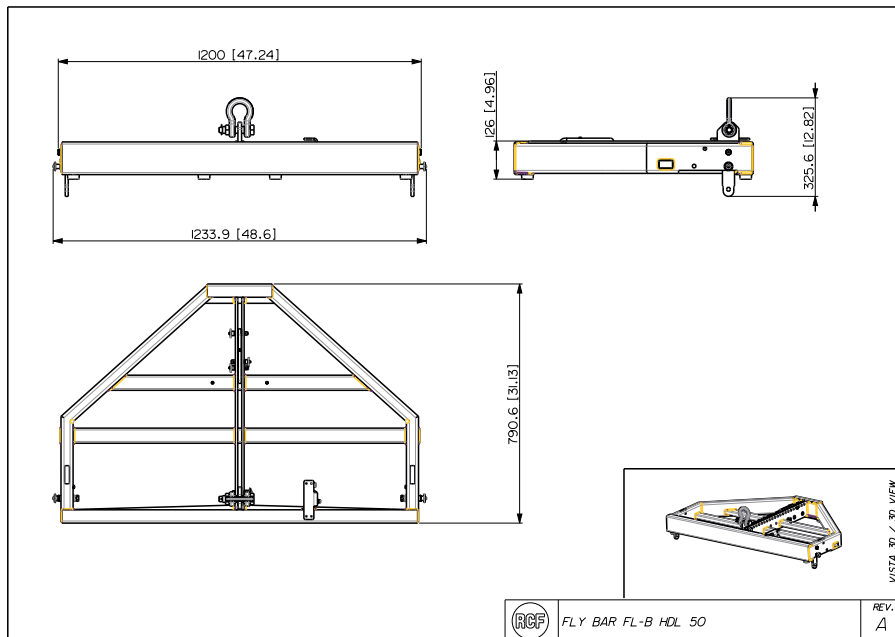
51.2 kg / 112.88 lbs

**Physical specifications**

Color

Black

**Line Art 2D**



**Part Number**

13360334 FL-B HDL 50

Black

EAN 8024530013240

**Technical Specifications**

Products are continually improved. All specifications are therefore subject to change without notice.