



HD 10-A MK4

ACTIVE TWO-WAY SPEAKER



Description

RCF cares about your sound. The new D-Line MK4 speakers boosts the performance with a series of brand new transducers, improves the sound quality with the revolutionary FIRPHASE processing and renew the grille design to exalt the professional look. The vocals are natural, the sound is clear at long distances, the SPL power is stable at very high levels.

The concept of the HD-Line derives from the touring industry, bringing in an elegant and compact cabinet all the experience of RCF professional sound with the maximum reliability and strength for the intensive use on the road. Connect your microphone, your device or your mixer to the speaker and turn up the volume: real plug&play. Perfect as a main front of house in small PA systems, high powered floor monitoring and unobtrusive fixed installation.

Features

- > 800 watt 2-way peak power
- > 128 dB max SPL
- > Digital bi-amplification, SMPS
- > DSP sound processing
- > 90° x 70°, wide dispersion constant directivity horn
- > 10" woofer, high power, 2.0" voice coil
- > 1.0" HF driver, titanium dome, neodymium 1.0" voice coil
- > FIRPHASE processing

Part Number

13040024 HD 10-A MK4
13040025 HD 10-A MK4

220-240 V
115 V

Black
Black

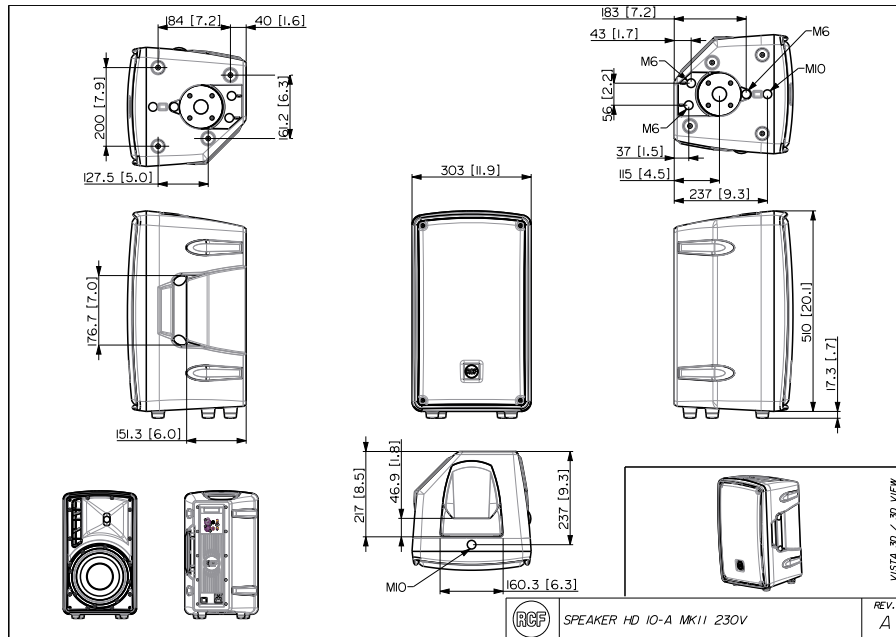
EAN 8024530014087
EAN 8024530014094



HD 10-A MK4

ACTIVE TWO-WAY SPEAKER

Line Art 2D



TECHNICAL SPECIFICATIONS

Acoustical specifications	Frequency Response	50 Hz ÷ 20000 Hz
	Max SPL @ 1m	128 dB
	Horizontal coverage angle	90°
	Vertical coverage angle	60°
Transducers	Compression Driver	1 x 1.0", 1.75" v.c
	Woofer	1 x 10", 2.0" v.c
Input/Output section	Input signal	bal/unbal
	Input connectors	XLR, Jack
	Output connectors	XLR
	Input sensitivity	-2 dBu/+4 dBu
	Mic. Input Sensitivity	-32 dBu
Processor section	Crossover Frequencies	2000 Hz
	Protections	Thermal, RMS
	Limiter	Soft Limiter
Power section	Controls	Boost, Volume, Mic/Line
	Total Power	800 W Peak, 400 W RMS
	High frequencies	200 W Peak, 100 W RMS
	Low frequencies	600 W Peak, 300 W RMS
Standard compliance	Cooling	Convection
	Connections	VDE
	Safety agency	CE compliant
	Physical specifications	Cabinet/Case Material
Hardware		1 x M10 top, 1 x M10 bottom, 3 x M6 bottom
Handles		1 Top, 1 Side
Pole mount/Cap		35 mm insert
Grille		Steel
Color		Black



HD 10-A MK4

ACTIVE TWO-WAY SPEAKER

Size	Height	527 mm / 20.75 inches	
	Width	303 mm / 11.93 inches	
	Depth	303 mm / 11.93 inches	
	Weight	11.8 kg / 26.01 lbs	
	ACCESSORIES		
	13360111 AC PRO-LF	Black	EAN 8024530006495
	13360035 AC S260		EAN 8024530005030
Rigging / Mounting	FLOOR STANDS		
	13360109 AC PRO-FS	Black	EAN 8024530006471
	HORIZONTAL BRACKETS		
	13360215 H-BR 2X HD 10	Black	EAN 8024530016548
	POLE MOUNT KITS		
	13360034 AC PMA		EAN 8024530007713
	13360232 AC PMX		EAN 8024530010058
	13360110 AC PRO-PM	Black	EAN 8024530006488
	13360067 PM-KIT M20	Black	EAN 8024530014599
Protections	COVERS		
	13360208 CVR HD 10	Black	EAN 8024530010713
Cables	CABLES KIT		
	13360102 AC XLR 3M3F		EAN 8024530006402