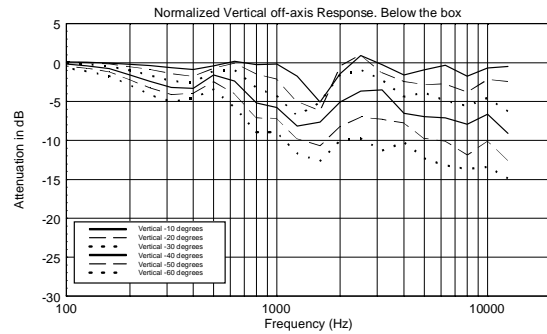
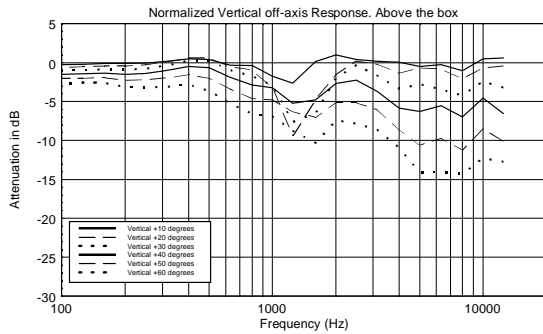
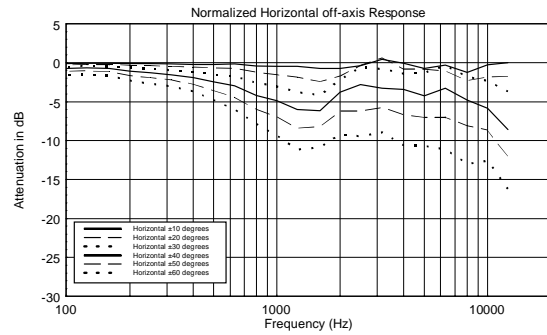
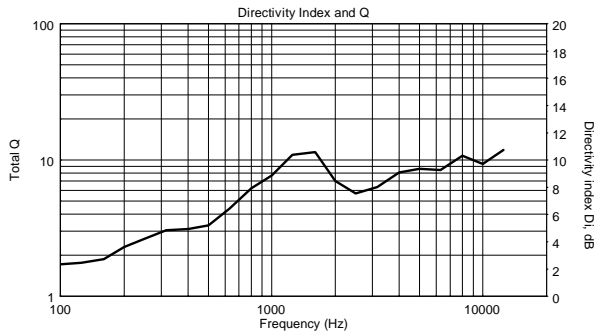
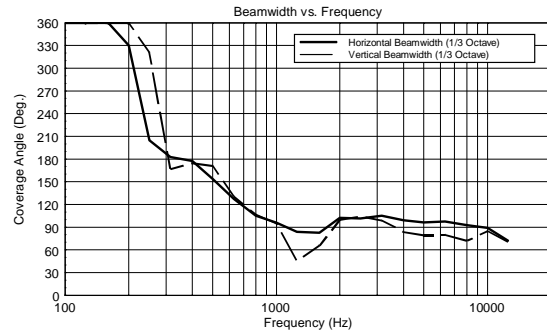
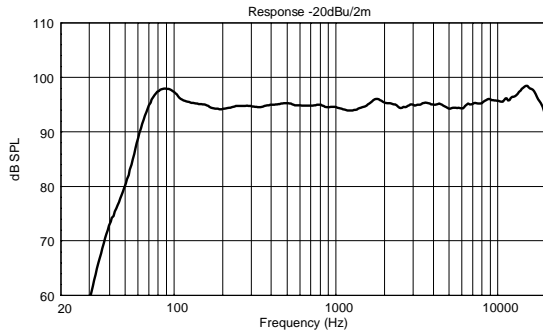




# NX 915-SMA

## PROFESSIONAL ACTIVE STAGE MONITOR

### ACOUSTIC MEASUREMENTS

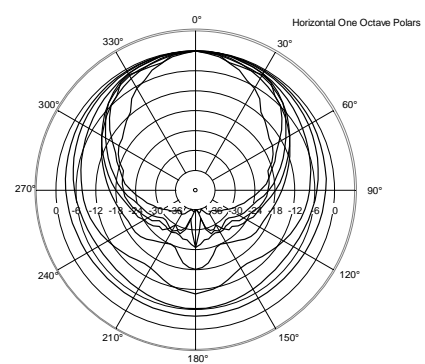
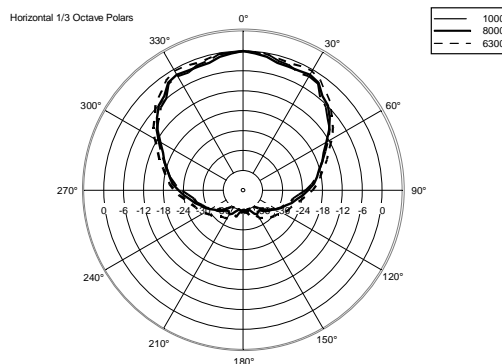
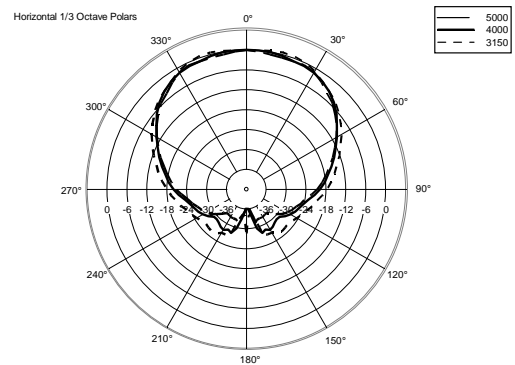
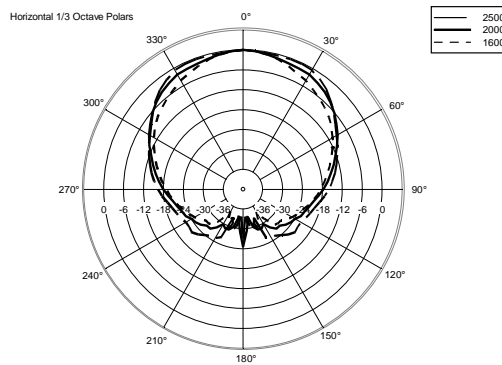
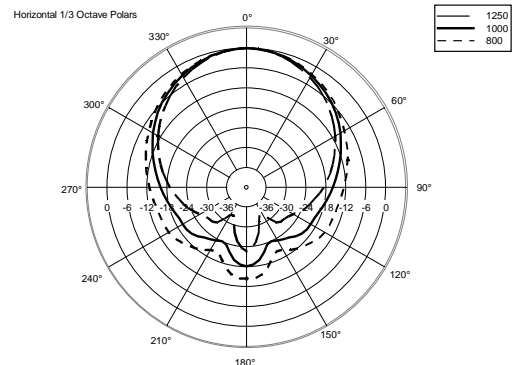
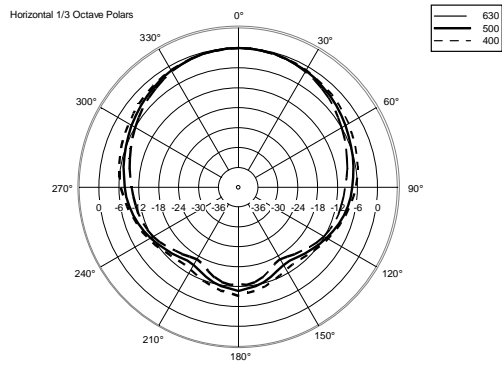
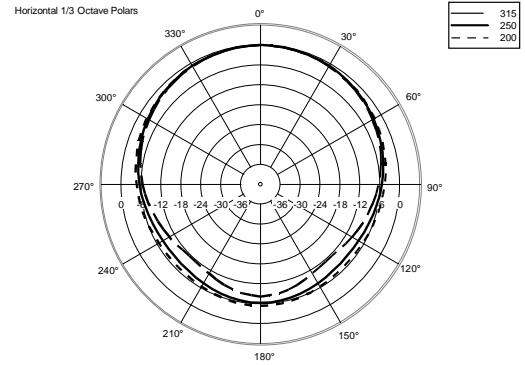
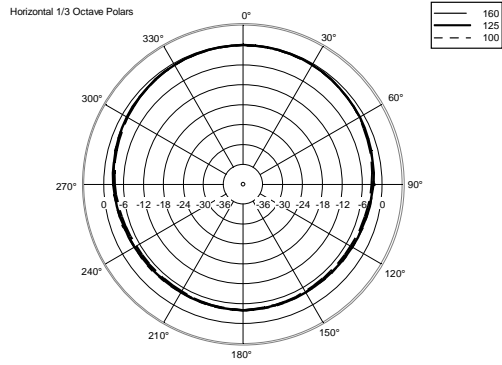




# NX 915-SMA

## PROFESSIONAL ACTIVE STAGE MONITOR

### ACOUSTIC MEASUREMENTS





# NX 915-SMA

PROFESSIONAL ACTIVE STAGE MONITOR

## ACOUSTIC MEASUREMENTS

