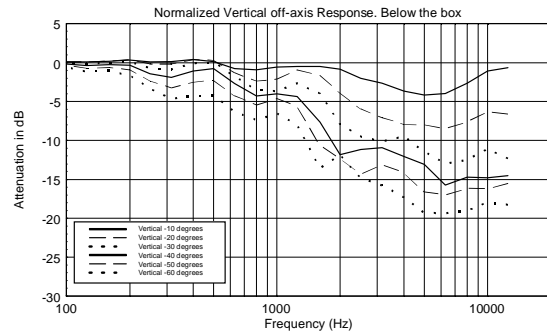
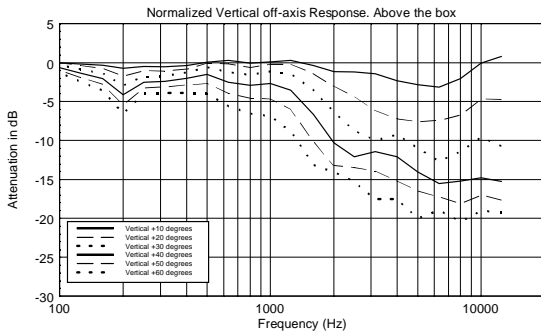
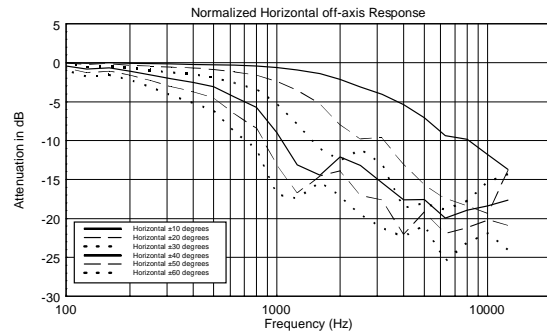
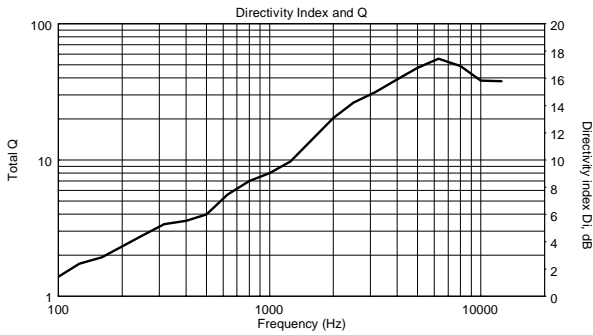
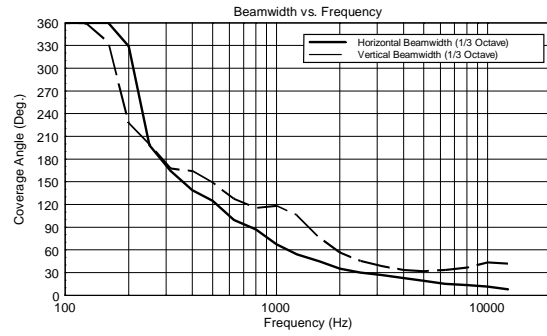
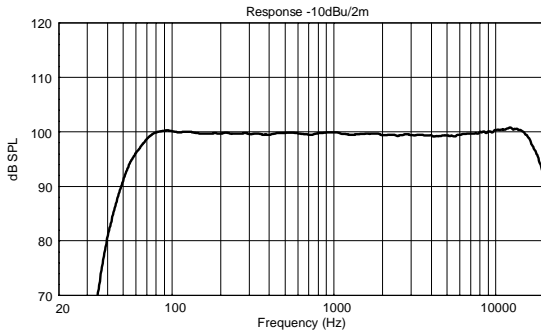




# Q 15-P

## TWO-WAY POINT SOURCE MODULE

### ACOUSTIC MEASUREMENTS

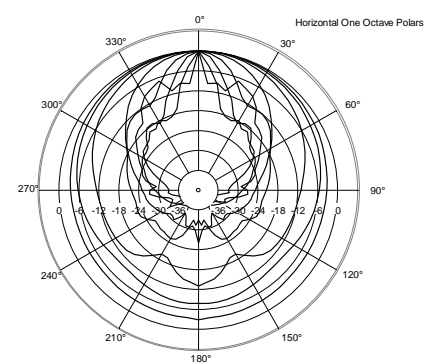
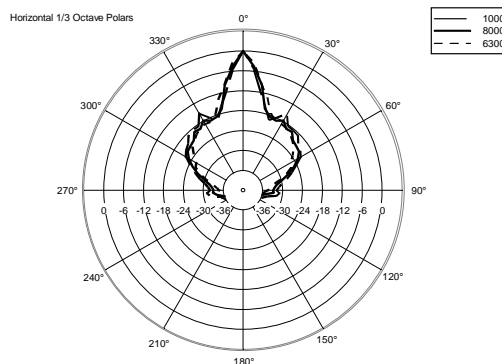
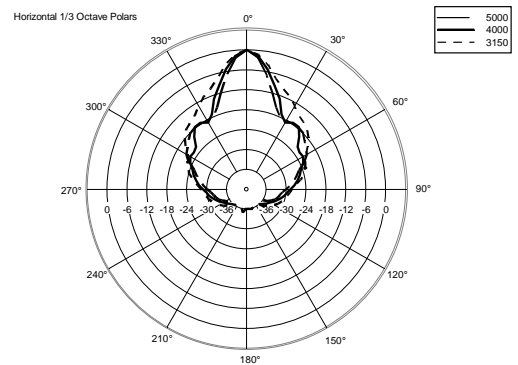
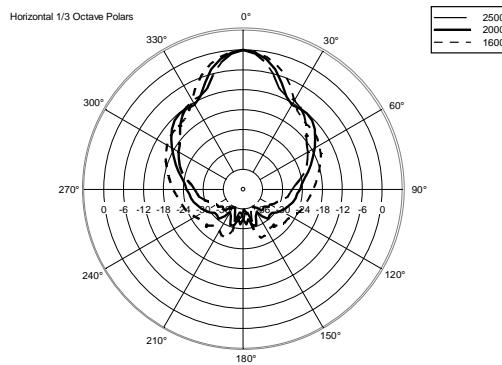
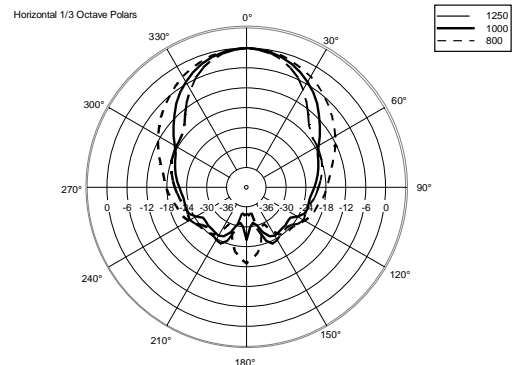
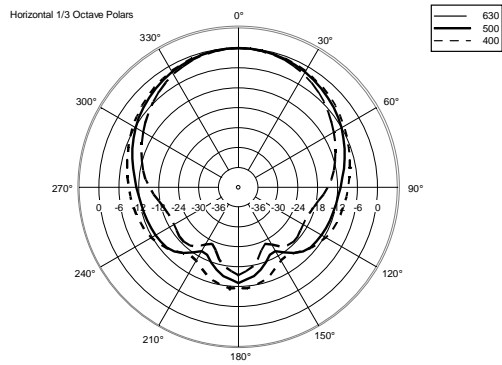
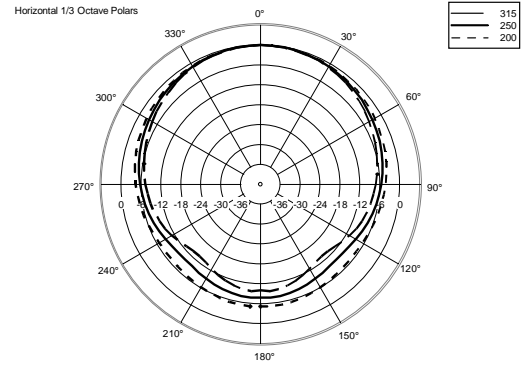
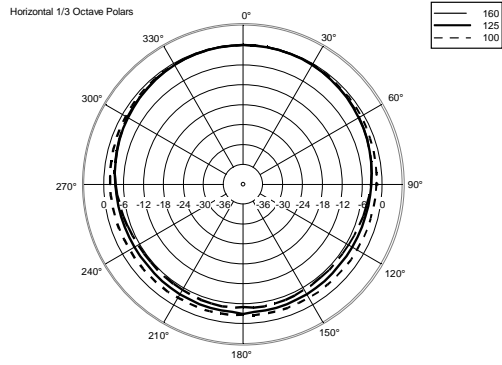




# Q 15-P

## TWO-WAY POINT SOURCE MODULE

### ACOUSTIC MEASUREMENTS





# Q 15-P

## TWO-WAY POINT SOURCE MODULE

### ACOUSTIC MEASUREMENTS

