

BM 3003

3 ZONE PAGING MICROPHONE

DESCRIPTION

The BM 3003 paging microphone allows to make selective calls to 3 zones and is the ideal complement of the RCF ES 3323 mixer amplifier (with tuner and CD/USB-MP3 player inside).

The inputs 2 and 3 of the RCF ES 3323 amplifier have a RJ 45 port (each) to connect a BM 3003 paging microphone quickly and directly (through CAT 5 cable) or a line made of max.12 BM 3003 paging microphones by using 1 or more additional power supply units.



FEATURES

- Plastic body with 300 mm gooseneck
- PTT button with LED, Zone buttons with LED
- Power supplied by 'Phantom' (18 ÷ 48 V dc) for the BM 3003 directly connect to the ES 3323
- It can be directly connected to ES 3323 amplifiers
- External power supply AC AD2405 to be used on all BM 3003 connect to other BM 3003
- Lines of max. 12 BM 3003 paging microphones
- Polyurethane foam wind screen
- 5 m connecting cable (with RJ 45 plugs) included

TECHNICAL SPECIFICATIONS

Microphone specifications	Type:	Desktop paging microphone with electret capsule
	Directivity:	Cardioid
	Sensitivity:	-65 dB
	Frequency Response (-3dB):	50 Hz ÷ 18 kHz
	Minimum load impedance (ohm):	470.00 ohm
	Nominal output voltage @3.3 kohm (mV RMS):	100.00 mV RMS
Console specifications	Console Type:	Paging
	General call:	Yes
	Selective call:	Yes
	Number of zones:	3
	LED indicators:	Yes
Power requirement	Power consumption:	2.80 mA
Connections	Connectors:	RJ45
Functionalities	Smart PTT:	Yes
Accessories	Cable included:	Yes
	Cable length (m):	5
Physical specifications	Cabinet/Case Material:	Plastic
Size	Height:	48 mm / 1.89 inches
	Width:	100 mm / 3.94 inches
	Depth:	159 mm / 6.26 inches
	Weight:	0.73 kg / 1.61 lbs
Shipping information	Package Height:	144 mm / 5.67 inches
	Package Width:	329 mm / 12.95 inches
	Package Depth:	129 mm / 5.08 inches
	Package Weight:	1.28 kg / 2.82 lbs

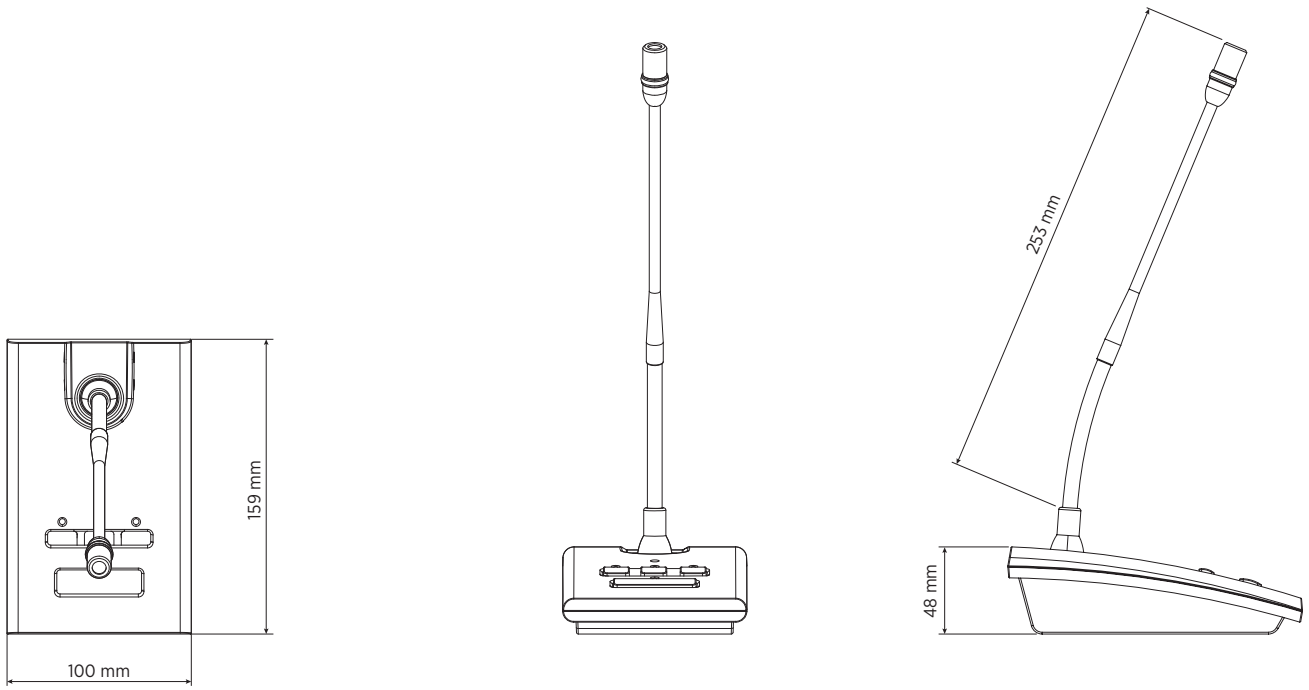
PART NUMBER

- **14322012**

BM 3003

EAN 8024530006617

DRAWINGS



PANELS

Front panel

