

BM 3022

PAGING MICROPHONE

DESCRIPTION

Gooseneck microphone with hi-quality unidirectional electret capsule Direct connection to power amplifiers input through CAT5 cable Adjustable line output with RJ45 connector Switchable automatic gain control (AGC) Up to 30 BM 3022 paging microphones can be linked in a 'daisy-chain' Selectable mixing, interlocking or priority mode among devices When activating a microphone, the announcement can be preceded by a chime.



FEATURES

- Up to 30 BM 3022 paging microphones can be linked in a 'daisy-chain'

TECHNICAL SPECIFICATIONS

Microphone specifications	Type:	Desktop paging microphone with electret capsule
	Directivity:	Cardioid
	Sensitivity:	-65 dB
	Frequency Response (-3dB):	200 Hz ÷ 7 kHz
	Output impedance (ohm):	130.00 ohm
	Minimum load impedance (ohm):	470.00 ohm
	Signal / Noise ratio @1kHz:	82.00 dB
	Total harmonic distortion @1 kHz:	0.65 %
Console specifications	Console Type:	Paging
	Working with	DXT 3000
	General call:	Yes
	Preamplified:	Yes
	LED indicators:	Yes
Power requirement	Operating voltage:	24.00V - Hz
	Power consumption:	2.80 mA
Connections	Connectors:	RJ45
Functionalities	Priority:	Yes
	VOX facility:	Yes
	Chime tone generator:	Yes
	Smart PTT:	Yes
	Automatic gain control:	Yes
Accessories	Cable included:	Yes
	Cable length (m):	5
Standard compliance	CE marking:	Yes
Physical specifications	Cabinet/Case Material:	Plastic
	Color:	Grey
Size	Height:	48 mm / 1.89 inches
	Width:	100 mm / 3.94 inches
	Depth:	159 mm / 6.26 inches
	Weight:	0.74 kg / 1.63 lbs
Shipping informations	Package Height:	144 mm / 5.67 inches
	Package Width:	329 mm / 12.95 inches
	Package Depth:	129 mm / 5.08 inches
	Package Weight:	1.18 kg / 2.6 lbs



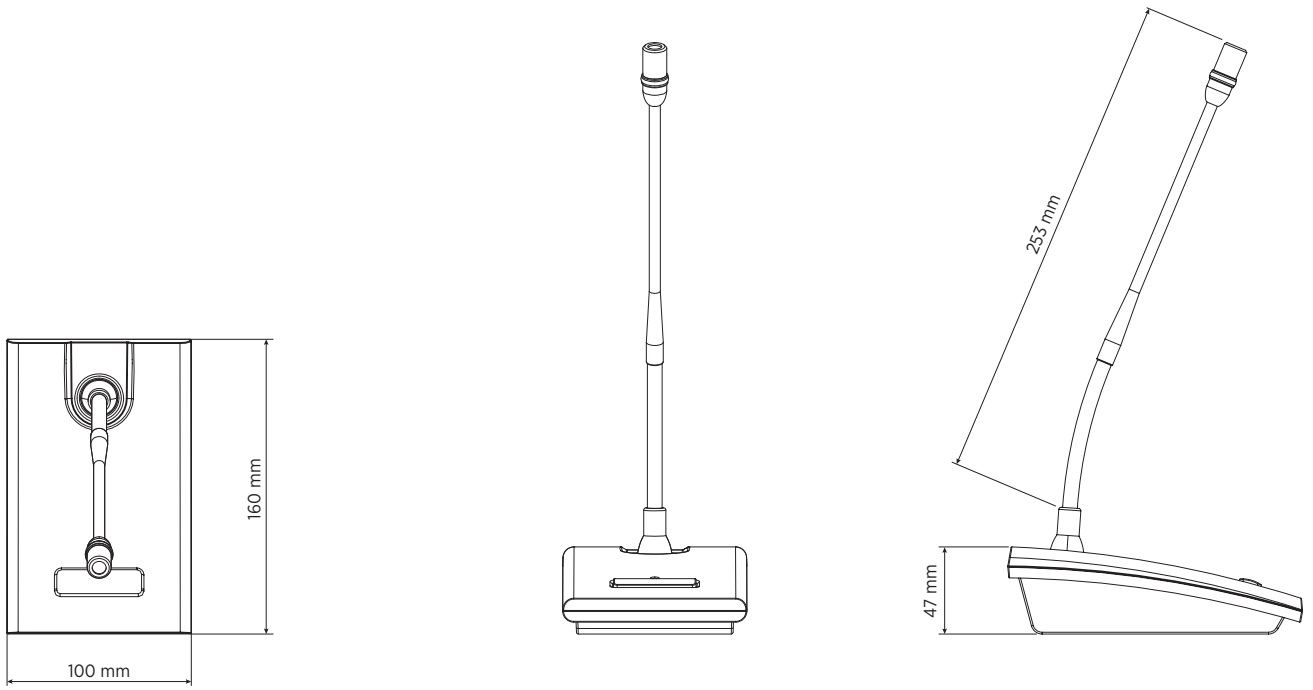
PART NUMBER

- **14322013**

BM 3022

EAN 8024530007034

DRAWINGS



PANELS

Front panel

