



# C 5215-94

TWO-WAY PASSIVE SPEAKER



## Description

C5215-94 The C5215-94 is a full range extremely versatile controlled narrow dispersion two-way loudspeaker system for medium throw applications.

The high-frequency section is a constant directivity horn loaded to a 2" neodymium compression driver with a 2.5" diaphragm assembly for smooth, controlled dispersion. The 90° x 40° horn design offers higher sensitivity for longer distance applications. The low-frequency transducer is a 15" woofer with a 3" voice coil. The crossover is easily bypassed for bi-amp via a recessed changeover switch.

## Features

- › 90° x 40° CMD (Coverage Matching Design) constant directivity horn
- › 2" compression driver with 2,5" diaphragm assembly
- › 15" woofer with 3" voice coil
- › Dual-function design: built in passive crossover or external bi-amp
- › Rotatable Horn System for horizontal cabinet mounting applications
- › HF driver AMCDP (Active Mosfet Compression Driver Protection)
- › LICC (Low Impedance Compensated Crossover) network
- › 14 Suspension points (M10)
- › 35 mm standard internal pole mount

## Part Number

13000309 C 5215-94

8ohm

Black

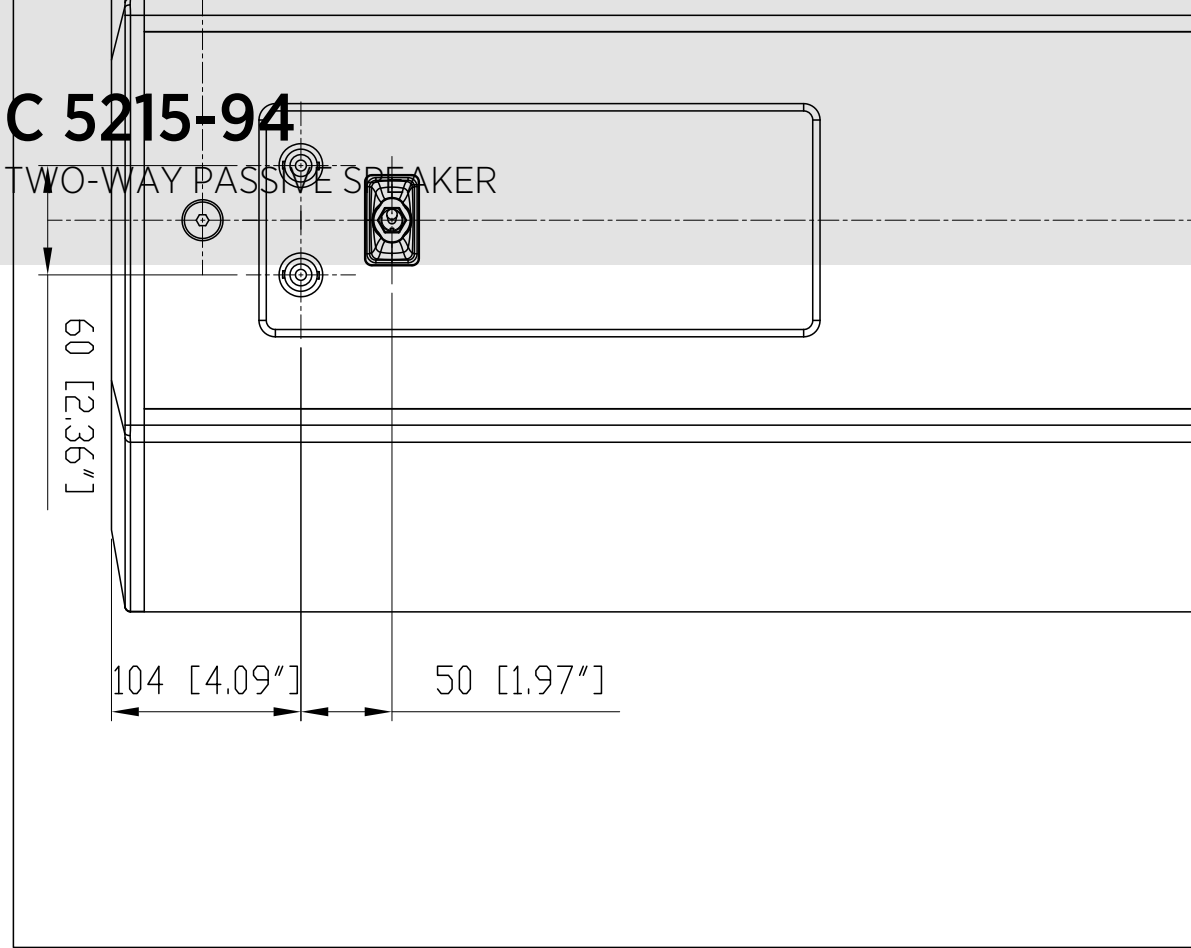
EAN 8024530009274



# C 5215-94

TWO-WAY PASSIVE SPEAKER

Line Art 2D



## TECHNICAL SPECIFICATIONS

|                                  |                            |   |               |
|----------------------------------|----------------------------|---|---------------|
| <b>Acoustical specifications</b> | Frequency Response (-10dB) | 48 Hz ÷ 20000 Hz                                |               |
|                                  | Max SPL @ 1m               | 133 dB  |               |
|                                  | Horizontal coverage angle  | 90°   |               |
|                                  | Vertical coverage angle    | 40°   |               |
|                                  | Directivity index Q        | 14  |               |
|                                  | System Sensitivity         | 100 dB  |               |
| <b>Power section</b>             | Amplification              | Full Range                                      |               |
|                                  | Nominal Impedance          | 8 ohm   |               |
|                                  | Power Handling             | 500 W   |               |
|                                  | Peak Power Handling        | 2000 W PEAK                                     |               |
|                                  | Protections                | Dynamic active mosfet                           |               |
|                                  | Crossover Frequencies      | 1200 Hz   |               |
|                                  | Recommended Amplifiers     | QPS 10K, QPS 6.0K, IPS 5.0K, IPS 2.5K, IPS 1.5K |               |
| <b>Transducers</b>               | Compression Driver         | 1.4", 2.5" v.c                                  |               |
|                                  | Woofer                     | 15", 3.0" v.c                                   |               |
| <b>Input/Output section</b>      | Input connectors           | Speakon® NL4                                    |               |
|                                  | Output connectors          | Speakon® NL4                                    |               |
| <b>Standard compliance</b>       | Safety agency              | CE compliant                                    |               |
| <b>Physical specifications</b>   | Hardware                   | 14 x M10, multiplates (top and bottom)          |               |
|                                  | Color                      | Black   |               |
| <b>Size</b>                      | Height                     | 695 mm / 27.36 inches                           |               |
|                                  | Width                      | 430 mm / 16.93 inches                           |               |
|                                  | Depth                      | 460 mm / 18.11 inches                           |               |
|                                  | Weight                     | 35 kg / 77.16 lbs                               |               |
|                                  |                            |   |               |
| <b>Rigging / Mounting</b>        | <b>ACCESSORIES</b>         |   |               |
|                                  | FL-BR NC 12-15             | 13360201  | 8024530007478 |
|                                  | H-BR 2X NC15               | 13360193  | 8024530007409 |
|                                  |                            |   |               |