



FL-B LINK HDL 10-15 2X

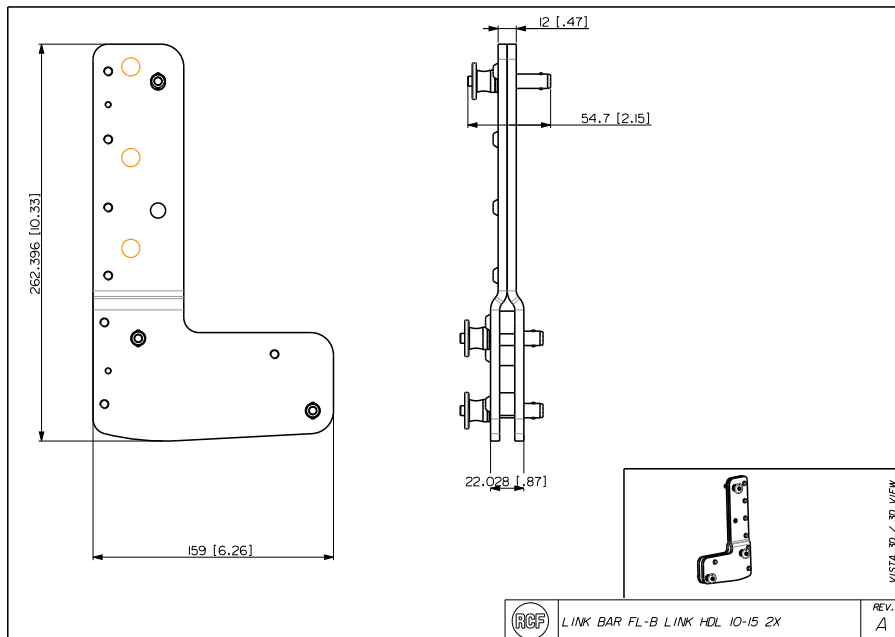
LINK BAR FOR HDL 10-A AND HDL 15-AS



Description Link bar for HDL 10-A and HDL 15-AS. Pins included. (two pieces)

| | | |
|--------------------------------|---------------|------------------|
| Standard compliance | Safety agency | CE compliant |
| Size | Weight | 4.4 kg / 9.7 lbs |
| Physical specifications | Color | Black |

Line Art 2D



| | | | |
|--------------------|------------------------------------|-------|-------------------|
| Part Number | FL-B LINK HDL 10-15 13360296 2X | Black | EAN 8024530016456 |
|--------------------|------------------------------------|-------|-------------------|

Technical Specifications

Products are continually improved. All specifications are therefore subject to change without notice.