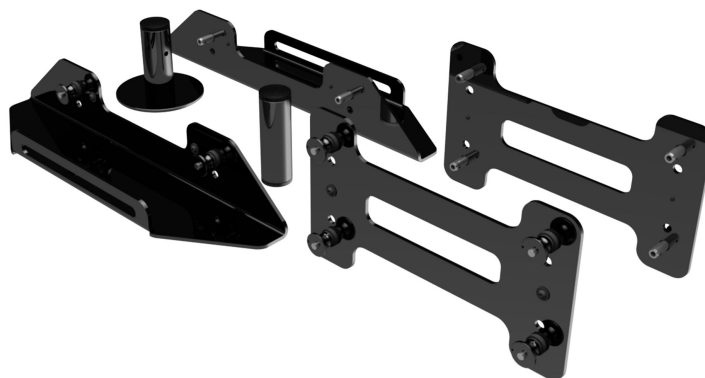


# FL-B LINK NXL 44

## LINK ACCESSORY

### DESCRIPTION

Accessory to link a second NXL 44-A to a flying NXL 44-A (straight or 2 angles)



**TECHNICAL SPECIFICATIONS**

<b>Standard compliance</b>	CE marking:	Yes
<b>Physical specifications</b>	Color:	Black
<b>Size</b>	Weight:	4 kg / 8.82 lbs
<b>Shipping informations</b>	Package Height:	55 mm / 2.17 inches
	Package Width:	320 mm / 12.6 inches
	Package Depth:	270 mm / 10.63 inches
	Package Weight:	4.5 kg / 9.92 lbs

**PART NUMBER**

- **13360346**

FL-B LINK NXL 44

EAN 8024530013639

