

HF66

PRO HF HORN

DESCRIPTION

1-inch/1.4 inch Throat Adaptor. 60° x 60° Constant Directivity Coverage. Thick Aluminum Body for best heat dissipation in conjunction to Neodimium Compression Drivers. Perfectly Controlled Dispersion



FEATURES

- 1.4 inch Throat Adaptor
- 60° x 60° Constant Directivity Coverage
- Loading down to 500 Hz
- Thick Aluminum Body for best heat dissipation in conjunction to Neodimium Compression Drivers
- Perfectly Controlled Dispersion

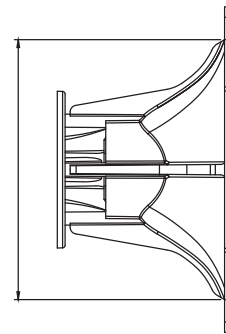
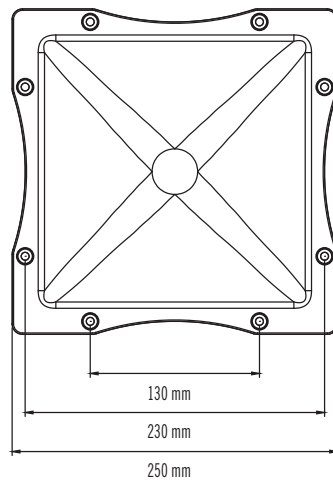
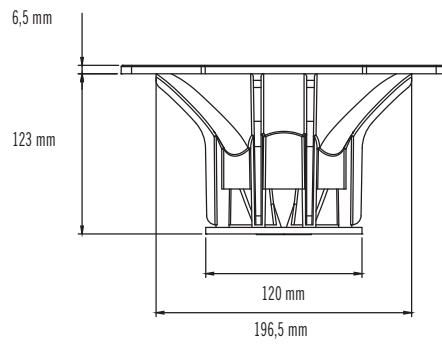
TECHNICAL SPECIFICATIONS

| | | |
|-------------------------------|----------------------------|----------------------------------|
| General specifications | Throat Diameter: | 25-36 mm / 1.0-1.4 inch |
| | Horizontal coverage angle: | 90° |
| | Vertical coverage angle: | 40° |
| | Cut-off Frequency: | 500 Hz |
| | Material: | Aluminium |
| Mounting informations | Overall height: | 250 mm / 9.84 inches |
| | Overall width: | 250 mm / 9.84 inches |
| | Overall depth: | 135 mm / 5.31 inches |
| | Baffle Cut-out height: | 205 mm / 8.07 inches |
| | Baffle Cut-out width: | 205 mm / 8.07 inches |
| | Mounting: | 4 x 7 mm holes, interaxes 101 mm |
| Size | Height: | 142 mm / 5.59 inches |
| | Diameter: | 250 mm / 9.84 inches |
| | Weight: | 1.35 kg / 2.98 lbs |
| Shipping informations | Package Height: | 160 mm / 6.3 inches |
| | Package Width: | 290 mm / 11.42 inches |
| | Package Depth: | 290 mm / 11.42 inches |
| | Package Weight: | 2.04 kg / 4.5 lbs |

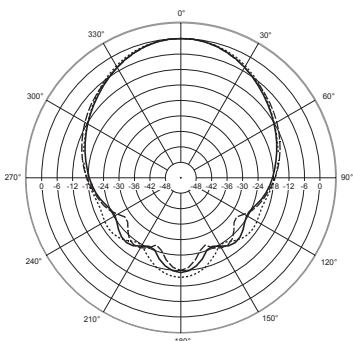
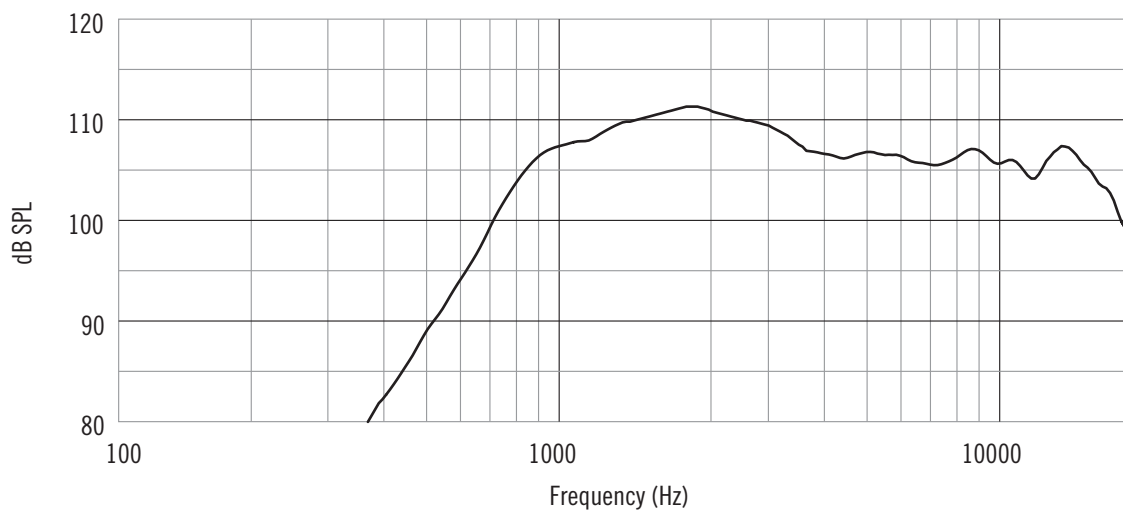
PART NUMBER

- **13133067**

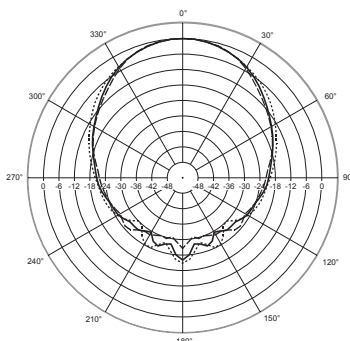
HF66



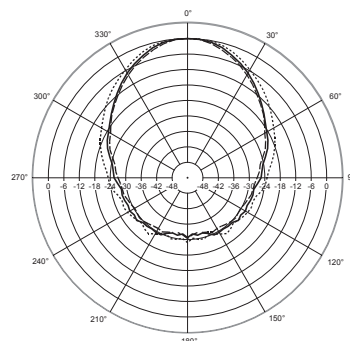
Response 1W/1m



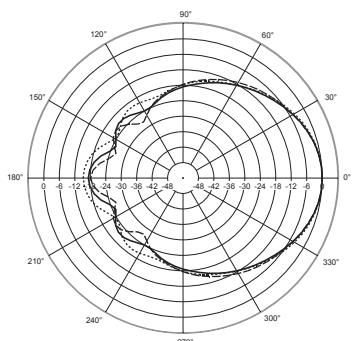
Horizontal 2000 Hz
1/3 Octave Polars



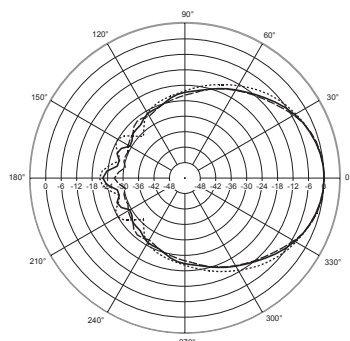
Horizontal 4000 Hz
1/3 Octave Polars



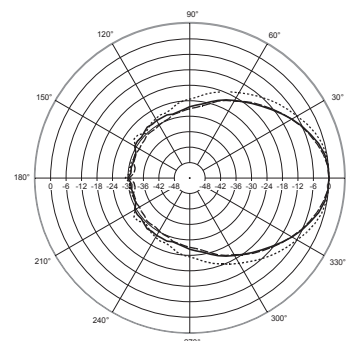
Horizontal 8000 Hz
1/3 Octave Polars



Vertical 2000 Hz
1/3 Octave Polars



Vertical 4000 Hz
1/3 Octave Polars



Vertical 8000 Hz
1/3 Octave Polars