



# P 6215

## WEATHERPROOF COAXIAL TWO-WAY SPEAKER



### Description

The P 6215 is a weatherproof full range, wide-dispersion, coaxial two-way loudspeaker system for very high output and long-throw applications. The speaker can be installed individually or coupled in array configurations. The low-frequency transducer is a 15" neodymium woofer, the high-frequency section combines a 1.3" neodymium RCF Precision compression driver with a 2.5" diaphragm assembly centrally mounted in the throat of the LF driver and loaded on a constant directivity CMD horn for smooth, wide dispersion. Internal circuit provides low crossover frequency for accurate vocal intelligibility and Active Mosfet Compression Driver Protection (AMCDP). The single-piece roto-molded cabinet is fully UV protected and meets IP-55 standard requirements, equipped with M10 brass inserts (12x), and one durable and corrosion-resistant 316P stainless steel U-Bracket with f spacers (2x) for 90° mounting. The aluminum grille cover is powder coated with water-repellent backing material and has a rotatable logo plate.

### Features

- > 600 W RMS power handling
- > 134 dB max SPL
- > 75 Hz ÷ 20000 Hz frequency range
- > 15" neodymium woofer, 3.0" v.c.
- > 2.5" v.c. neodymium compression driver
- > 60° x 60° constant directivity
- > Weatherproof IP55 cabinet with UV protection
- > Aluminum grille
- > AISI 316L stainless steel bracket
- > 12 suspension points (M10)

### Part Number

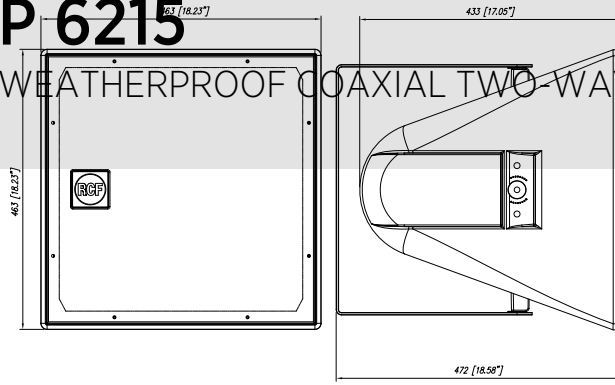
13000131	P 6215	8ohm	Grey	EAN 8024530008260
13100083	P 6215 W	8ohm	White - RAL 9003	EAN 8024530017521



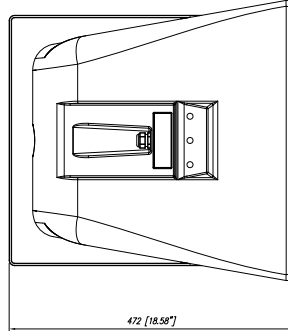
# P 6215

## WEATHERPROOF COAXIAL TWO-WAY SPEAKER

Line Art 2D



P3115  
P6215  
P8015



### TECHNICAL SPECIFICATIONS

<b>Acoustical specifications</b>	Frequency Response (-10dB)	75 Hz ÷ 20000 Hz
	Max SPL @ 1m	134 dB
	Horizontal coverage angle	60°
	Vertical coverage angle	60°
	Directivity index Q	13
	System Sensitivity	100 dB
<b>Power section</b>	Amplification	Full Range
	Nominal Impedance	8 ohm
	Power Handling	600 W
	Peak Power Handling	2400 W PEAK
	Protections	Dynamic active mosfet
<b>Transducers</b>	Crossover Frequencies	1100 Hz
	Compression Driver	1.3" neo, 2.5" v.c
	Woofers	Coaxial 15" neo, 3.0" v.c
<b>Input/Output section</b>	Input connectors	Neoprene Cable
<b>Standard compliance</b>	IP protection grade	IP 55
	Safety agency	CE compliant
<b>Physical specifications</b>	Cabinet/Case Material	PE Low Density
	Hardware	12 x M10 + U-Bracket and Pair of spacers
	Grille	Aluminum with waterproof clothing
	Color	Grey, White - RAL 9003
	<b>Size</b>	Height
Width		463 mm / 18.23 inches
Depth		433 mm / 17.05 inches
Weight		17 kg / 37.48 lbs
<b>ACCESSORIES</b>		
	<b>Rigging / Mounting</b>	C-BR 2X P15