



V 35

FULL RANGE PASSIVE TWO-WAY SPEAKER



Description

The V 35 is a full range, extremely versatile controlled dispersion two-way loudspeaker system. This offers substantial power and efficiency for a variety of professional applications that include portable systems, primary sound reinforcement, plus permanent installations and supplementary fill for larger systems. The high-frequency section is a constant directivity CMD horn designed mathematically for Coverage Matching Design in relation to the woofer system, loaded on a neodymium compression driver with a 3.0" titanium diaphragm assembly for smooth, controlled dispersion. The low-frequency transducer is a high power 15" woofer with a 4.0 " voice coil.

Features

- › High power, two-way bass reflex full range system
- › 15" high power, 4" voice coil hypervented woofers
- › 1 x 3" high power titanium neo compression driver
- › 132 dB max SPL
- › 900 Watt AES
- › Very high output, response down to 40 Hz
- › Birch plywood cabinet
- › Weather resistant, textured, polyurea finish
- › Epoxy powder coated front grille

Part Number

13000412 V 35

Black

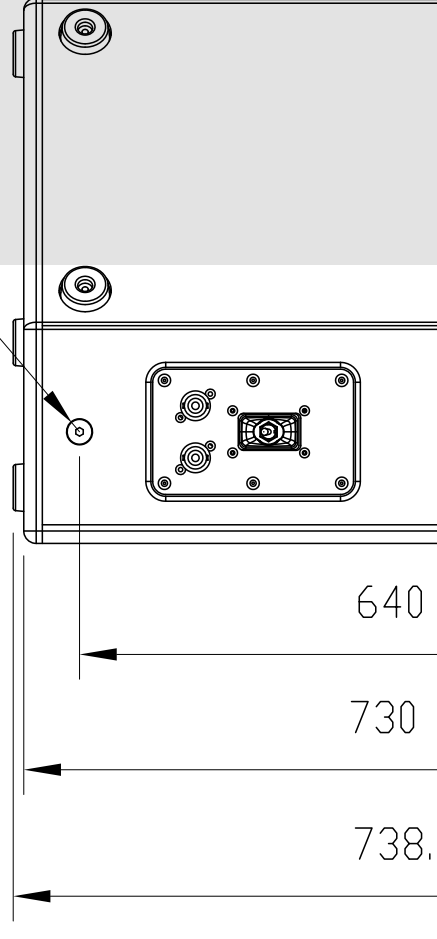
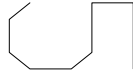
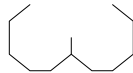
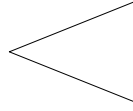
EAN 8024530010966



V 35

FULL RANGE PASSIVE TWO-WAY SPEAKER

Line Art 2D



TECHNICAL SPECIFICATIONS

Acoustical specifications	Frequency Response (-10dB)	40 Hz ÷ 20000 Hz
	Max SPL @ 1m	132 dB
	Horizontal coverage angle	90°
	Vertical coverage angle	40°
	Directivity index Q	10
	System Sensitivity	97 dB
Power section	Nominal Impedance	8 ohm
	Power Handling	900 W
	Peak Power Handling	3600 W PEAK
	Crossover Frequencies	1400 Hz
Transducers	Compression Driver	1.4" neo, 3.0" v.c
	Woofers	15", 4.0" v.c
Input/Output section	Input connectors	Speakon® NL4
	Output connectors	Speakon® NL4
Standard compliance	Safety agency	CE compliant
Physical specifications	Cabinet/Case Material	Baltic birch plywood
	Hardware	10 x M10 inserts
	Handles	1 side
	Pole mount/Cap	35 mm insert
	Grille	Steel
	Color	Black
	Size	Height
	Width	440 mm / 17.32 inches
	Depth	350 mm / 13.78 inches
	Weight	31 kg / 68.34 lbs