



V-BR 2X COMPACT M 08

PAIR OF VERTICAL BRACKETS



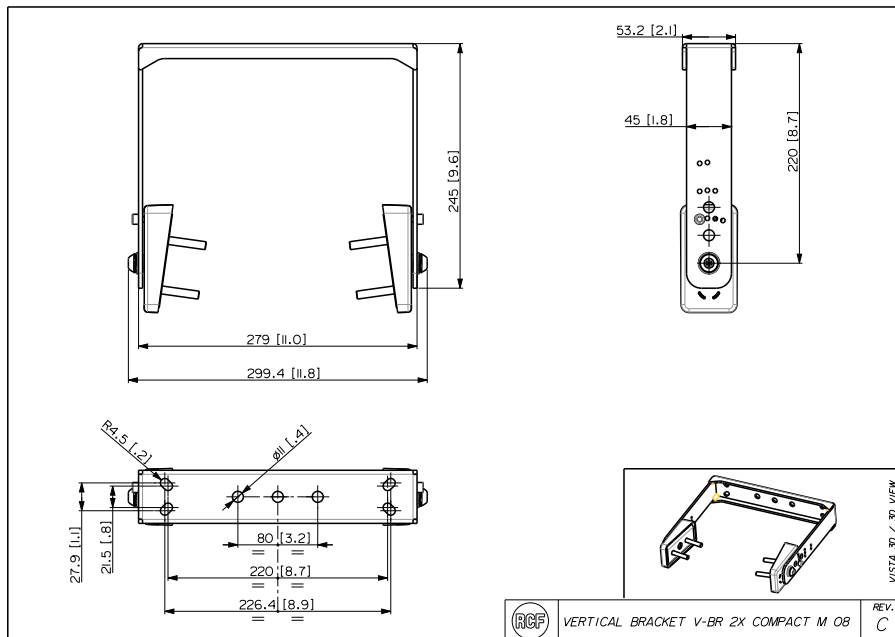
Description Pair of vertical brackets for COMPACT M 08 speakers wall mounting.

Standard compliance Safety agency CE compliant

Size Weight 3.2 kg / 7.05 lbs

Physical specifications Color Black - RAL 9005, White - RAL 9003

Line Art 2D



Part Number V-BR 2X COMPACT M

13360446 08

Black - RAL 9005 EAN 8024530018290

V-BR 2X COMPACT M

13360465 08 W

White - RAL 9003 EAN 8024530019655

Technical Specifications

Products are continually improved. All specifications are therefore subject to change without notice.