



V-BR TT 10

VERTICAL BRACKET



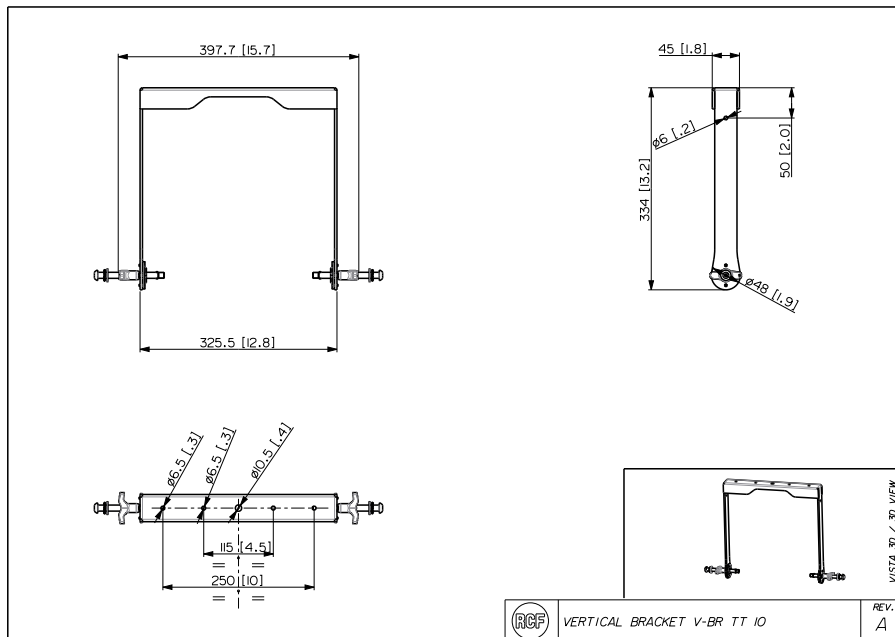
Description

Standard compliance
Size
Physical specifications

Safety agency
Weight
Color

CE compliant
1.6 kg / 3.53 lbs
Black

Line Art 2D



Part Number

13360401 V-BR TT 10

Black

EAN 8024530016302

Technical Specifications

Products are continually improved. All specifications are therefore subject to change without notice.