

# USER MANUAL MANUALE D'USO

## **MF 33EN WMF 33EN**

- Speakers in compliance with EN 54-24 standard
- Diffusori acustici conformi alla norma EN 54-24





0068

RCF S.p.A. - Via Raffaello Sanzio 13, 42124 Reggio Emilia, ITALY

19

0068/CPR/057-2019

EN 54-24:2008

Loudspeaker for voice alarm systems  
for fire detection and fire alarm systems for buildings

MF 33EN / WMF 33EN

Type A

DoP: 001\_19

Other technical data: see operational manual.

All EN54-24:2008 standard requirements are verified in the RCF S.p.A.  
manufacturing plant site in Via Raffaello Sanzio 13, 42124 Reggio Emilia, ITALY.

Tutti i requisiti di conformità alla normativa EN54-24:2008 sono verificati nello  
stabilimento produttivo di RCF S.p.A., Via Raffaello 13, 42124 Reggio Emilia, ITALY.

The Declaration of Performance is available on the RCF website ([www.rcf.it](http://www.rcf.it)),  
in the DOWNLOADS section of the product page.

La Dichiarazione di Prestazione è disponibile sul sito web RCF ([www.rcf.it](http://www.rcf.it)),  
nella sezione DOWNLOADS della pagina del prodotto.



<b>ENGLISH</b>	
SAFETY PRECAUTIONS	4
DESCRIPTION	6
CONNECTION	6
INSTALLATION	9
SPECIFICATIONS	13
TECHNICAL DRAWINGS	14
<b>ITALIANO</b>	
AVVERTENZE PER LA SICUREZZA	16
DESCRIZIONE	18
COLLEGAMENTO	18
INSTALLAZIONE	21
DATI TECNICI	25
DISEGNI TECNICI	26

**IMPORTANT NOTES**

Before connecting and using this product, please read this user manual carefully and keep it on hand for future reference. This manual is to be considered an integral part of this product and must accompany it when it changes ownership as a reference for correct installation and use as well as for the safety precautions.

RCF S.p.A. will not assume any responsibility for the incorrect installation and / or use of this product.

**SAFETY AND OPERATING PRECAUTIONS**

1. All the precautions, in particular the safety ones, must be read with special attention, as they provide important information.
2. Speaker lines (amplifier outputs) can have a sufficiently high voltage (i.e. 100-70 V) to involve a risk of electrocution: never install or connect speakers when the line is alive.
3. Make sure all connections have been made correctly and the input voltage of every speaker is suitable for the amplifier output.
4. Protect speaker lines from damage. Make sure they are positioned in a way that they cannot be stepped on or crushed by objects.
5. Make sure that no objects or liquids can get inside speakers, as this may cause a short circuit.
6. Never attempt to carry out any operations, modifications or repairs that are not expressly described in this manual.  
Contact your authorized service centre or qualified personnel should any of the following occur:
  - A speaker does not function (or works in an anomalous way).
  - A cable has been damaged.
  - Objects or liquids have got inside a speaker.
  - A speaker has been damaged due to heavy impacts or fire.
7. Should a speaker emit any strange smell or smoke, remove it from the line after having immediately switched the amplifier off.
8. Do not connect speakers to any equipment or accessories not foreseen. For suspended installation, only use the dedicated anchoring points and do not try to hang speakers by using elements that are unsuitable or not specific for this purpose.  
Also check the suitability of the support surface to which the product is anchored (wall, ceiling, structure, etc.) and the components used for attachment (wall plugs, screws, brackets not supplied by RCF, etc.), which must guarantee the security of the system / installation over time, also considering, for example, the mechanical vibrations normally generated by transducers.
9. **RCF S.p.A.** strongly recommends that speakers are only installed by professional qualified installers (or specialised firms) who can ensure a correct installation and certify it according to the regulations in force. The entire audio system must comply with the current standards and regulations regarding electrical systems.

**IMPORTANT NOTES****SAFETY AND OPERATING  
PRECAUTIONS**

**10.** Mechanical and electrical factors need to be considered when installing professional audio systems (in addition to those which are strictly acoustic, such as sound pressure, angles of coverage, frequency response, etc.).

**11. Hearing loss**

Exposure to high sound levels can cause permanent hearing loss. The acoustic pressure level that leads to hearing loss is different from person to person and depends on the duration of exposure.

To prevent potentially dangerous exposure to high levels of acoustic pressure, anyone who is exposed to these levels should use adequate protection devices.

When a transducer capable of producing high sound levels is being used, it is necessary to wear ear plugs or protective earphones.

See the technical specifications in this user manual to know the maximum sound pressure of each speaker.

**12.** To ensure a correct sound reproduction, speaker phase is to be respected (speakers are connected respecting the amplifier polarity).

This is important when speakers are installed adjacent one another, for instance, in the same room.

Make sure speaker lines are not shorted before turning the amplifier on.


**13.** To prevent inductive effects from causing hum, noise and a bad system working, speaker lines should not be laid together with other electric cables (mains), microphone or line level signal cables connected to amplifier inputs.

**14.** Speaker cables shall have wires with a suitable section (twisted, if possible, to reduce inductive effects due to surrounding electro-magnetic fields) and a sufficient electrical insulation.

Refer to local regulations since there may be additional requirements about cable characteristics.

**15.** Install every speaker far away from any heat source.

**16.** Do not use solvents, alcohol, benzene or other volatile substances for cleaning the external parts. Use a dry cloth instead.

With reference to IEC 62368-1, no safeguard is required for Instructed Persons when exposed to audio signal voltages up to 120 V. Caution symbols  placed adjacent to the connection terminals constitute adequate warning provisions as defined by the standard.

With regard to the protective earthing of metallic enclosures of loudspeakers incorporating an audio line transformer, and intended for distributed sound systems using constant-voltage amplifiers with rated output voltages of 70.7 V or 100 V without a reference to ground or earth, the connection of the loudspeaker enclosure - comprising the transducer, transformer, passive crossover networks, and related components - to protective earth is not required, unless explicitly mandated by specific installation or local wiring regulations.

RCF S.p.A. thanks you for purchasing this product, which has been designed to guarantee reliability and high performance

## DESCRIPTION



MF 33EN and WMF 33EN are two-way speakers in compliance with EN 54-24 standard.  
MF 33EN is the model for flush mounting, WMF 33EN for surface wall mounting.

Main features:

- Two 3" fullrange loudspeakers, 1" dome tweeter
- ABS housing
- Equipped with internal transformer for 100 / 70 V constant voltage lines, their input can also be set to '8 Ω' for low impedance connections
- Power selection is carried out by rotating the front selector (with a screwdriver), power taps: 40-20-10-5 W at 100 V, 40-20-10-5-2.5 W at 70V, 40 W at 8 Ω
- Ceramic terminal strip for the cable connection
- Thermal fuse (placed in the ceramic terminal strip) that prevents damages to the audio line due to heat on the speaker
- The front protection grille is fixed to the speaker thanks to 4 magnets
- Colour: black.

## CONNECTION



**WARNING:** SPEAKER CONNECTIONS SHOULD BE ONLY MADE BY QUALIFIED AND EXPERIENCED PERSONNEL HAVING THE TECHNICAL KNOW-HOW OR SUFFICIENT SPECIFIC INSTRUCTIONS TO ENSURE THAT CONNECTIONS ARE MADE CORRECTLY AND PREVENT ANY ELECTRICAL DANGER.

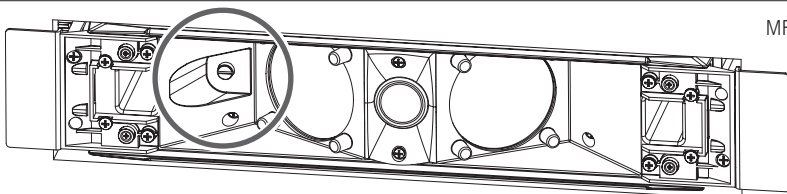
TO PREVENT ANY RISK OF ELECTRIC SHOCK, DO NOT CONNECT SPEAKERS WHEN THE AMPLIFIER IS SWITCHED ON. BEFORE TURNING THE SYSTEM ON, CHECK ALL CONNECTIONS AND MAKE SURE THERE ARE NO ACCIDENTAL SHORT CIRCUITS.

THE ENTIRE SOUND SYSTEM SHALL BE DESIGNED AND INSTALLED IN COMPLIANCE WITH THE CURRENT LOCAL LAWS AND REGULATIONS REGARDING ELECTRICAL SYSTEMS.

MAKE SURE ALL SPEAKERS ARE CONNECTED IN PHASE TO ENSURE A CORRECT SOUND REPRODUCTION.



Remove the front protective grille to have access to the power selector (a rotary switch).

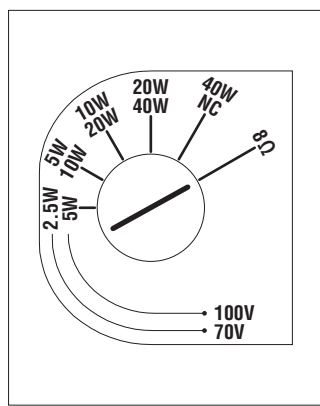


MF 33EN

## LOW IMPEDANCE CONNECTION (8 Ω)

### Set the power selector to 8 Ω.

- The total speaker impedance must not be lower than the amplifier output impedance.
- A speaker total impedance equal to the amplifier output one permits to get the maximum deliverable power (but a higher impedance entails less power).
- The total speaker power shall be adequate for the amplifier maximum deliverable power.
- Speaker lines shall be as short as possible (for long distances, it may be necessary to use cables with large cross-section wires).
- The impedance of a single speaker is 8 Ω. For example, the total impedance of the parallel of two speakers is 4 Ω (impedance = 8 / speaker number).

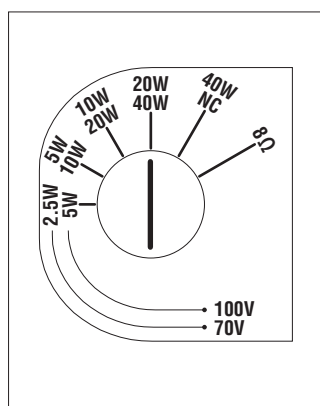


### POWER SELECTION WHEN LINKED TO 70 / 100 V CONSTANT VOLTAGE LINE

If this speaker is connected to a 70 / 100 V constant voltage line, select its proper power rate by turning its power selector (with a screw-driver) among the values 40 – 20 – 10 – 5 W (100 V) or 40 – 20 – 10 – 5 – 2.5 W (70 V).

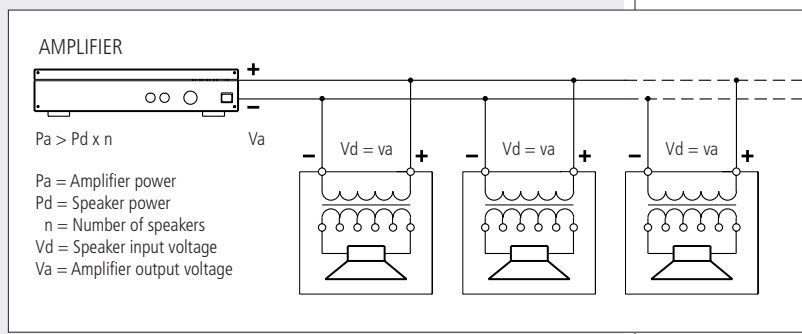
#### WARNING:

- **Do NOT select the 8 Ω position** (as this may damage the speaker and the amplifier)!
- **Do NOT select the 40 W – 70 V position when linked to a 100 V line!**



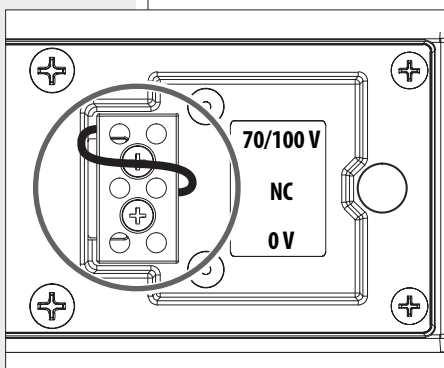
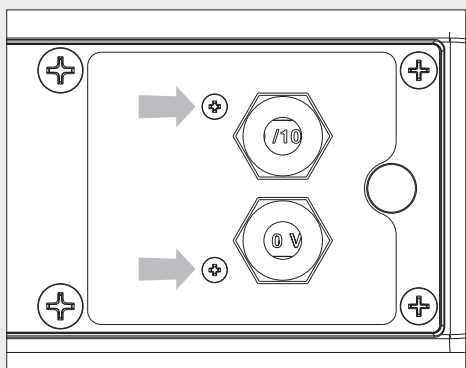
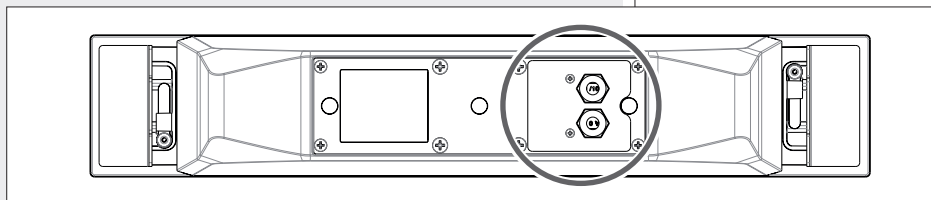
### NOTES ABOUT 70 / 100 V CONSTANT VOLTAGE LINES

- The speaker input voltage (Vd) shall correspond to the amplifier output voltage (Va).
- The sum of nominal power values (Pd x n) of all speakers connected to the line shall not exceed the amplifier power (Pa).



### Terminal strip connection (MF 33EN only)

Remove the rear protective cover having the two cable guides (by unscrewing its two screws) to access the ceramic terminal strip.

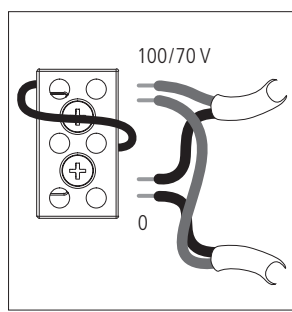


The two terminals ('70/100V' and '0V') allow to connect both input and output cables (to link other speakers in parallel).  
Applicable wire section: from 1 mm<sup>2</sup> to 4 mm<sup>2</sup>.

Insert the input cable through one of the two cable guides of the rear protective cover.

Connect the positive wire to the '70/100V' input and the negative wire to the '0V' input.

If necessary, connect in the same way the output cable (passing it through the other cable guide of the rear protective cover) to link other speakers in parallel.



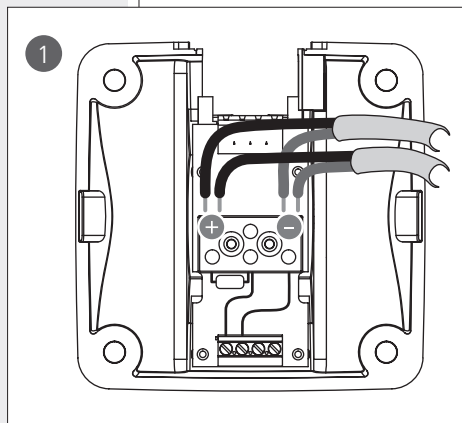
### Terminal strip connection (WMF 33EN only)

The ceramic terminal strip is on the back of the wall-mount support bracket.

The two terminals allow to connect both input and output cables (to link other speakers in parallel).

Applicable wire section: from 1 mm<sup>2</sup> to 4 mm<sup>2</sup>.

Connect both the positive (+) wires and the negative (-) wires as shown in the figure.



## INSTALLATION

**WARNING:** MAKE SURE ALL SPEAKERS ARE INSTALLED IN A STABLE AND SECURE WAY IN ORDER TO AVOID ANY CONDITIONS THAT MAY BE DANGEROUS FOR PERSONS OR STRUCTURES.

ENSURE THE SUPPORT SURFACE (WALLS, CEILINGS, ETC.) HAS THE NECESSARY MECHANICAL CHARACTERISTICS TO SUPPORT THE SPEAKER WEIGHT.

BEFORE INSTALLING EVERY SPEAKER, CAREFULLY CHECK ALL COMPONENTS TO BE USED AND MAKE SURE THERE IS NO DAMAGE, DEFORMATION, CORROSION AND/OR MISSING OR DAMAGED PARTS THAT COULD REDUCE THE SAFETY OF THE INSTALLATION.

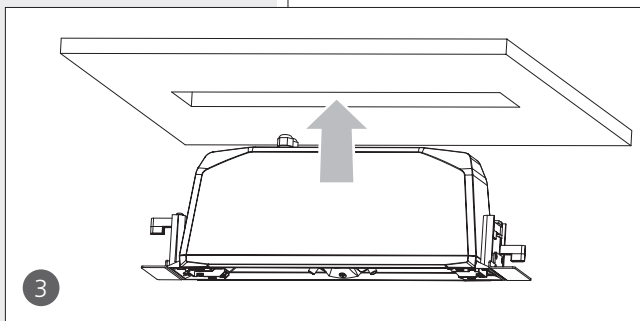
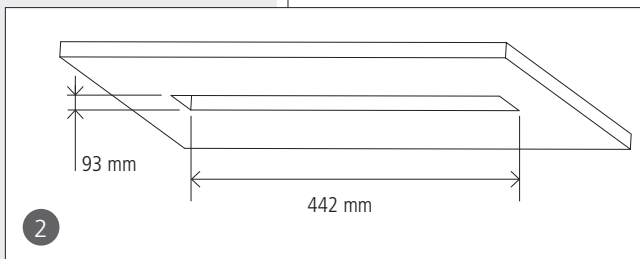


### MF 33EN

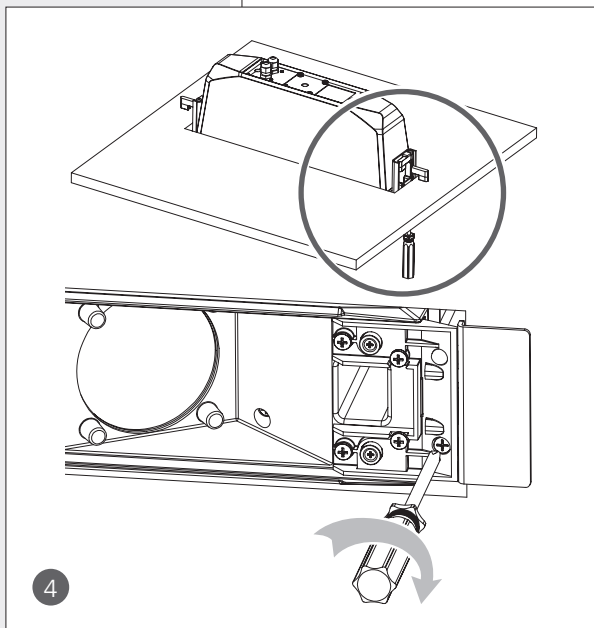
1 Connect the speaker as previously described in the 'Connection' manual section.

2 Make a 442 mm x 93 mm hole in the false ceiling tile.

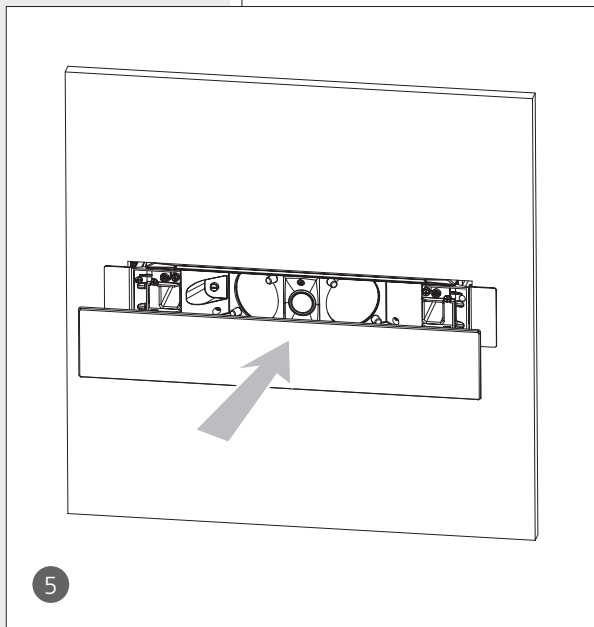
3 Fully insert the speaker into the hole.



- 4 Fix the speaker to the false ceiling tile by screwing the two screws (one per side, see the figures) to tighten the two clamps.

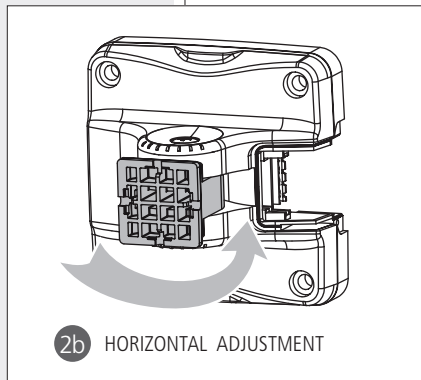
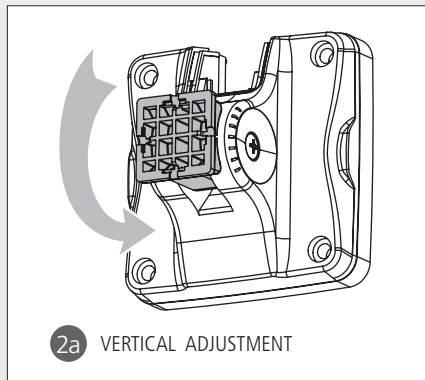


- 5 Refit the front protective grille, which is fixed to the speaker thanks to 4 magnets.

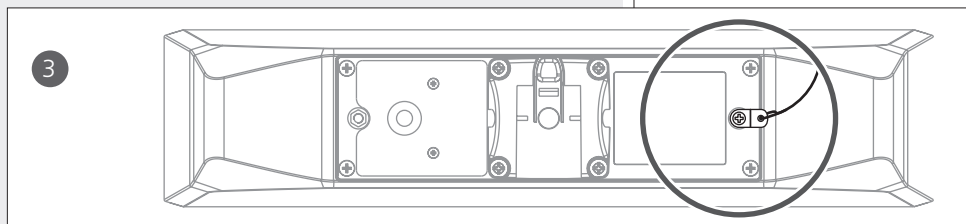


## WMF 33EN

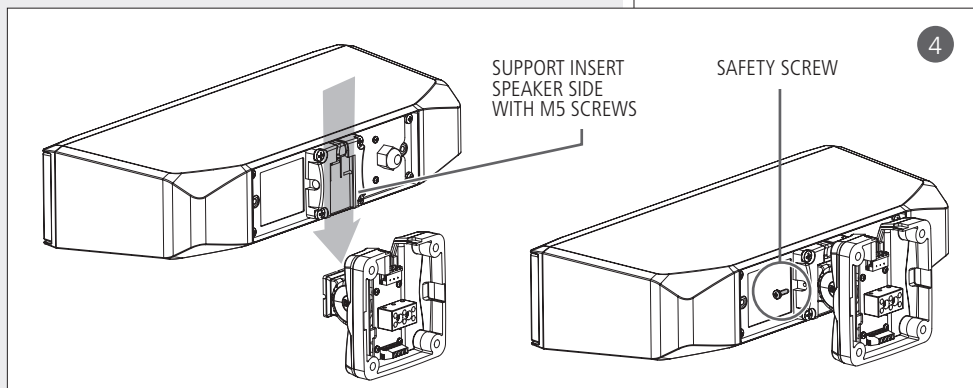
- 1 Electrically connect the ceramic terminal (on the back of the wall-mount support bracket) as previously described in the 'Connection' manual section.
- 2 Choose how to fix the wall-mount support bracket: either for vertical or horizontal orientation.  
Fix the bracket to the wall through four M6 wall plugs.



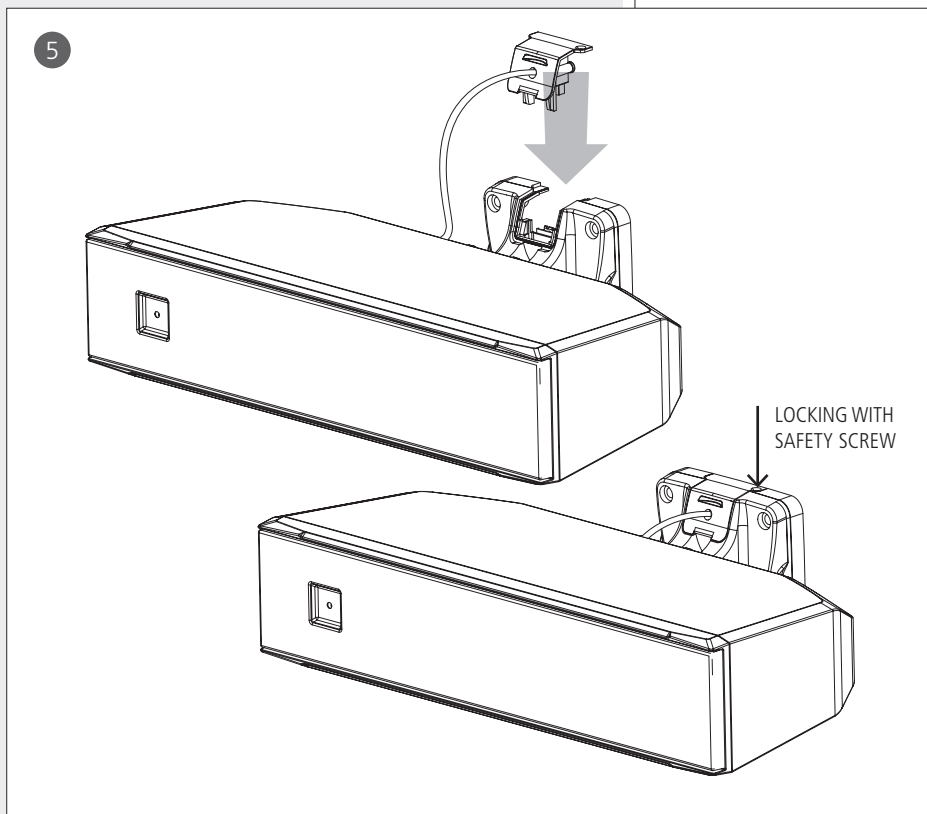
- 3 Connect one end of the safety wire to the back of the speaker with the supplied screw.



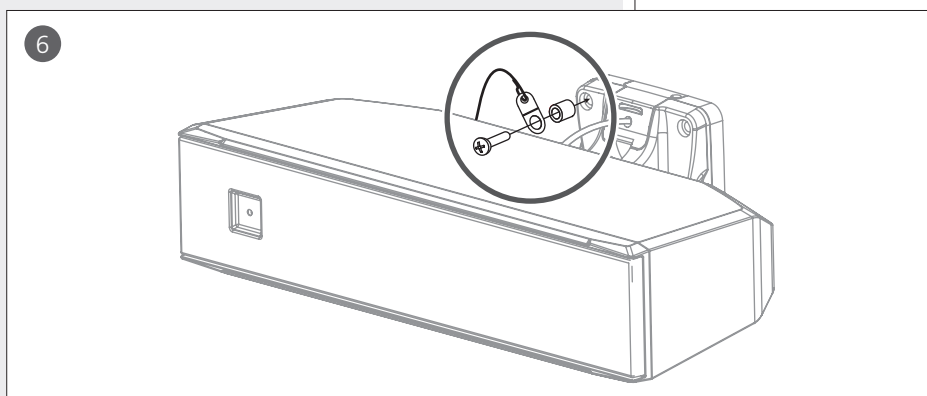
- 4 Insert the speaker on the wall-mount support bracket and then tighten the safety screw. Adjust the speaker to the desired angle before tightening the bracket screw as well.



- 5 Electrically connect the speaker to the wall-mount support bracket by inserting its cable connector from the top (as shown in the figures), then lock it by tightening its safety screw.



- 6 Connect the other end of the safety wire to the wall support by using the supplied spacer. The screws for fixing the wall support are not included.



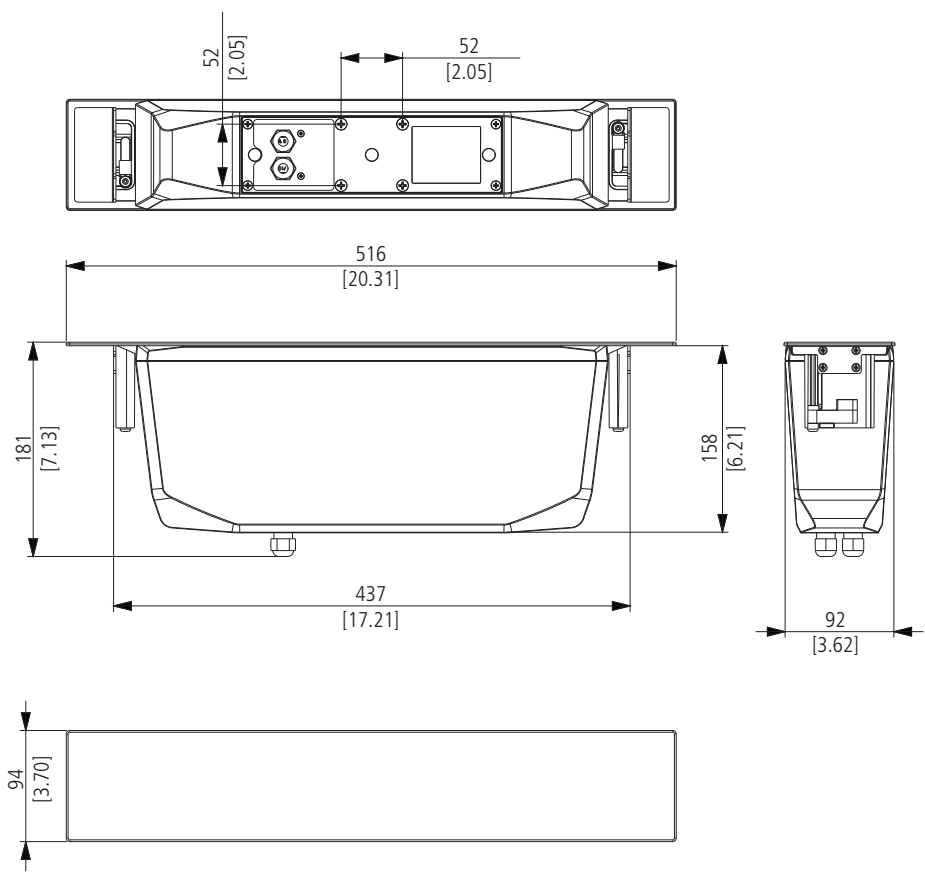


	MF 33EN	WMF 33EN
<b>ACOUSTICAL / ELECTRICAL S.</b>		
Transducers:	- 2 x 3" fullrange" - 1" dome tweeter	
Frequency response (-10 dB):	100 Hz ÷ 18 kHz	
Horizontal coverage angle:	120°	
Vertical coverage angle:	90°	
Sensitivity:	91 dB (1 W, 1 m); 79 dB (1 W, 4 m)	
Max. sound pressure level:	107 dB (40 W, 1 m); 95 dB (40 W, 4 m)	
Power handling:	100 V: 40 – 20 – 10 – 5 W 70 V: 40 – 20 – 10 – 5 – 2.5 W 8 Ω: 40 W (RMS)	
Nominal input impedance:	8 – 250 – 500 Ω 1 – 2 – 4 kΩ	
Input / output connector:	ceramic terminal strip	
<b>PHYSICAL SPECIFICATIONS</b>		
Cabinet material:	ABS	
Front protective grille:	steel	
Colour:	black	
Net weight:	5 kg (11 lbs.)	
Width:	516 mm (20.31")	399 mm (15.71")
Height:	94 mm (3.70")	92 mm (3.62")
Depth:	181 mm (7.13")	236 mm (9.29") (with bracket)
Recessed depth:	178 mm (7.01")	---



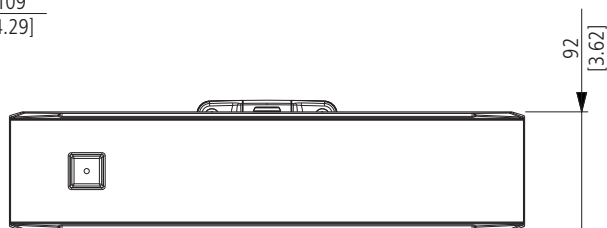
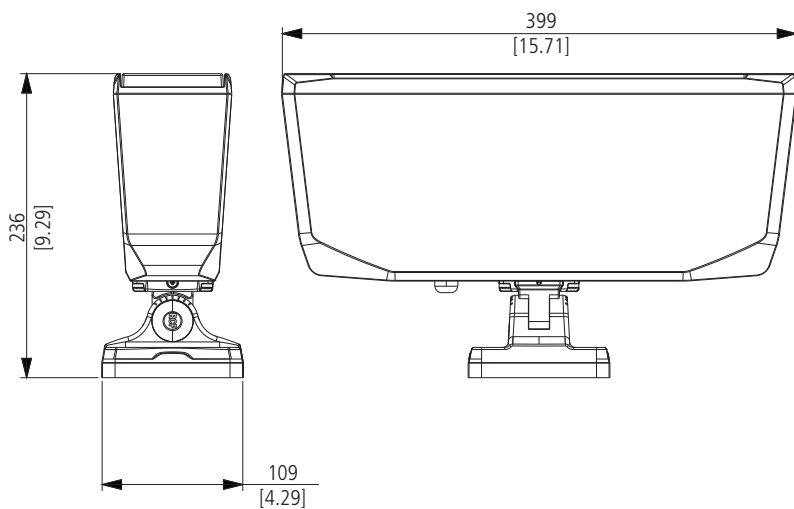
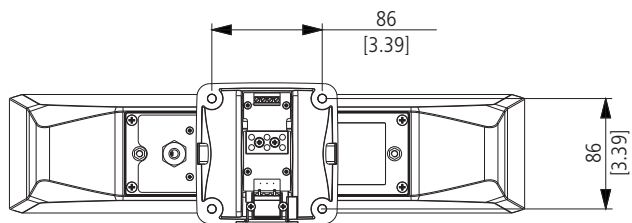
MF 33EN

mm  
[inches]



WMF 33EN

mm  
[inches]



**IMPORTANTE**

Prima di collegare ed utilizzare questo prodotto, leggere attentamente le istruzioni contenute in questo manuale, il quale è da conservare per riferimenti futuri. Il presente manuale costituisce parte integrante del prodotto e deve accompagnare quest'ultimo anche nei passaggi di proprietà, per permettere al nuovo proprietario di conoscere le modalità d'installazione e d'utilizzo e le avvertenze per la sicurezza.

L'installazione e l'utilizzo errati del prodotto esimono la RCF S.p.A. da ogni responsabilità.

**AVVERTENZE PER LA SICUREZZA E PRECAUZIONI D'USO**

- 1.** Tutte le avvertenze, in particolare quelle relative alla sicurezza, devono essere lette con particolare attenzione, in quanto contengono importanti informazioni.
- 2.** La linea ai diffusori acustici (uscita dell'amplificatore) può avere una tensione sufficientemente alta (es. 100 V) da costituire un rischio di folgorazione per le persone: non procedere mai all'installazione od alla connessione dei diffusori acustici quando la linea è in tensione.
- 3.** Assicurarsi che tutte le connessioni siano corrette e che la tensione d'ingresso di ogni diffusore sia compatibile con le caratteristiche d'uscita dell'amplificatore.
- 4.** Accertarsi che la linea diffusori non possa essere calpestata o schiacciata da oggetti, al fine di salvaguardarne la perfetta integrità.
- 5.** Impedire che oggetti o liquidi entrino all'interno dei diffusori acustici, perché potrebbero causare un cortocircuito.
- 6.** Non eseguire sui diffusori acustici interventi o modifiche o riparazioni se non quelle espressamente descritte sul manuale istruzioni. Contattare centri di assistenza autorizzati o personale altamente qualificato quando:
  - un diffusore non funziona (o funziona in modo anomalo);
  - un cavo è danneggiato;
  - oggetti o liquidi sono entrati in un diffusore acustico;
  - un diffusore acustico non è più integro (a causa di urti / incendio).
- 7.** Nel caso che da un diffusore acustico provengano odori anomali o fumo, spegnere immediatamente l'amplificatore relativo alla linea e poi scollegare il diffusore.
- 8.** Non collegare ai diffusori acustici apparecchi ed accessori non previsti. Quando è prevista l'installazione sospesa, utilizzare solamente gli appositi punti di ancoraggio e non cercare di appendere i diffusori con elementi non idonei o previsti allo scopo. Verificare inoltre l'idoneità del supporto (parete, soffitto, struttura ecc.) e dei componenti utilizzati per il fissaggio (tasselli, viti, staffe non fornite da RCF, ecc.) che devono garantire la sicurezza dell'impianto / installazione nel tempo, anche considerando, ad esempio, vibrazioni meccaniche normalmente generate da un trasduttore.

**IMPORTANTE****AVVERTENZE PER  
LA SICUREZZA E  
PRECAUZIONI D'USO**

**9. La RCF S.P.A.** raccomanda vivamente che l'installazione dei diffusori acustici sia eseguita solamente da installatori professionali qualificati (oppure da ditte specializzate) in grado di farla correttamente e certificarla in accordo con le normative vigenti.

Tutto il sistema audio dovrà essere in conformità con le norme e le leggi vigenti in materia di impianti elettrici.

**10.** Si devono considerare i fattori meccanici ed elettrici quando si installa un sistema audio professionale (oltre a quelli prettamente acustici, come la pressione sonora, gli angoli di copertura, la risposta in frequenza, ecc.).

#### **11. Perdita dell'udito**

L'esposizione ad elevati livelli sonori può provocare la perdita permanente dell'udito. Il livello di pressione acustica pericolosa per l'udito varia sensibilmente da persona a persona e dipende dalla durata dell'esposizione. Per evitare un'esposizione potenzialmente pericolosa ad elevati livelli di pressione acustica, è necessario che chiunque sia sottoposto a tali livelli utilizzi delle adeguate protezioni; quando si fa funzionare un trasduttore in grado di produrre elevati livelli sonori, è necessario indossare dei tappi per orecchie o delle cuffie protettive.

Consultare i dati tecnici contenuti nel presente manuale d'uso per conoscere la massima pressione sonora che ogni diffusore acustico è in grado di produrre.

**12.** I diffusori acustici devono essere collegati in fase (corrispondenza delle polarità +/- tra amplificatori e diffusori) in modo da garantire una corretta riproduzione audio, soprattutto quando i diffusori sono collocati in posizione fra loro adiacente o nello stesso ambiente.

Assicurarsi che la linea dei diffusori acustici non sia in cortocircuito prima di accendere l'amplificatore.


**13.** Per evitare che fenomeni induttivi diano luogo a ronzii, disturbi e compromettano il buon funzionamento dell'impianto, le linee diffusori non devono essere canalizzate insieme ai conduttori dell'energia elettrica, ai cavi microfonici, alle linee di segnale a basso livello che fanno capo ad amplificatori.

**14.** I cavi per i collegamenti dei diffusori dovranno avere conduttori di sezione adeguata (possibilmente intrecciati, per minimizzare gli effetti induttivi dovuti all'accoppiamento con campi elettro-magnetici circostanti) ed un isolamento idoneo; riferirsi alle normative locali in quanto potrebbero esserci requisiti aggiuntivi inerenti alle caratteristiche dei cavi.

**15.** Collocare ogni diffusore lontano da fonti di calore.

**16.** Non usare solventi, alcool, benzina o altre sostanze volatili per la pulitura delle parti esterne; usare un panno asciutto.

Con riferimento alla normativa IEC 62368-1, nessuna salvaguardia è necessaria nel caso di persona avvertita per tensioni audio fino a 120V.

Costituiscono avvertimento i simboli di attenzione  riportati nei pressi dei morsetti di collegamento.

Relativamente alla messa a terra degli involucri metallici dei diffusori equipaggiati con trasformatore di linea e utilizzati per la diffusione sonora con sistema di distribuzione tramite amplificatori a tensione costante che usano uscite a 70,7V oppure 100V senza un riferimento a massa o a terra, a meno di particolari norme di impiantistica che lo richiedano, non si rende necessario il collegamento dell'involucro del diffusore che include altoparlante, trasformatore, filtri passivi vari etc., alla terra di protezione.

RCF S.p.A. Vi ringrazia per l'acquisto di questo prodotto, realizzato in modo da garantirne l'affidabilità e prestazioni elevate.

## DESCRIZIONE



MF 33EN e WMF 33EN sono diffusori acustici a due vie conformi alla norma EN 54-24; il modello MF 33EN è la versione da incasso per controsoffitto, il modello WMF 33EN è per l'installazione (sporgente) a parete.

Presentano le seguenti caratteristiche:

- due altoparlanti "fullrange" da 3 pollici, tweeter a cupola da un pollice;
- corpo in ABS;
- trasformatore interno per il collegamento a linee a tensione costante 100 V / 70 V; è inoltre possibile il collegamento a bassa impedenza (8 Ω);
- la selezione della potenza si effettua tramite selettore frontale (con l'ausilio di un cacciavite); tra i valori 40-20-10-5 W a 100 V, 40-20-10-5-2,5 W a 70V, 40 W a 8 Ω;
- morsetteria in materiale ceramico per il collegamento dei conduttori elettrici;
- fusibile termico (posto nella morsetteria ceramica) che evita di compromettere l'integrità della linea audio a causa del calore che interessa il diffusore acustico;
- la rete frontale di protezione è fissata al diffusore acustico tramite con 4 magneti;
- colore: nero.

## COLLEGAMENTO



**ATTENZIONE:** PER IL COLLEGAMENTO DEI DIFFUSORI ACUSTICI, SI RACCOMANDA DI RIVOLGERSI A PERSONALE QUALIFICATO ED ADDESTRATO AVENTE CONOSCENZE TECNICHE OD ESPERIENZA OD ISTRUZIONI SPECIFICHE SUFFICIENTI PER PERMETTERGLI DI REALIZZARE CORRETTAMENTE LE CONNESSIONI E PREVENIRE I PERICOLI DELL'ELETTRICITÀ.

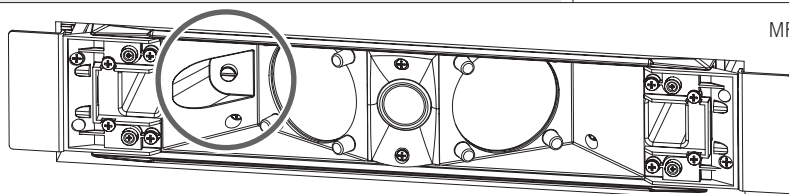
PER EVITARE IL RISCHIO DI SHOCK ELETTRICI, NON COLLEGARE DIFFUSORI ACUSTICI CON L'AMPLIFICATORE ACCESO.

PRIMA DI FAR FUNZIONARE IL DIFFUSORE ACUSTICO, È BUONA NORMA RICONTROLLARE TUTTE LE CONNESSIONI, VERIFICANDO IN PARTICOLAR MODO CHE NON VI SIANO DEI CORTOCIRCUITI ACCIDENTALI.

TUTTO L'IMPIANTO DI SONORIZZAZIONE DOVRÀ ESSERE REALIZZATO IN CONFORMITÀ CON LE NORME E LE LEGGI VIGENTI IN MATERIA DI IMPIANTI ELETTRICI.

PER GARANTIRE UNA CORRETTA RIPRODUZIONE AUDIO, EFFETTUARE IL COLLEGAMENTO DI TUTTI I DIFFUSORI ACUSTICI "IN FASE".

Si accede al selettore della potenza rimuovendo la griglia di protezione frontale.



MF 33EN

## COLLEGAMENTO A BASSA IMPEDENZA (8 Ω)

### Impostare il selettore della potenza nella posizione 8 Ω.

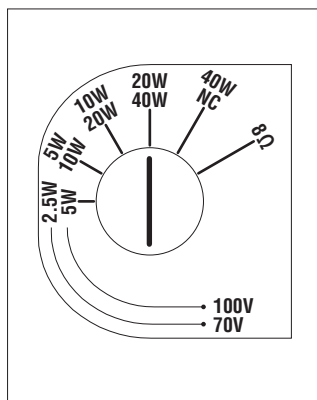
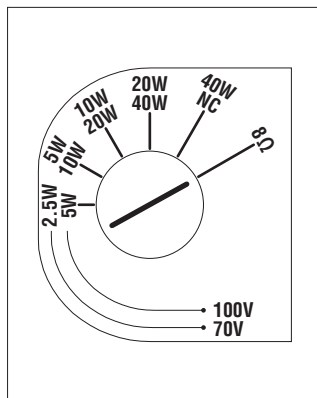
- L'impedenza totale dei diffusori non deve essere inferiore a quella d'uscita dell'amplificatore.
- L'impedenza complessiva dei diffusori uguale a quella d'uscita dell'amplificatore permette l'erogazione della massima potenza (mentre un'impedenza superiore comporta una riduzione della potenza erogata).
- La somma delle potenze dei diffusori deve essere adeguata alla potenza massima erogabile dall'amplificatore.
- La lunghezza delle linee diffusori deve essere ridotta al minimo (una lunga distanza può comportare l'uso di cavi con conduttori aventi sezioni elevate).
- L'impedenza di un singolo diffusore acustico è 8 Ω; ad esempio, il collegamento in parallelo di due diffusori acustici comporta un'impedenza complessiva di 4 Ω (impedenza = 8 / numero dei diffusori).

### SELEZIONE DELLA POTENZA CON LINEA A TENSIONE COSTANTE 100 / 70 V

Se il diffusore acustico è collegato ad una linea a tensione costante, si può scegliere la potenza adeguata (ruotando il selettore frontale tramite un cacciavite) tra i valori 40 – 20 – 10 – 5 W con tensione 100 V oppure 40 – 20 – 10 – 5 – 2,5 W con tensione 70 V.

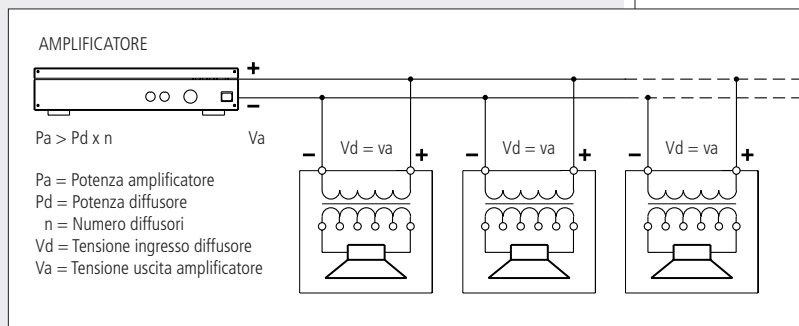
#### ATTENZIONE:

- **NON selezionare la posizione 8 Ω**  
(il diffusore acustico e l'amplificatore potrebbero danneggiarsi)!
- **NON selezionare la posizione 40 W – 70V con collegamento a linea 100 V!**



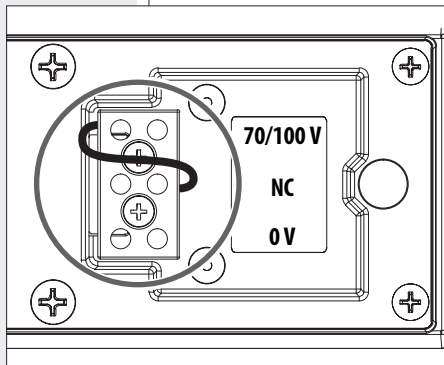
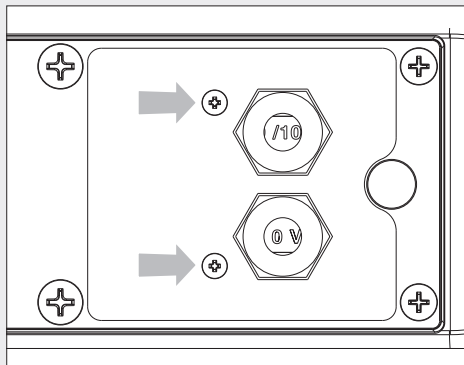
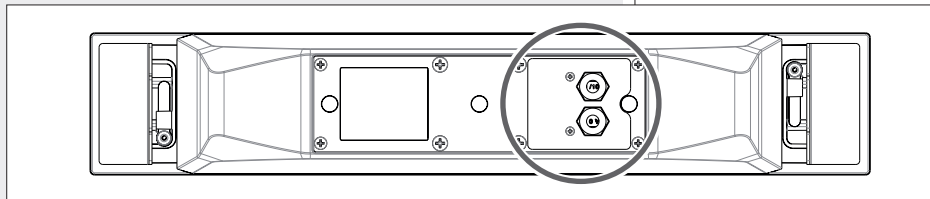
### NOTE PER IL COLLEGAMENTO CON LINEA A TENSIONE COSTANTE (100 / 70 V)

- La tensione d'ingresso del diffusore ( $V_d$ ) deve corrispondere con la tensione d'uscita dell'amplificatore ( $V_a$ ).
- La somma delle potenze nominali di tutti i diffusori ( $P_d \times n$ ) collegati alla linea non deve superare quella dell'amplificatore ( $P_a$ ).



## Collegamento della morsettieria (solo MF 33EN)

Rimuovere il coperchio di protezione con i passacavi sul retro (svitando le due viti) per accedere alla morsettieria ceramica.



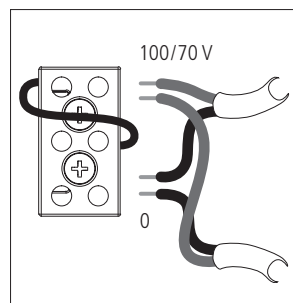
I due morsetti ("70/100V" e "0V") permettono il collegamento sia del cavo d'ingresso sia di quello d'uscita per la connessione in parallelo di altri diffusori acustici.

Sezione utilizzabile dei conduttori: da 1 mm<sup>2</sup> a 4 mm<sup>2</sup>.

Inserire il cavo d'ingresso attraverso uno dei due passacavi del coperchio di protezione.

Collegare il conduttore positivo all'ingresso "70/100 V" e quello negativo all'ingresso "0 V".

Se necessario, collegare allo stesso modo il cavo d'uscita (attraverso l'altro passacavo del coperchio di protezione) destinato alla connessione in parallelo di altri diffusori acustici.



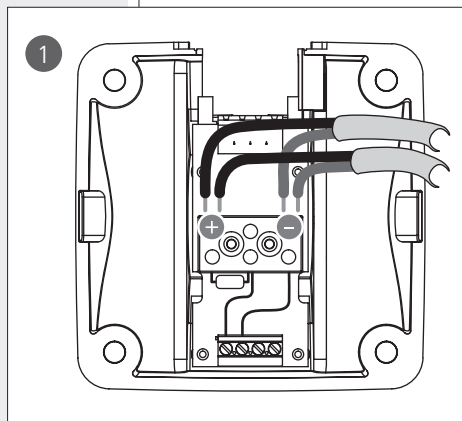
## Collegamento della morsetteria (solo WMF 33EN)

La morsetteria ceramica si trova sul retro del supporto per l'installazione a parete.

I due morsetti permettono il collegamento sia del cavo d'ingresso sia di quello d'uscita per la connessione in parallelo di altri diffusori acustici.

Sezione utilizzabile dei conduttori: da 1 mm<sup>2</sup> a 4 mm<sup>2</sup>.

Collegare sia i conduttori positivi **+** sia quelli negativi **-** come mostrato nella figura.



## INSTALLAZIONE



**NOTA:** INSTALLARE OGNI DIFFUSORE ACUSTICO IN MODO STABILE E SICURO, COSÌ DA EVITARE QUALSIASI CONDIZIONE DI PERICOLO PER L'INCOLUMITÀ DI PERSONE O STRUTTURE.

CONTROLLARE CHE LA STRUTTURA DI SUPPORTO (ES. LA PARETE, IL SOFFITTO, ECC.) ABBAIA LE NECESSARIE CARATTERISTICHE MECCANICHE, TALI DA CONSENTIRLE DI SOPPORTARE IL PESO DEL DIFFUSORE ACUSTICO SENZA IL PERICOLO DI CADUTE.

PRIMA DI INSTALLARE I DIFFUSORI ACUSTICI, CONTROLLARE TUTTI I COMPONENTI UTILIZZATI PER IL FISSAGGIO, I QUALI NON DEVONO PRESENTARE DANNI, DEFORMAZIONI, CORROSIONI E/O PARTI MANCANTI O DANNEGGIATE CHE POSSONO RIDURRE LA SICUREZZA DELL'INSTALLAZIONE.

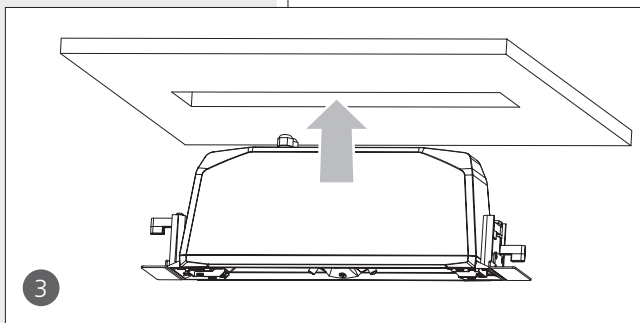
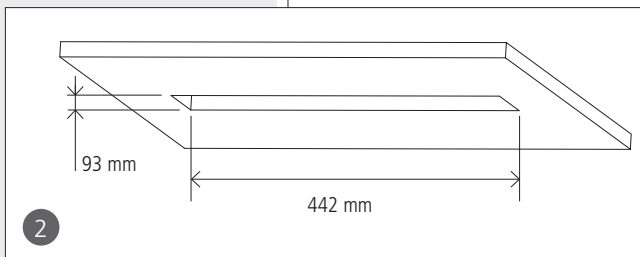


### MF 33EN

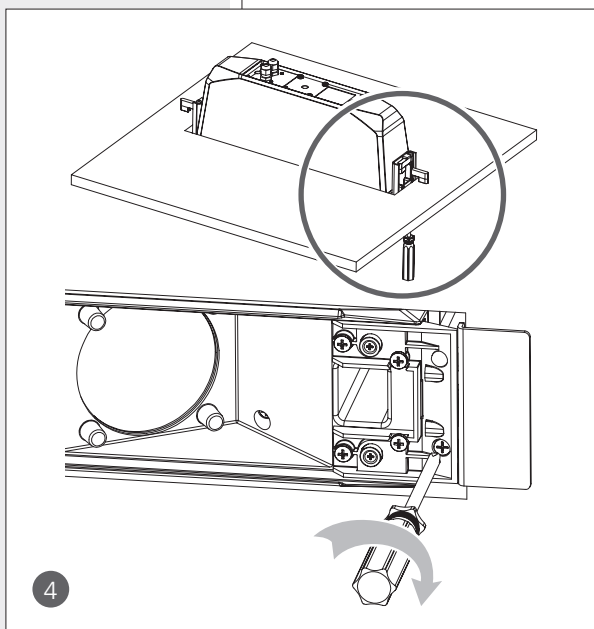
1 Collegare elettricamente il diffusore acustico come descritto nella sezione precedente "Collegamento" del manuale.

2 Creare un foro di dimensioni 442 mm x 93 mm nel pannello del controsoffitto.

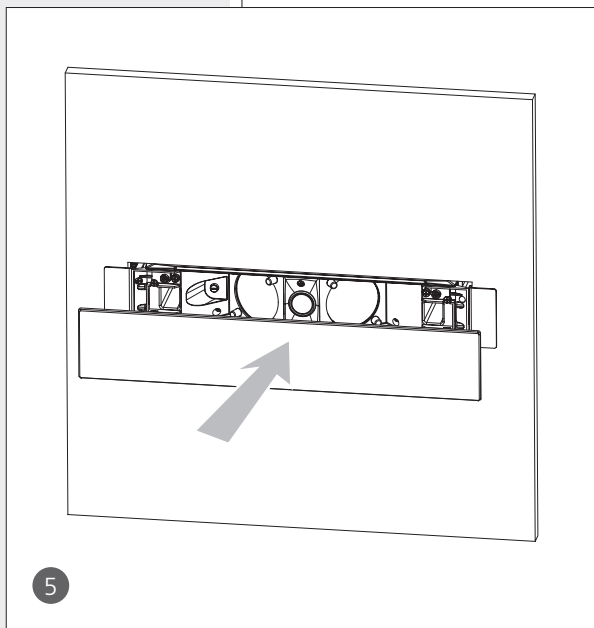
3 Inserire completamente il diffusore acustico nel foro.



4 Fissare il diffusore acustico al pannello del controsoffitto avvitando le due viti (una per lato, vedere le figure) dei morsetti di bloccaggio tramite un cacciavite.

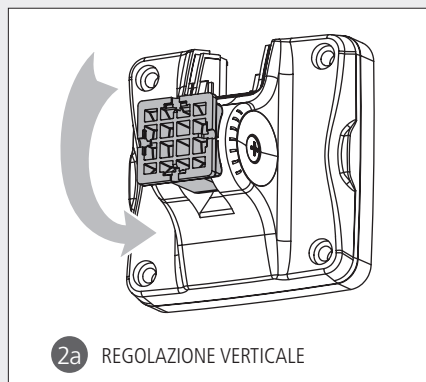


5 Riposizionare la rete di protezione frontale, la quale è fissata al diffusore tramite 4 magneti.

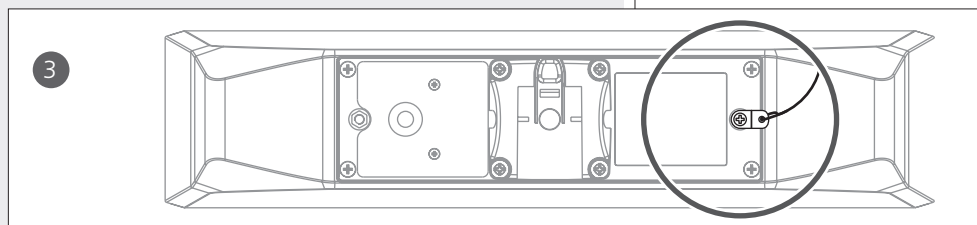


## WMF 33EN

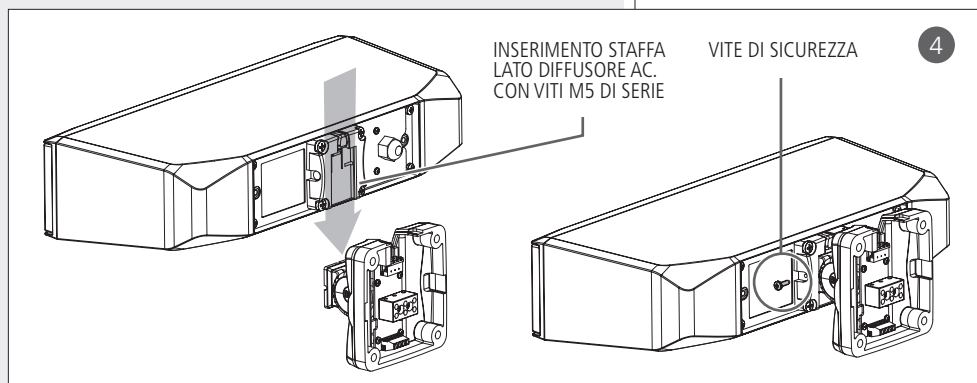
- 1 Collegare elettricamente la morsetteria ceramica che si trova sul retro del supporto per l'installazione a parete, come descritto nella sezione precedente "Collegamento" del manuale.
- 2 Scegliere come fissare il supporto per l'installazione a parete, se predisporlo per l'orientamento verticale oppure orizzontale. Fissare il supporto alla parete tramite quattro tasselli aventi diametro di 6 mm.



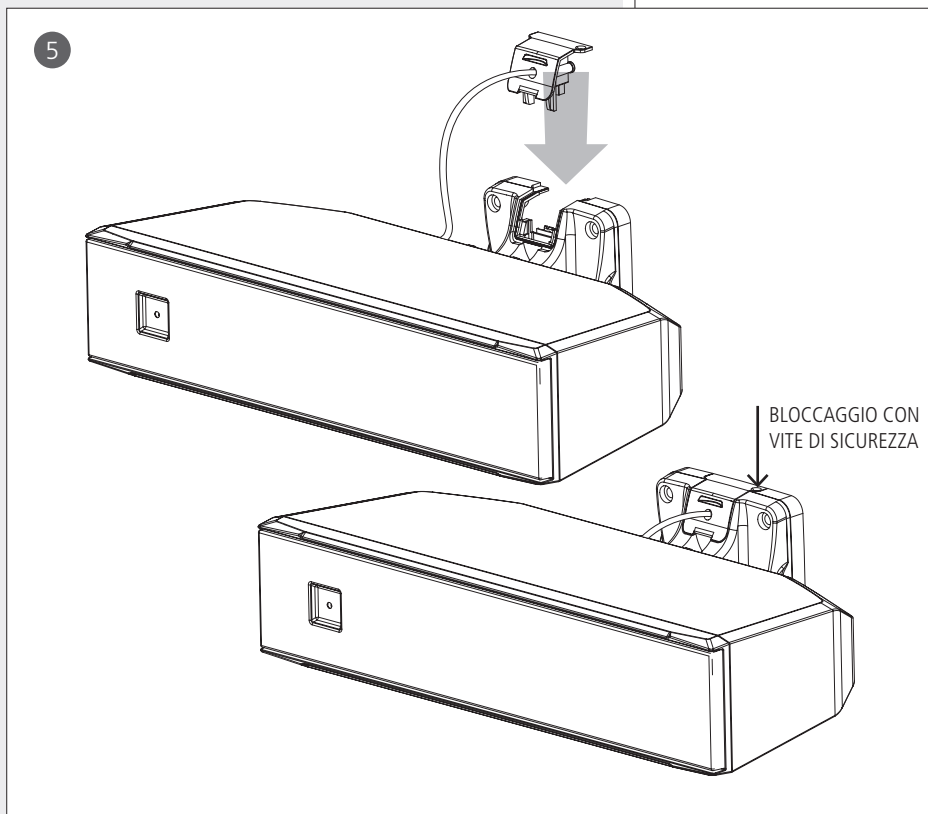
- 3 Collegare un'estremità del cavo di sicurezza al retro del diffusore con l'apposita vite in dotazione.



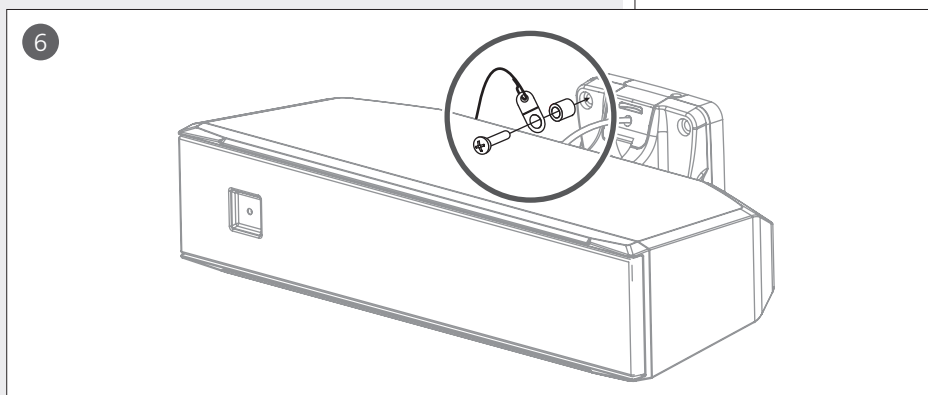
- 4 Inserire il diffusore acustico sul supporto installato alla parete e dopo stringere la vite di sicurezza; orientare il diffusore prima di serrare anche la vite del supporto a parete.



- 5 Collegare elettricamente il diffusore acustico alla staffa, inserendo il connettore (del cavo del diffusore) dall'alto come mostrato nelle figure e poi bloccandolo tramite la sua vite di sicurezza.



- 6 Collegare l'altra estremità del cavo di sicurezza al supporto a parete, utilizzando il distanziale in dotazione. Le viti per il fissaggio del supporto a parete non sono incluse.



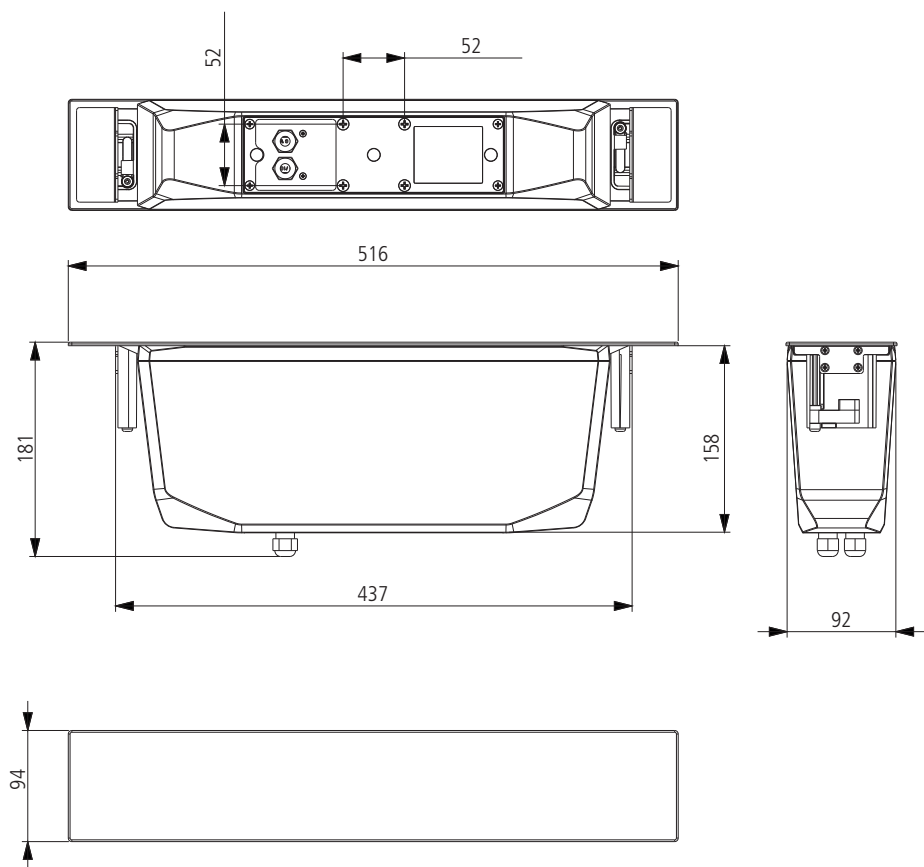


	MF 33EN	WMF 33EN
<b>DATI ACUSTICI / ELETTRICI</b>		
Trasduttori:	- 2 x fullrange da 3" - tweeter a cupola da 1"	
Risposta in frequenza (-10 dB):	100 Hz ÷ 18 kHz	
Angolo di copertura orizzontale:	120°	
Angolo di copertura verticale:	90°	
Sensibilità:	91 dB (1 W, 1 m); 79 dB (1 W, 4 m)	
Max. pressione sonora:	107 dB (40 W, 1 m); 95 dB (40 W, 4 m)	
Potenza:	100 V: 40 – 20 – 10 – 5 W 70 V: 40 – 20 – 10 – 5 – 2,5 W 8 Ω: 40 W (RMS)	
Impedenza nominale d'ingresso:	8 – 250 – 500 Ω 1 – 2 – 4 kΩ	
Connettore ingresso / uscita:	ceramico a vite	
<b>DATI FISICI</b>		
Materiale del corpo:	ABS	
Griglia frontale di protezione:	acciaio	
Colore:	nero	
Peso netto:	5 kg	
Larghezza:	516 mm	399 mm
Altezza:	94 mm	92 mm
Profondità:	181 mm	236 mm (con supporto)
Profondità incasso:	178 mm	---



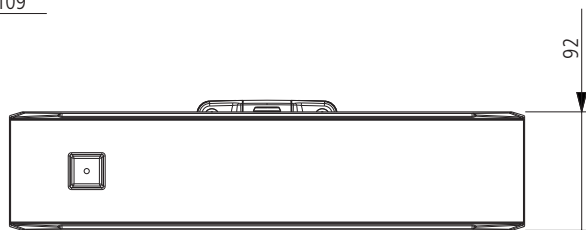
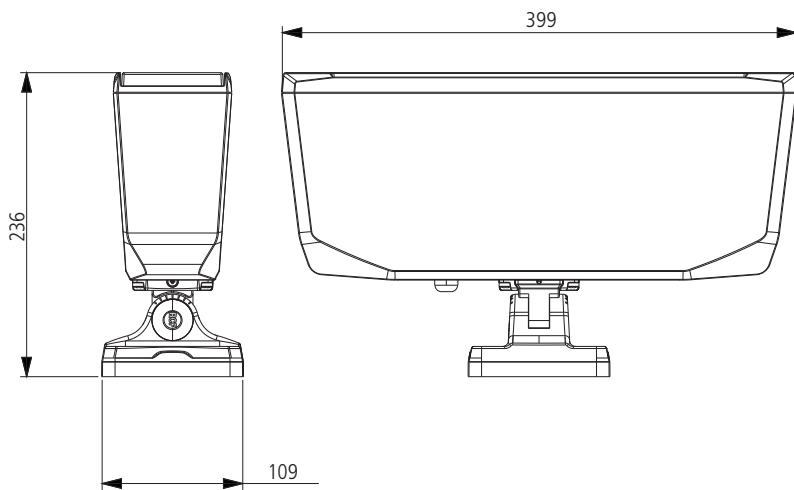
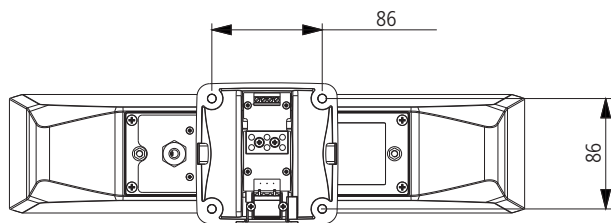
MF 33EN

mm



WMF 33EN

mm





Salvo eventuali errori ed omissioni.

RCF S.p.A. si riserva il diritto di apportare modifiche senza preavviso.

Except possible errors and omissions.

RCF S.p.A. reserves the right to make modifications without prior notice.

[www.rcf.it](http://www.rcf.it)

**RCF S.p.A.** Italy

Via Raffaello Sanzio, 13

42124 Reggio Emilia - Italy

Tel +39 0522 274 411

Fax +39 0522 232 428

e-mail: [info@rcf.it](mailto:info@rcf.it)