

# BM 9804

## DESK-TOP EMERGENCY MICROPHONE CONSOLE

### DESCRIPTION

BM 9804 is a desk-top emergency microphone console exclusively dedicated to DXT 9000 Voice Alarm system, and can be used both for live announcements and pre-recorded messages activation. It features complete self-diagnostic functionalities and system status reporting in compliance with EN 54-16:2008 standard. Up to 16 consoles can be daisy-chained on each paging bus, and the first one is powered directly by the master unit, while the others need local 24 V DC adapters.



### FEATURES

- Live emergency announcements
- Pre-recorded messages activation
- Complete self-diagnostic
- 3 configurable buttons and display
- Hi-quality cardioid microphone
- Robust metal case

## TECHNICAL SPECIFICATIONS

<b>Microphone specifications</b>	Type:	Electret
	Directivity:	Cardioid
	Sensitivity:	-65 dB
	Frequency Response (-3dB):	50 Hz ÷ 18 kHz
	Output impedance (ohm):	470.00 ohm
<b>Console specifications</b>	Console Type:	Emergency
	Working with	DXT 9000
	General call:	Yes
	Selective call:	Yes
	Preamplified:	Yes
	Configurable buttons:	Yes
	LED indicators:	Yes
<b>Power requirement</b>	Operating voltage:	24.00V - Hz
<b>Connections</b>	Connectors:	RJ45
	Cable:	J-Type fire-rated
	Daisy-chain:	Yes
	Max number in daisy-chain:	16
	Interlock:	Yes
<b>Functionalities</b>	Priority:	Yes
	Chime tone generator:	Yes
<b>Accessories</b>	Cable included:	Yes
	Cable length (m):	5
<b>Standard compliance</b>	EN54-16 certified:	Yes
	CE compliance:	Yes
	CPR number:	0068-CPR-007/2015
<b>Physical specifications</b>	Cabinet/Case Material:	Metal
<b>Size</b>	Height:	44 mm / 1.73 inches
	Width:	203 mm / 7.99 inches
	Depth:	128 mm / 5.04 inches
	Weight:	1.12 kg / 2.47 lbs
<b>Shipping informations</b>	Package Height:	154 mm / 6.06 inches
	Package Width:	434 mm / 17.09 inches
	Package Depth:	174 mm / 6.85 inches
	Package Weight:	1.12 kg / 2.47 lbs



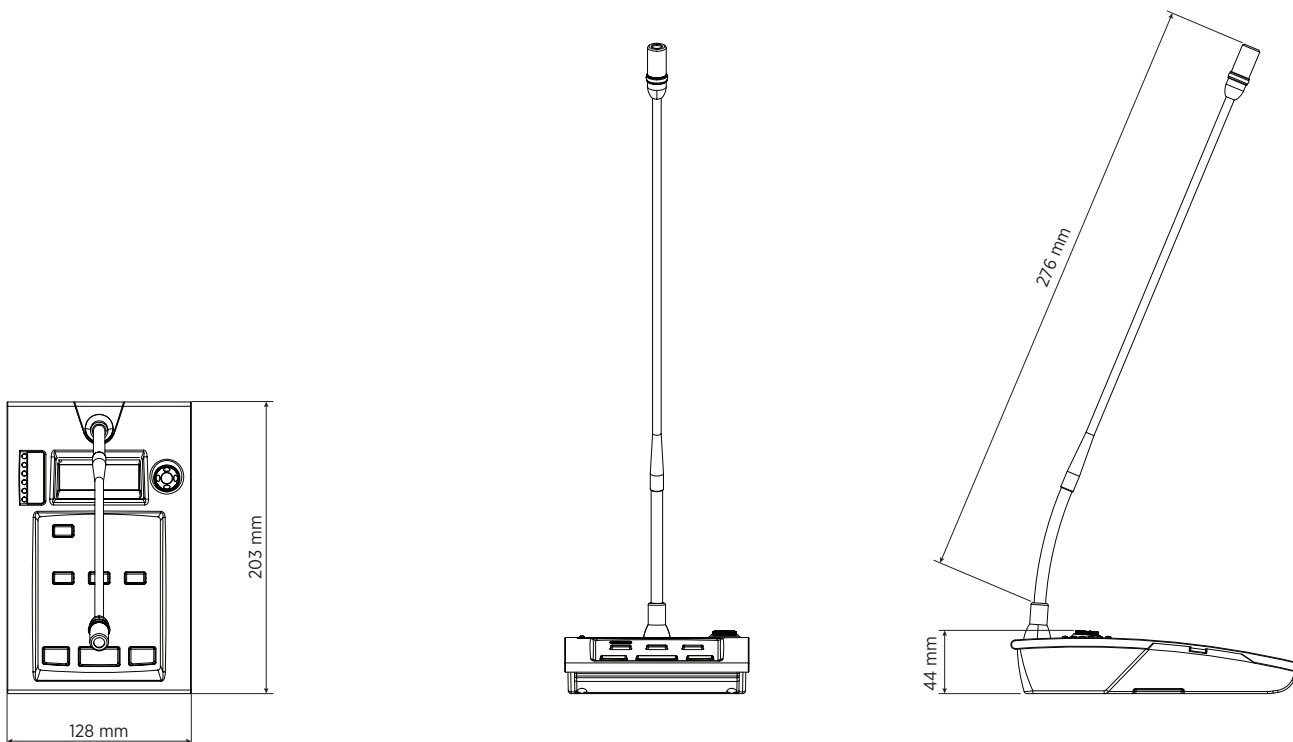
**PART NUMBER**

- **14380024**

BM 9804

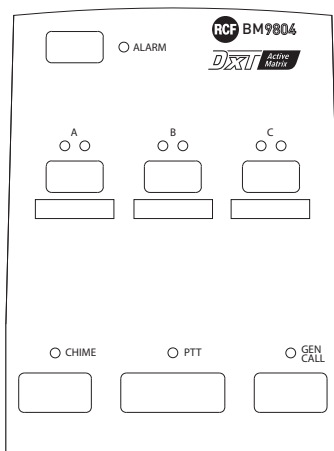
EAN 8024530007690

**DRAWINGS**



**PANELS**

Front panel



**ACCESSORIES**



CJ 428CAT CABLE FTP 4x2x22 AWG CAT 5E FR  
(PH120)

PART NUMBER **12399047**  
EAN: 8024530016449

---