



CMR 50T W **CMR 60T W**

TWO WAY CEILING MONITOR SPEAKER

DIFFUSORE DUE VIE PER INSTALLAZIONE A SOFFITTO

ENGLISH

1	SAFETY PRECAUTIONS AND GENERAL INFORMATION.....	4
2	DESCRIPTION.....	6
3	CONNECTIONS AND POWER SELECTION.....	7
4	NOTES ABOUT CONSTANT VOLTAGE SYSTEMS.....	10
4	INSTALLATION.....	11

ITALIANO

1	AVVERTENZE PER LA SICUREZZA E INFORMAZIONI GENERALI.....	12
2	DESCRIZIONE.....	14
3	COLLEGAMENTO E SELEZIONE DELLA POTENZA.....	15
4	NOTE SUI SISTEMI A TENSIONE COSTANTE.....	18
4	INSTALLAZIONE.....	19

	SPECIFICATIONS / DATI TECNICI.....	20
--	------------------------------------	----

	DIMENSIONS / DIMENSIONI.....	21
--	------------------------------	----

1. SAFETY PRECAUTIONS AND GENERAL INFORMATION

The symbols used in this document give notice of important operating instructions and warnings which must be strictly followed.

	CAUTION	Important operating instructions: explains hazards that could damage a product, including data loss
	WARNING	Important advice concerning the use of dangerous voltages and the potential risk of electric shock, personal injury or death.
	IMPORTANT NOTES	Helpful and relevant information about the topic
	SUPPORTS, TROLLEYS AND CARTS	Information about the use of supports, trolleys and carts. Reminds to move with extreme caution and never tilt.
	WASTE DISPOSAL	This symbol indicates that this product should not be disposed with your household waste, according to the WEEE directive (2012/19/EU) and your national law.

IMPORTANT NOTES

This manual contains important information about the correct and safe use of the device. Before connecting and using this product, please read this instruction manual carefully and keep it on hand for future reference. The manual is to be considered an integral part of this product and must accompany it when it changes ownership as a reference for correct installation and use as well as for the safety precautions. RCF S.p.A. will not assume any responsibility for the incorrect installation and / or use of this product.

SAFETY PRECAUTIONS

1. All the precautions, in particular the safety ones, must be read with special attention, as they provide important information.

2. Power supply from mains

- The mains voltage is sufficiently high to involve a risk of electrocution; install and connect this product before plugging it in.
- Before powering up, make sure that all the connections have been made correctly and the voltage of your mains corresponds to the voltage shown on the rating plate on the unit, if not, please contact your RCF dealer.
- The metallic parts of the unit are earthed through the power cable. An apparatus with CLASS I construction shall be connected to a mains socket outlet with a protective earthing connection.
- Protect the power cable from damage; make sure it is positioned in a way that it cannot be stepped on or crushed by objects.
- To prevent the risk of electric shock, never open this product: there are no parts inside that the user needs to access.
- Be careful: in the case of a product supplied by manufacturer only with POWERCON connectors and without a power cord, jointly to POWERCON connectors type NAC3FCA (power-in) and NAC3FCB (power-out), the following power cords compliant to national standard shall be used:
 - EU: cord type H05VV-F 3G 3x2.5 mm² - Standard IEC 60227-1
 - JP: cord type VCTF 3x2 mm²; 15Amp/120V~ - Standard JIS C3306
 - US: cord type SJT/SJTO 3x14 AWG; 15Amp/125V~ - Standard ANSI/UL 62

3. Make sure that no objects or liquids can get into this product, as this may cause a short circuit. This apparatus shall not be exposed to dripping or splashing. No objects filled with liquid, such as vases, shall be placed on this apparatus. No naked sources (such as lighted candles) should be placed on this apparatus.

4. Never attempt to carry out any operations, modifications or repairs that are not expressly described in this manual. Contact your authorized service centre or qualified personnel should any of the following occur:

- **The product does not function (or functions in an anomalous way).**
- **The power cable has been damaged.**

- **Objects or liquids have got in the unit.**
- **The product has been subject to a heavy impact.**

5. If this product is not used for a long period, disconnect the power cable.

6. If this product begins emitting any strange odours or smoke, switch it off immediately and disconnect the power cable.

7. Do not connect this product to any equipment or accessories not foreseen.

For suspended installation, only use the dedicated anchoring points and do not try to hang this product by using elements that are unsuitable or not specific for this purpose. Also check the suitability of the support surface to which the product is anchored (wall, ceiling, structure, etc.), and the components used for attachment (screw anchors, screws, brackets not supplied by RCF etc.), which must guarantee the security of the system / installation over time, also considering, for example, the mechanical vibrations normally generated by transducers.

To prevent the risk of falling equipment, do not stack multiple units of this product unless this possibility is specified in the user manual.

8. RCF S.p.A. strongly recommends this product is only installed by professional qualified installers (or specialised firms) who can ensure correct installation and certify it according to the regulations in force. The entire audio system must comply with the current standards and regulations regarding electrical systems.

9. Supports, trolleys and carts.



The equipment should be only used on supports, trolleys and carts, where necessary, that are recommended by the manufacturer. The equipment / support / trolley / cart assembly must be moved with extreme caution. Sudden stops, excessive pushing force and uneven floors may cause the assembly to overturn. Never tilt the assembly.

10. There are numerous mechanical and electrical factors to be considered when installing a professional audio system (in addition to those which are strictly acoustic, such as sound pressure, angles of coverage, frequency response, etc.).

11. Hearing loss.

Exposure to high sound levels can cause permanent hearing loss. The acoustic pressure level that leads to hearing loss is different from person to person and depends on the duration of exposure. To prevent potentially dangerous exposure to high levels of acoustic pressure, anyone who is exposed to these levels should use adequate protection devices. When a transducer capable of producing high sound levels is being used, it is therefore necessary to wear ear plugs or protective earphones. See the manual technical specifications to know the maximum sound pressure level.

OPERATING PRECAUTIONS

- Place this product far from any heat sources and always ensure an adequate air circulation around it.
- Do not overload this product for a long time.
- Never force the control elements (keys, knobs, etc.).
- Do not use solvents, alcohol, benzene or other volatile substances for cleaning the external parts of this product.

IMPORTANT NOTES

To prevent the occurrence of noise on line signal cables, use screened cables only and avoid putting them close to:

- **Equipment that produces high-intensity electromagnetic fields**
- **Power cables**
- **Loudspeaker lines**



WARNING! CAUTION! To prevent the risk of fire or electric shock, never expose this product to rain or humidity.



WARNING! To prevent electric shock hazard, do not connect to mains power supply while grille is removed



WARNING! to reduce the risk of electric shock, do not disassemble this product unless you are qualified. Refer servicing to qualified service personnel.

CORRECT DISPOSAL OF THIS PRODUCT



This product should be handed over to an authorized collection site for recycling waste electrical and electronic equipment (EEE). Improper handling of this type of waste could have a possible negative impact on the environment and human health due to potentially hazardous substances that are generally associated with EEE. At the same time, your cooperation in the correct disposal of this product will contribute to the effective usage of natural resources. For more information about where you can drop off your waste equipment for recycling, please contact your local city office, waste authority or your household waste disposal service.

CARE AND MAINTENANCE

To ensure a long-life service, this product should be used following these advices:

- If the product is intended to be set up outdoors, be sure it is under cover and protected to rain and moisture.
 - If the product needs to be used in a cold environment, slowly warm up the voice coils by sending a low-level signal for about 15 minutes before sending high-power signals.
 - Always use a dry cloth to clean the exterior surfaces of the speaker and always do it when the power is turned off.
-



CAUTION: to avoid damaging the exterior finishes do not use cleaning solvents or abrasives.



WARNING! CAUTION! For powered speakers, do cleaning only when the power is turned off.

RCF S.p.A. reserves the right to make changes without prior notice to rectify any errors and / or omissions.

Always refer to the latest version of the manual on www.rcf.it.

2. DESCRIPTION

CMR 50T W and CMR 60T W are multi-purpose two-way ceiling monitor speakers, suitable for a wide range of applications. Thanks to their elegant and discreet design and refined finishes, these are suitable for all environmental and architectural conditions.

The two models differ in the size of their woofer and their power. They are both equipped with a transformer for connection to constant voltage lines (70-100 V):

- **CMR 50T W** 5" woofer, 40 W
- **CMR 60T W** 6.5" woofer, 80 W


The high quality of their transducers (arranged in a coaxial configuration) guarantees faithful and precise musical reproduction throughout the audio spectrum and allows to reach truly remarkable sound pressure levels for such compact products.

The connection is simple and safe thanks to the removable four-pole screw terminals.

The front grille is fixed by magnets and can therefore be easily removed to access the power rotary switch (their line transformer allows selection among five power rates).

MAIN FEATURES

- 5" woofer (CMR 50T W) with 1" voice coil
- 6.5" woofer (CMR 60T W) with 1.2" voice coil
- Neodymium 1" dome tweeter with 1" voice coil
- Self extinguishing plastic body and metal backcan
- Internal transformer for connection to constant voltage lines (70-100 V), power selection is made with a rotary switch among 5 rates. The low impedance connection (8 Ω) is possible too.
- EUROBLOCK removable 4-pole connector (audio input and parallel output 'link')
- Steel front grille with magnetic fixing
- Colour: white.

 **WARNING!** Speaker connections should be only made by qualified and experienced personnel having the technical know-how or sufficient specific instructions to ensure that connections are made correctly and prevent any electrical danger.

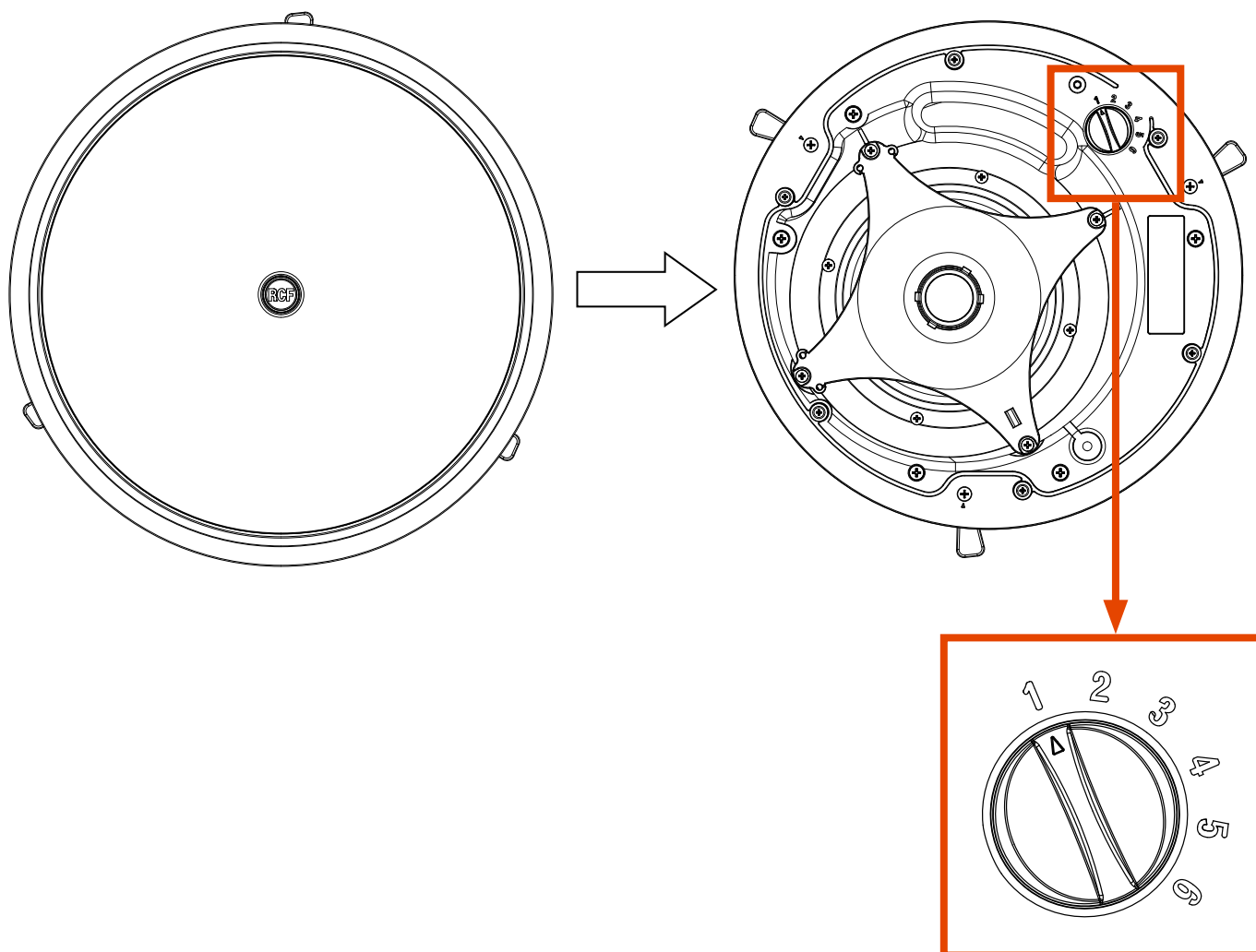
To prevent any risk of electric shock, do not connect speakers when the amplifier is switched on. Before turning the system on, check all connections and make sure there are no accidental short circuits.

The entire sound system shall be designed and installed in compliance with the current local laws and regulations regarding electrical systems.

Make sure all speakers are connected in phase to ensure a correct sound reproduction.

CMR 50T W and CMR 60T W can be either connected to 70 V / 100 V constant voltage lines or used as low impedance speakers (8 Ω).

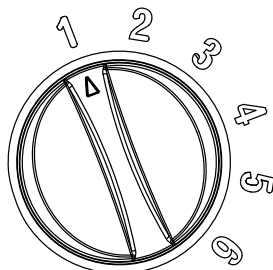
Remove the front grille (fixed with magnets and with a safety cord) to access the power rotary switch (6 different settings).



3. CONNECTION AND POWER SELECTION

SETTING THE POWER WHEN CONNECTED TO 100 / 70 V CONSTANT VOLTAGE LINES

If speakers are connected to a constant voltage line, set the selector to one of the positions from 1 to 5 (70 V) or from 1 to 4 (100 V) to choose the power rate (according to the line voltage).



CMR 50T W

POSITION	1	2	3	4	5	6
70 V	2,5 W	5 W	10 W	20 W	40 W	8 Ω
100 V	5 W	10 W	20 W	40 W	N.C.	

CMR 60T W

POSITION	1	2	3	4	5	6
70 V	5 W	10 W	20 W	40 W	80 W	8 Ω
100 V	10 W	20 W	40 W	80 W	N.C.	



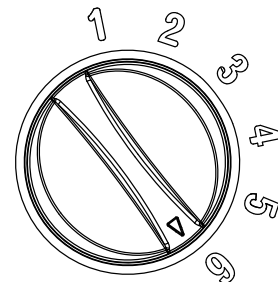
WARNING!

- DO NOT select position 6 (8 Ω) (as this may damage the speaker and the amplifier)!
- DO NOT select position 5 when linked to a 100 V line!
- The speaker input voltage (Vd) shall correspond to the amplifier output voltage (Va).
- The sum of nominal power values (Pd x n) of all speakers connected to the line shall not exceed the amplifier power (Pa).

LOW IMPEDANCE CONNECTION (8 Ω)

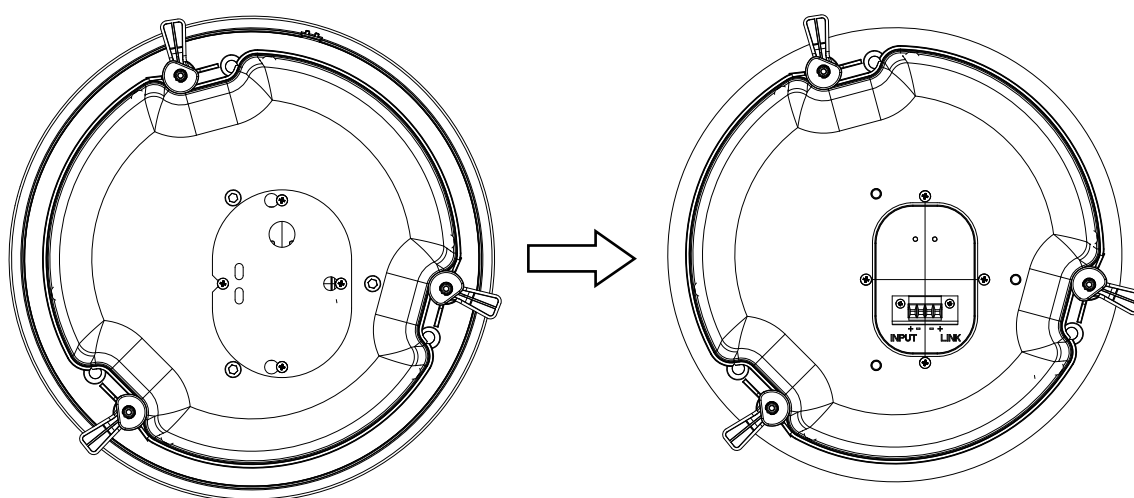
Set the selector to position 6 (8 Ω).

- The total speaker impedance must not be lower than the amplifier output impedance.
- A speaker total impedance equal to the amplifier output one permits to get the maximum deliverable power (but a higher impedance entails less power).
- The total speaker power shall be adequate for the amplifier maximum deliverable power.
- Speaker lines shall be as short as possible (for long distances, it may be necessary to use cables with large cross-section wires).
- The impedance of a single speaker is 8 Ω. For example, the total impedance of the parallel of two speakers is 4 Ω (impedance = 8 / speaker number).



CONNECTION

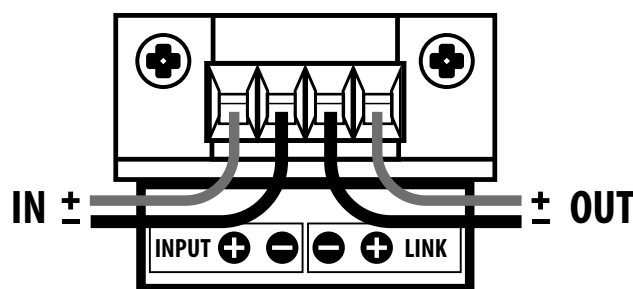
Remove the metal protective cover of the speaker backcan to access to the removable Euroblock connector socket.



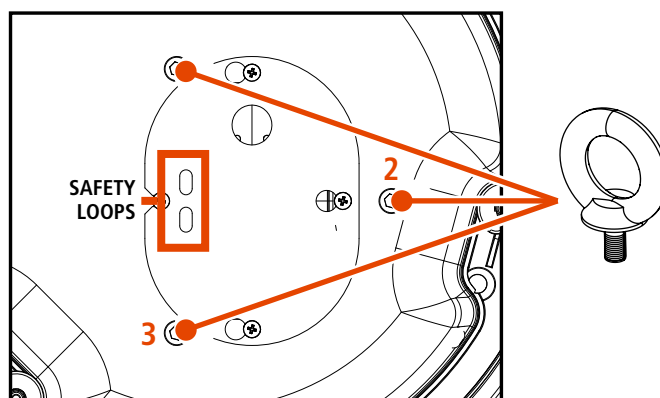
The two INPUT contacts (+ and -) allow the connection of the input cable, the two LINK contacts (+ and -) can be linked to an output cable for the parallel connection of other speakers.

Applicable wire section: from 0.75 mm² to 2.5 mm².

1. Connect the line positive wire to the speaker **INPUT +**.
2. Connect the line negative wire to the speaker **INPUT -**.
3. If necessary, connect in the same way the output cable (to link other speakers in parallel) to speaker **LINK +** and **LINK -**.
4. Refit the metal protective cover on the speaker backcan.

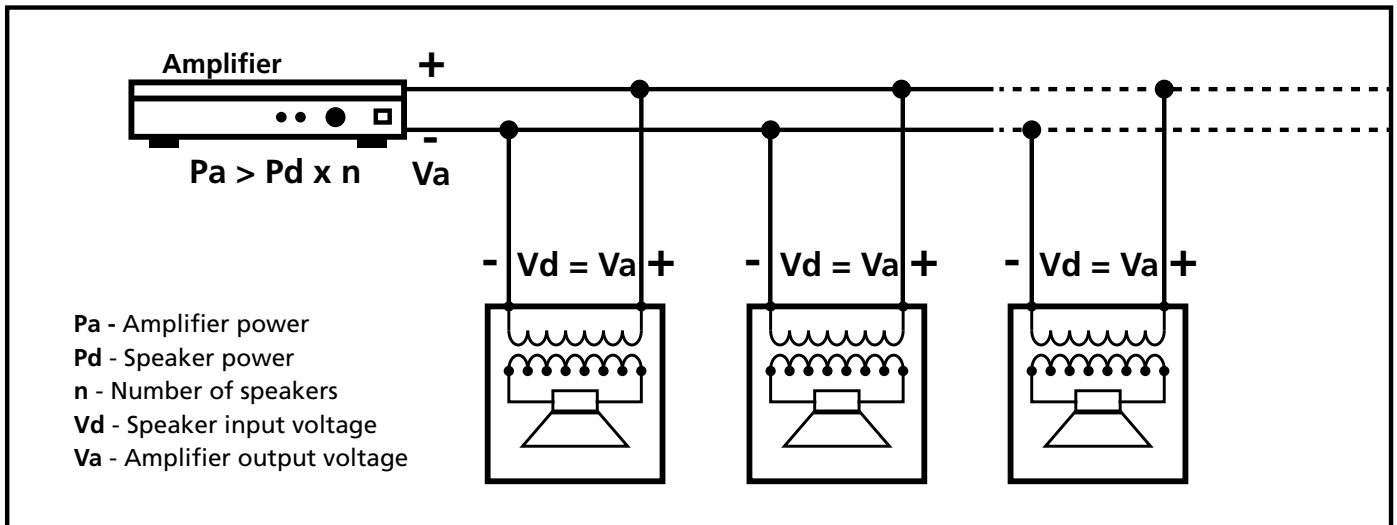


⚠ WARNING! Remember to fix a safety cord (not included) to a separate solid surface like a beam or a wall and tie it to the speaker through the safety loops or to the provided eyebolt (or both, if necessary, for added safety); the eyebolt must be securely screwed to one of the three anchoring points (1, 2, 3). The cord must be suitable for the speaker dimension and weight and, in case of dropping, it must be able to firmly hold the speaker and avoid any possible injury.



4. NOTES ABOUT CONSTANT VOLTAGE SYSTEMS

- The loudspeaker input voltage (V_d) shall correspond to the amplifier output voltage (V_a).
- The sum of nominal power values ($P_d \times n$) of all loudspeakers connected to the line shall not exceed the amplifier power (P_a).
- Make sure all loudspeakers are connected in phase to ensure a correct sound reproduction.

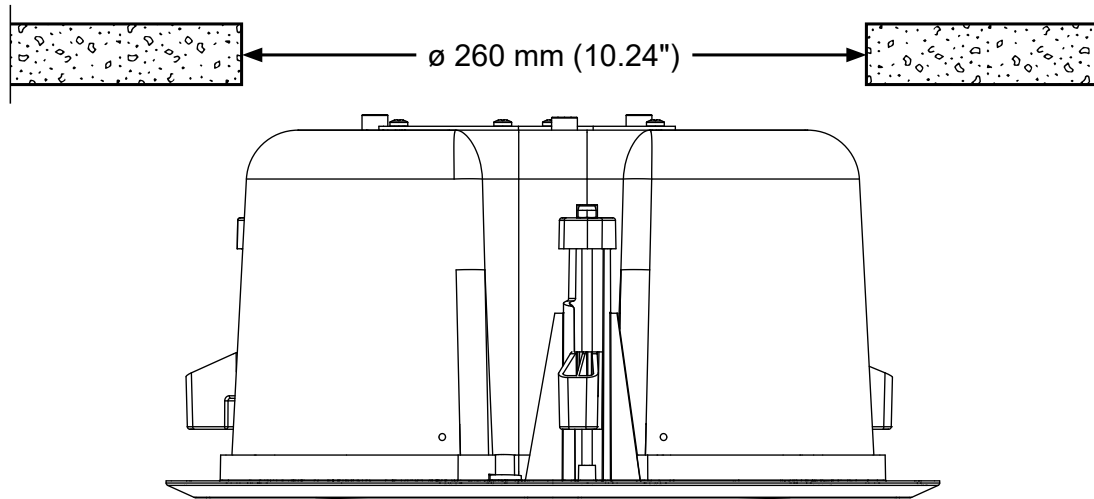


- Always use cables having wires with an adequate cross-section, considering the cable length and the total loudspeaker power.
- Loudspeaker lines must be kept separated from mains cable, microphone cables or others, in order to avoid inductive phenomena may cause hum or noises.
- Use loudspeaker cables having twisted wires to reduce hum caused by inductive effects due to coupling with electromagnetic fields.

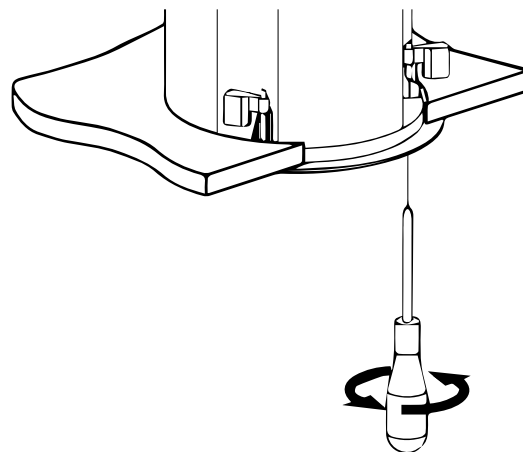


WARNING! Make sure all speakers are installed in a stable and secure way in order to avoid any conditions that may be dangerous for persons or structures. Check that the false ceiling has the necessary mechanical characteristics to support the speaker weight without any risk of falling.

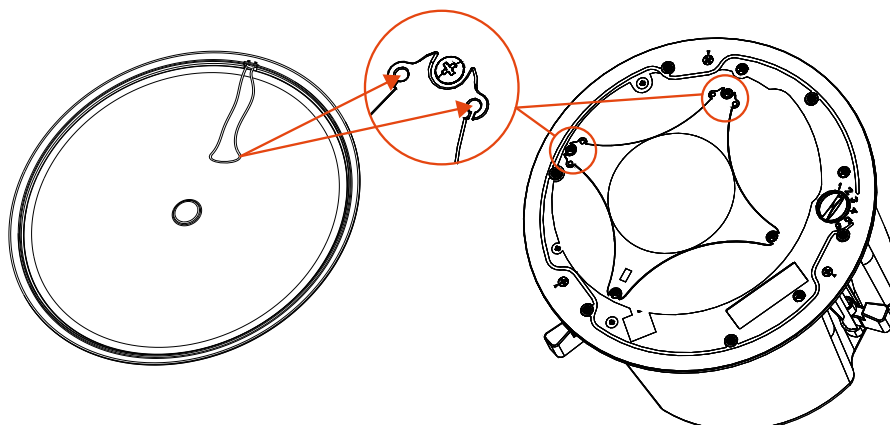
1. Drill a circular hole having a diameter \varnothing 260 mm (10.24") in the false ceiling at the point chosen for the speaker installation.



2. Connect the speaker as previously described in the 'Connection' manual section.
3. Insert the speaker completely into the false ceiling hole.
4. Tighten (clockwise) the 3 screws that rotate the respective 3 locking plastic clamps to fix the speaker to the false ceiling. **Note: to remove the speaker from the false ceiling (if necessary), screw counterclockwise.**








5. Mount the speaker front grille. The grille is fixed with magnets and is equipped with a safety cord (included), which must be hooked into one of the slots on the tweeter horn.



1. AVVERTENZE PER LA SICUREZZA E INFORMAZIONI GENERALI

I simboli utilizzati in questo documento notificano importanti istruzioni operative e avvertimenti che devono essere seguiti attentamente.

	CAUTELA	Importante istruzione operativa: notifica un pericolo che potrebbe danneggiare il prodotto, compresa la perdita di dati
	ATTENZIONE	Avvertimento importante riguardante l'uso di voltaggi pericolosi e il potenziale rischio di shock elettrico, lesioni personali o morte.
	NOTE IMPORTANTI	Informazioni utili e rilevanti sull'argomento
	SUPPORTI, TROLLEY E CARRRELLI	Informazioni riguardanti l'utilizzo di supporti, trolley e carrelli. Suggerisce di muovere con estrema cautela e di non inclinare il carico.
	SMALTIMENTO	Questo simbolo indica che il prodotto non deve essere smaltito con i rifiuti ordinari, così come indicato nella direttiva WEEE (2012/19/EU) e nelle normative nazionali in vigore.

NOTE IMPORTANTI

Questo manuale contiene informazioni importanti sull'uso corretto e sicuro del dispositivo. Prima di collegare e utilizzare questo prodotto, leggere attentamente questo manuale di istruzioni e tenerlo a portata di mano per riferimenti futuri. Il manuale deve essere considerato parte integrante di questo prodotto e deve accompagnarlo in caso di cambio proprietà come riferimento per la corretta installazione e utilizzo nonché per le precauzioni di sicurezza. RCF S.p.A. non si assume alcuna responsabilità per l'installazione e / o l'uso errati di questo prodotto.

PRECAUZIONI DI SICUREZZA

1. Tutte le precauzioni, in particolare quelle di sicurezza, devono essere lette con particolare attenzione, in quanto forniscono informazioni importanti.

2. Alimentazione principale da rete elettrica

- La tensione di rete è sufficientemente elevata da comportare un rischio di folgorazione; installare e collegare questo prodotto prima di collegarlo.
- Prima di accendere, assicurarsi che tutti i collegamenti siano stati eseguiti correttamente e che la tensione della rete corrisponda alla tensione indicata sulla targhetta dei dati sull'unità, in caso contrario, contattare il rivenditore RCF.
- Le parti metalliche dell'unità sono messe a terra attraverso il cavo di alimentazione. Un apparecchio con costruzione di CLASSE I deve essere collegato a una presa di corrente con un collegamento di terra di protezione.
- Proteggere il cavo di alimentazione da danni; assicurarsi che sia posizionato in modo tale da non poter essere calpestato o schiacciato da oggetti.
- Per evitare il rischio di scosse elettriche, non aprire mai questo prodotto: non sono previste parti interne alle quali l'utente debba accedere.
- Fare attenzione: nel caso di un prodotto provvisto solo di connettori POWERCON e senza cavo di alimentazione, congiuntamente ai connettori POWERCON tipo NAC3FCA (alimentazione) e NAC3FCB (alimentazione), devono essere usati i seguenti cavi di alimentazione conformi alla norma nazionale:
 - EU: cavo di tipo H05VV-F 3G 3x2.5 mm² - Standard IEC 60227-1
 - JP: cavo di tipo VCTF 3x2 mm²; 15Amp/120V~ - Standard JIS C3306
 - US: cavo di tipo SJT/SJO 3x14 AWG; 15Amp/125V~ - Standard ANSI/UL 62

3. Assicurarsi che nessun oggetto o liquido penetri in questo prodotto poiché ciò potrebbe causare un corto circuito. Questo apparecchio non deve essere esposto a gocciolamenti o spruzzi. Nessun oggetto riempito di liquido, come vasi, deve essere posizionato su questo apparecchio. Nessuna fiamma libera (come candele accese) deve essere posizionata su questo apparecchio.

4. Non tentare mai di eseguire operazioni, modifiche o riparazioni non espressamente descritte nel presente manuale.

Contattare il centro di assistenza autorizzato o personale qualificato qualora si verifichi una delle seguenti condizioni:

- **Il prodotto non funziona (o funziona in modo anomalo).**
- **Il cavo di alimentazione è stato danneggiato.**
- **Oggetti o liquidi sono entrati nell'unità.**
- **Il prodotto ha subito un forte urto.**

5. Se questo prodotto non viene utilizzato per un lungo periodo, scollegare il cavo di alimentazione.

6. Se questo prodotto inizia a emettere strani odori o fumo, spegnerlo immediatamente e scollegare il cavo di alimentazione.

7. Non collegare questo prodotto ad apparecchiature o accessori non previsti.

Per l'installazione sospesa, utilizzare solo i punti di ancoraggio dedicati e non tentare di appendere questo prodotto utilizzando elementi non idonei o non specifici per questo scopo. Verificare inoltre l'idoneità della superficie di supporto a cui è ancorato il prodotto (parete, soffitto, struttura, ecc.) a dei componenti utilizzati per il fissaggio (tasselli, viti, staffe non fornite da RCF ecc.) che devono garantire sicurezza del sistema / installazione nel tempo, anche considerando, ad esempio, le vibrazioni meccaniche normalmente generate dai trasduttori.

Per evitare il rischio di caduta dell'apparecchiatura, non impilare più unità di questo prodotto a meno che questa possibilità non sia specificata nel manuale dell'utente.

8.RCF S.p.A. raccomanda vivamente che questo prodotto sia installato solo da installatori professionisti qualificati (o aziende specializzate) che possono garantire la corretta installazione e certificarlo secondo le normative vigenti.

L'intero sistema audio deve essere conforme agli standard e alle normative vigenti in materia di sistemi elettrici.

9. Supporti, trolley e carrelli.



L'apparecchiatura deve essere utilizzata, ove necessario, solo su supporti, trolley e carrelli consigliati dal produttore. L'apparecchiatura / supporto / carrello deve essere spostata con estrema cautela. Arresti improvvisi, eccessiva spinta e pavimenti irregolari possono causarne il ribaltamento. Non inclinare mai.

10. Vi sono numerosi fattori meccanici ed elettrici da considerare quando si installa un sistema audio professionale (oltre a quelli strettamente acustici, come la pressione del suono, gli angoli di copertura, la risposta in frequenza, ecc.).

11. Perdita dell'udito.

L'esposizione a livelli sonori elevati può causare la perdita permanente dell'udito. Il livello di pressione acustica che porta alla perdita dell'udito è diverso da persona a persona e dipende dalla durata dell'esposizione. Per prevenire un'esposizione potenzialmente pericolosa a livelli elevati di pressione acustica, chiunque sia esposto a questi livelli dovrebbe usare adeguati dispositivi di protezione. Quando viene utilizzato un trasduttore in grado di produrre alti livelli sonori, è quindi necessario indossare tappi per le orecchie o cuffie protettive. Vedere le specifiche tecniche del manuale per conoscere il livello massimo di pressione sonora.

PRECAUZIONI OPERATIVE

- Posizionare questo prodotto lontano da qualsiasi fonte di calore e garantire sempre un'adeguata circolazione dell'aria attorno ad esso.
- Non sovraccaricare questo prodotto per molto tempo.
- Non forzare mai gli elementi di controllo (tasti, manopole, ecc.).
- Non utilizzare solventi, alcool, benzene o altre sostanze volatili per pulire le parti esterne di questo prodotto.



NOTE IMPORTANTI

Per evitare di verificarsi di disturbi sui cavi di segnale in linea, utilizzare solo cavi schermati ed evitare di avvicinarli a:

- **Apparecchiature che producono campi elettromagnetici ad alta intensità**
- **Cavi di alimentazione**
- **Linee di altoparlanti**



ATTENZIONE! CAUTELA! Per evitare il rischio di incendi o scosse elettriche, non esporre mai questo prodotto a pioggia o umidità.



ATTENZIONE! Per evitare il rischio di scosse elettriche, non collegare all'alimentazione di rete mentre la griglia è rimossa.



WARNING! Per ridurre il rischio di scosse elettriche, non smontare questo prodotto se non si è qualificati. Per l'assistenza rivolgersi a personale di assistenza qualificato

SMALTIMENTO CORRETTO DI QUESTO PRODOTTO



Questo prodotto deve essere consegnato a un sito di raccolta autorizzato per il riciclaggio di apparecchiature elettriche ed elettroniche (AEE). Una manipolazione impropria di questo tipo di rifiuti potrebbe avere un possibile impatto negativo sull'ambiente e sulla salute umana a causa di sostanze potenzialmente pericolose che sono generalmente associati alle AEE. Allo stesso tempo, la vostra collaborazione per il corretto smaltimento di questo prodotto contribuirà all'utilizzo efficace delle risorse naturali. Per ulteriori informazioni su dove sia possibile scaricare le attrezzature per il riciclaggio, si prega di contattare l'ufficio comunale locale, l'autorità competente per i rifiuti o il servizio di smaltimento dei rifiuti domestici .

CURA E MANUTENZIONE

Per garantire un servizio di lunga durata, questo prodotto deve essere utilizzato seguendo questi consigli:

- Se il prodotto deve essere installato all'aperto, assicurarsi che sia coperto e protetto da pioggia e umidità.
- Se il prodotto deve essere utilizzato in un ambiente freddo, riscaldare lentamente le bobine vocali inviando un segnale di basso livello per circa 15 minuti prima di inviare segnali ad alta potenza.
- Utilizzare sempre un panno asciutto per pulire le superfici esterne dell'altoparlante e farlo sempre quando l'alimentazione è spenta



CAUTELA! Per evitare di danneggiare le finiture esterne non utilizzare solventi per la pulizia o abrasivi.



ATTENZIONE! CAUTELA! Per gli altoparlanti alimentati, eseguire la pulizia solo quando l'alimentazione è spenta.

RCF S.p.A. si riserva il diritto di apportare modifiche senza preavviso per rettificare eventuali errori e/o omissioni.

Fare sempre riferimento all'ultima versione del manuale su www.rcf.it.

2. DESCRIZIONE

CMR 50T W e CMR 60T W sono diffusori acustici a due vie per l'installazione a controsoffitto, adatti per una vasta gamma di applicazioni. Grazie al loro design elegante e discreto ed alle rifiniture curate, sono indicati in tutte le condizioni ambientali ed architettoniche.

I due modelli differiscono per le dimensioni del woofer e per la potenza. Entrambi sono forniti di trasformatore per il collegamento a linee a tensione costante (70-100 V):

- **CMR 50T W** woofer 5", 40 W, con trasformatore di linea
- **CMR 60T W** woofer 6,5", 80 W, con trasformatore di linea

L'elevata qualità dei trasduttori, disposti in configurazione coassiale, garantisce una riproduzione musicale fedele e precisa in tutta la banda di frequenza e permette di raggiungere livelli di pressione sonora davvero notevoli per prodotti così compatti.


Il collegamento è semplice e sicuro grazie ai terminali a vite removibili a quattro poli.

La griglia frontale è fissata tramite magneti e può quindi essere facilmente rimossa per agire sul selettore di potenza il cui trasformatore permette la selezione tra cinque valori di potenza.

CARATTERISTICHE

- woofer da 5" (CMR 50T W) con bobina da 1";
- woofer da 6,5" (CMR 60T W) con bobina da 1,2";
- tweeter a cupola da 1" con magnete in neodimio e bobina da 1";
- corpo in plastica autoestinguenta e fondello in lamiera;
- trasformatore interno per il collegamento a linee a tensione costante 100 V / 70 V; la selezione della potenza tra 5 valori si effettua tramite selettore rotativo; è inoltre possibile il collegamento a bassa impedenza (8 Ω);
- connettore removibile EUROBLOCK a 4 poli (ingresso audio ed uscita in parallelo);
- griglia frontale in acciaio con aggancio magnetico;
- colore: bianco.

3. COLLEGAMENTO E SELEZIONE DELLA POTENZA

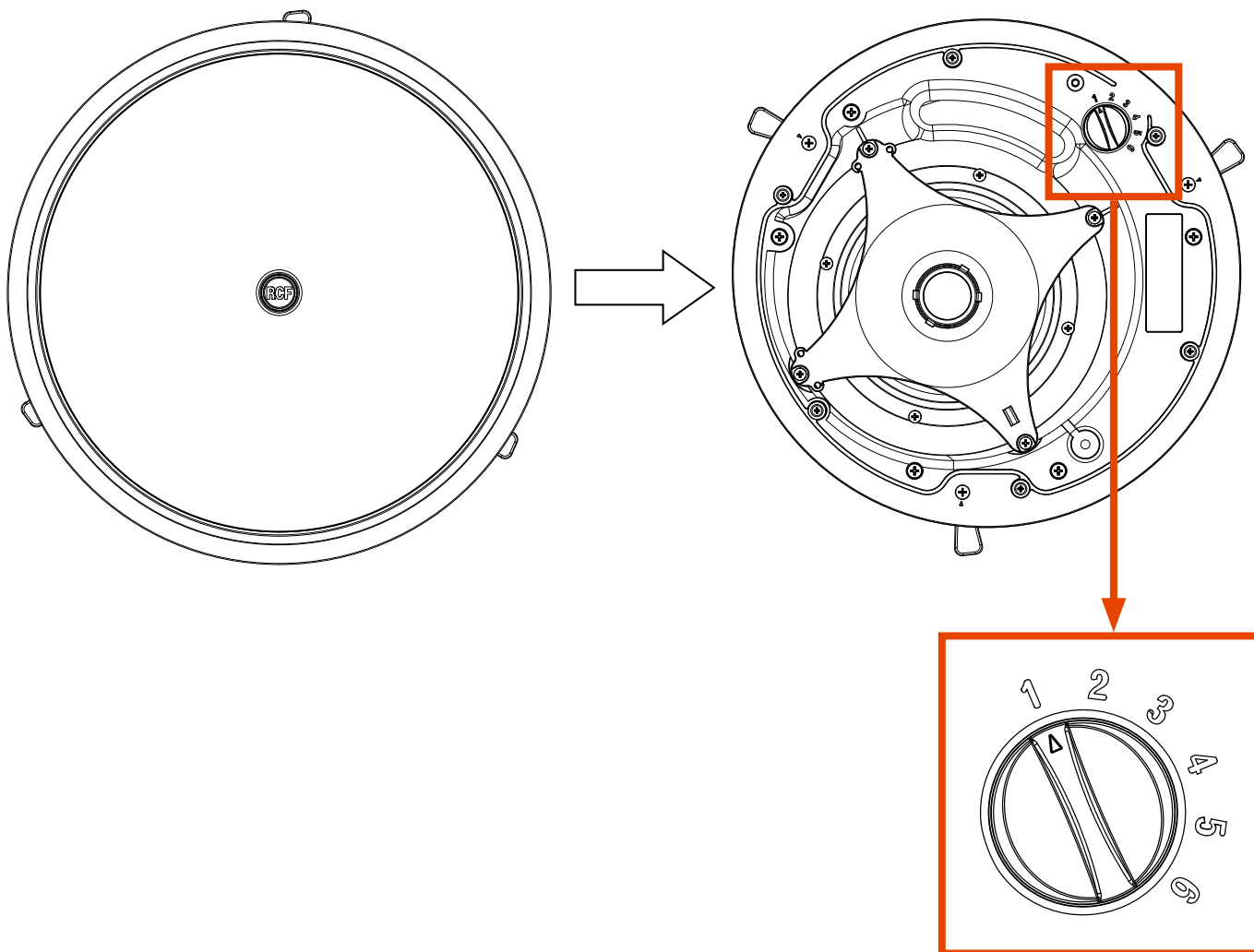
 **WARNING!** Per il collegamento dei diffusori acustici, si raccomanda di rivolgersi a personale qualificato ed addestrato avente conoscenze tecniche od esperienza od istruzioni specifiche sufficienti per permettergli di realizzare correttamente le connessioni e prevenire i pericoli dell'elettricità.

Per evitare il rischio di shock elettrici, non collegare diffusori acustici con l'amplificatore acceso. Prima di far funzionare il diffusore acustico, è buona norma ricontrollare tutte le connessioni, verificando in particolar modo che non vi siano dei cortocircuiti accidentali.

Tutto l'impianto di sonorizzazione dovrà essere realizzato in conformità con le norme e le leggi vigenti in materia di impianti elettrici. Per garantire una corretta riproduzione audio, effettuare il collegamento di tutti i diffusori acustici "in fase".

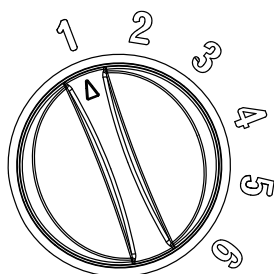
I diffusori CMR 50T W e CMR 60T W possono essere collegati a linee audio a tensione costante a 70 V / 100 V oppure a bassa impedenza (8 Ω).

Rimuovere le griglia frontale in acciaio (fissata tramite magneti e dotata di un cavetto di sicurezza) per accedere al selettore rotativo della potenza con indicazione della posizione da 1 a 6.



SELEZIONE DELLA POTENZA CON LINEA A TENSIONE COSTANTE 100 / 70 V

Se il diffusore acustico è collegato ad una linea a tensione costante, porre il selettore rotativo in una delle posizioni da 1 a 5 (70 V) o da 1 a 4 (100 V) per scegliere la potenza in funzione della tensione della linea.



CMR 50T W

POSIZIONE	1	2	3	4	5	6
70 V	2,5 W	5 W	10 W	20 W	40 W	8 Ω
100 V	5 W	10 W	20 W	40 W	N.C.	

CMR 60T W

POSIZIONE	1	2	3	4	5	6
70 V	5 W	10 W	20 W	40 W	80 W	8 Ω
100 V	10 W	20 W	40 W	80 W	N.C.	



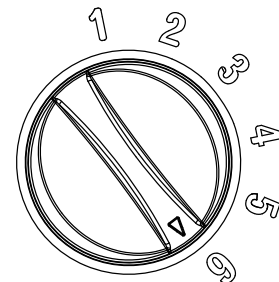
WARNING!

- NON selezionare la posizione 6 (8 Ω) (il diffusore acustico e l'amplificatore potrebbero danneggiarsi)!
- NON selezionare la posizione 5 con collegamento a linea 100 V!
- La tensione d'ingresso del diffusore (Vd) deve corrispondere con la tensione d'uscita dell'amplificatore (Va).
- La somma delle potenze nominali di tutti i diffusori (Pd x n) collegati alla linea non deve superare quella dell'amplificatore (Pa).

COLLEGAMENTO A BASSA IMPEDENZA (8 Ω)

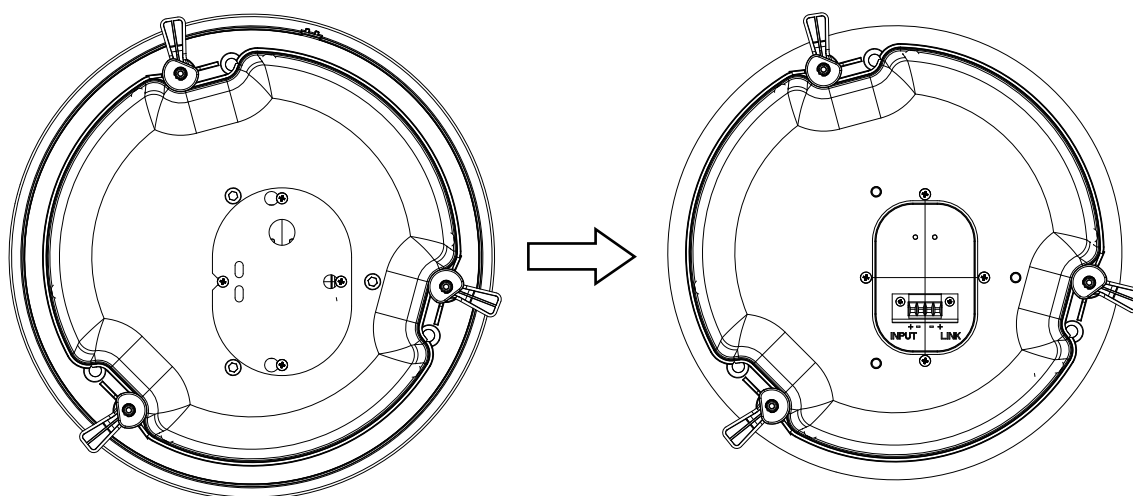
Impostare il selettore rotativo nella posizione 6 (8 Ω).

- L'impedenza totale dei diffusori non deve essere inferiore a quella d'uscita dell'amplificatore.
- L'impedenza complessiva dei diffusori uguale a quella d'uscita dell'amplificatore permette l'erogazione della massima potenza (mentre un'impedenza superiore comporta una riduzione della potenza erogata).
- La somma delle potenze dei diffusori deve essere adeguata alla potenza massima erogabile dall'amplificatore.
- La lunghezza delle linee diffusori deve essere ridotta al minimo (una lunga distanza può comportare l'uso di cavi con conduttori aventi sezioni elevate).
- L'impedenza di un singolo diffusore acustico è 8 Ω; ad esempio, il collegamento in parallelo di due diffusori acustici comporta un'impedenza complessiva di 4 Ω (impedenza = 8 / numero dei diffusori).



COLLEGAMENTO DELLA LINEA

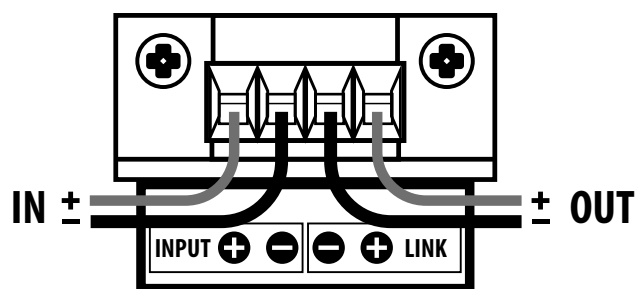
Rimuovere il coperchio metallico di protezione sul fondello/retro del diffusore acustico per accedere alla presa per connettore removibile "Euroblock".



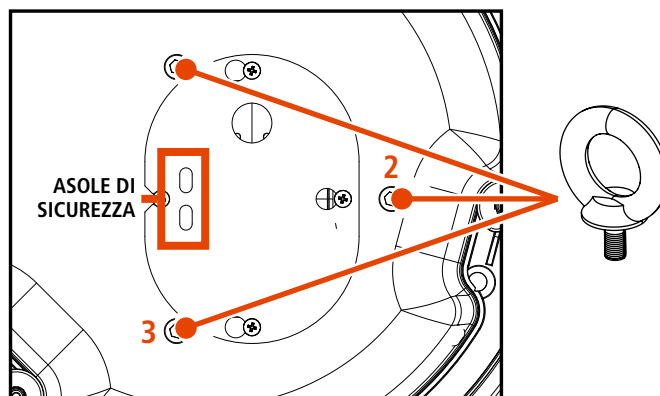
I due contatti INPUT (+ e -) permettono il collegamento del cavo d'ingresso, i due contatti LINK (+ e -) di un eventuale cavo d'uscita per la connessione in parallelo di altri diffusori acustici.

Sezione utilizzabile dei conduttori: da 0,75 mm² a 2,5 mm².

1. Collegare il conduttore positivo della linea all'ingresso **INPUT +**.
2. Collegare il conduttore negativo della linea all'ingresso **INPUT -**.
3. Se necessario, collegare allo stesso modo il cavo d'uscita (destinato alla connessione in parallelo di altri diffusori acustici) ai contatti **LINK +** e **LINK -**.
4. Rimettere il coperchio metallico di protezione sul fondello.

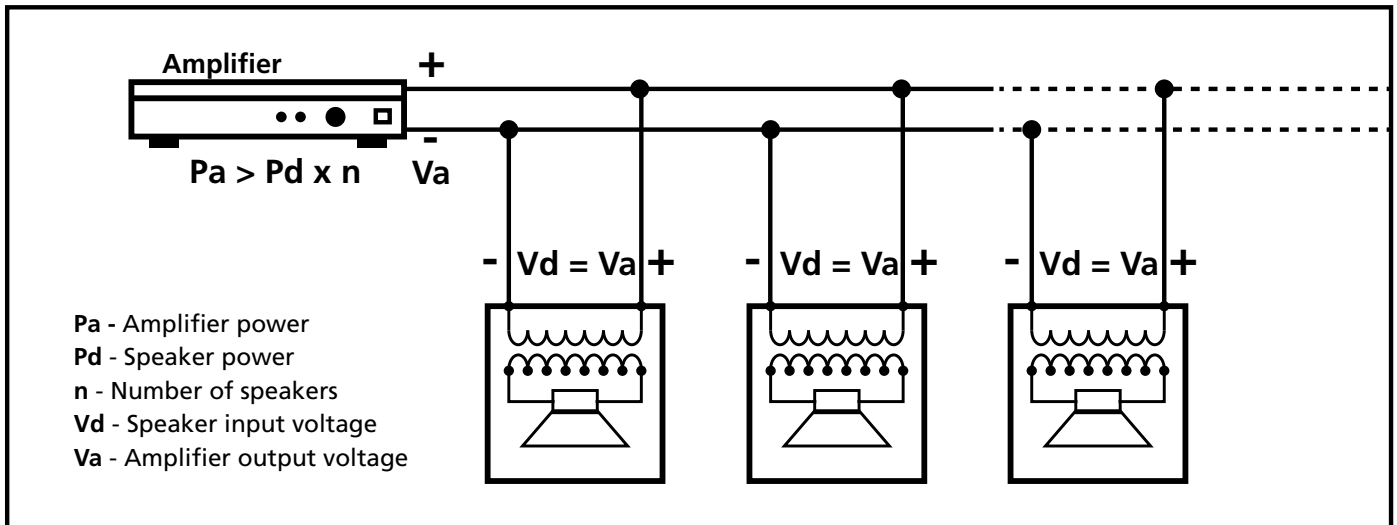


⚠ ATTENZIONE! Ricordarsi di fissare un cavo di sicurezza (non incluso) su una superficie indipendente e solida come una trave o un muro e assicurarlo alle asole di sicurezza del diffusore o al golfare in dotazione (o entrambi, se necessario, per una maggiore sicurezza); il golfare deve essere saldamente avvitato ad uno dei tre punti di ancoraggio (1, 2, 3). Il cavo dovrà essere adeguato alle dimensioni e al peso del diffusore e, in caso di caduta, dovrà essere in grado di sostenere saldamente il diffusore ed evitare possibili danni o lesioni.



4. NOTE SUI SISTEMI A TENSIONE COSTANTE

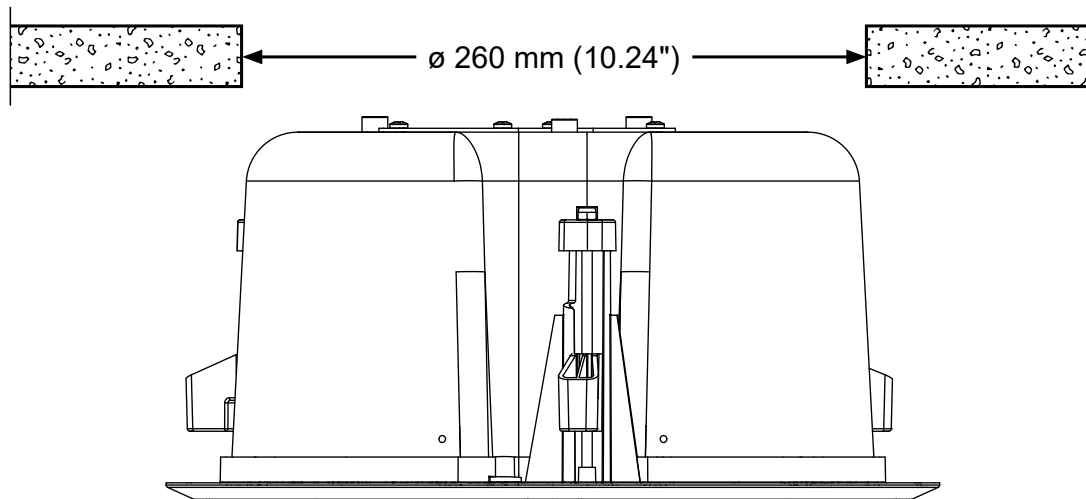
- La tensione d'ingresso del diffusore (V_d) deve corrispondere con la tensione d'uscita dell'amplificatore (V_a).
- La somma delle potenze nominali di tutti i diffusori ($P_d \times n$) collegati alla linea non deve superare quella dell'amplificatore (P_a).
- Per garantire una corretta riproduzione audio, effettuare il collegamento di tutti i diffusori "in fase".



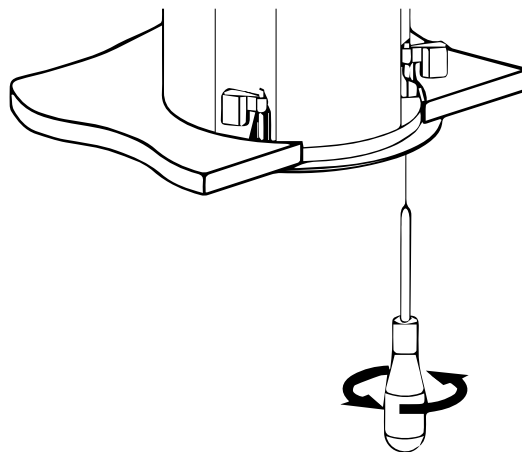
- Utilizzare dei cavi con conduttori aventi una sezione adeguata, considerando la loro lunghezza e la potenza complessiva dei diffusori.
- Per evitare che fenomeni induttivi diano luogo a ronzii, disturbi e compromettano il funzionamento del sistema, i cavi per i diffusori non devono essere canalizzati assieme ai conduttori dell'energia elettrica, ai cavi microfonici od altre linee.
- Per minimizzare gli effetti induttivi (ronzii) dovuti all'accoppiamento con campi elettromagnetici circostanti, utilizzare cavi con conduttori intrecciati.

⚠ ATTENZIONE! Installare ogni diffusore acustico in modo stabile e sicuro, in modo da evitare qualsiasi condizione di pericolo per l'incolumità di persone o strutture. Controllare che il controsoffitto abbia le necessarie caratteristiche meccaniche, tali da consentirgli di sopportare il peso del diffusore acustico senza il pericolo di cadute.

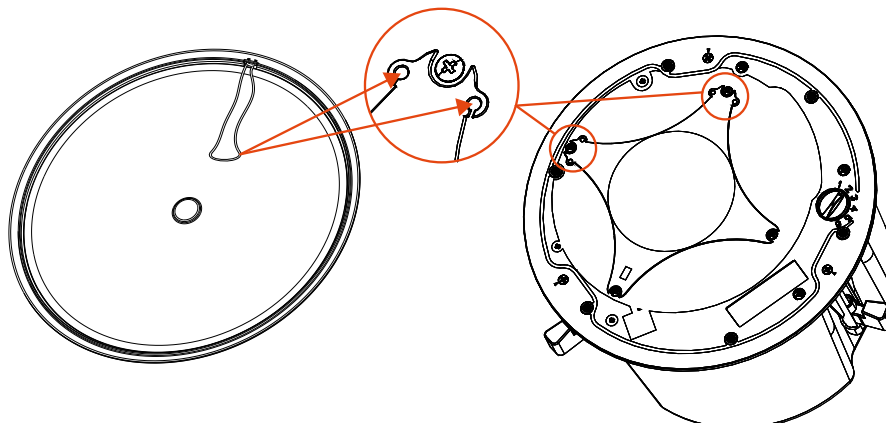
1. Praticare un foro circolare con diametro \varnothing di 260 mm nel controsoffitto nel punto prescelto per l'installazione del diffusore.



2. Collegare elettricamente il diffusore acustico come descritto nella sezione precedente.
3. Inserire completamente il diffusore acustico nel foro del controsoffitto.
4. Avvitare in senso orario le 3 viti che ruotano i rispettivi 3 morsetti di bloccaggio (alette in plastica) del diffusore acustico, in modo da fissarlo al controsoffitto. **Nota: per rimuovere il diffusore acustico dal controsoffitto (se necessario), ruotare le 3 viti in senso antiorario.**

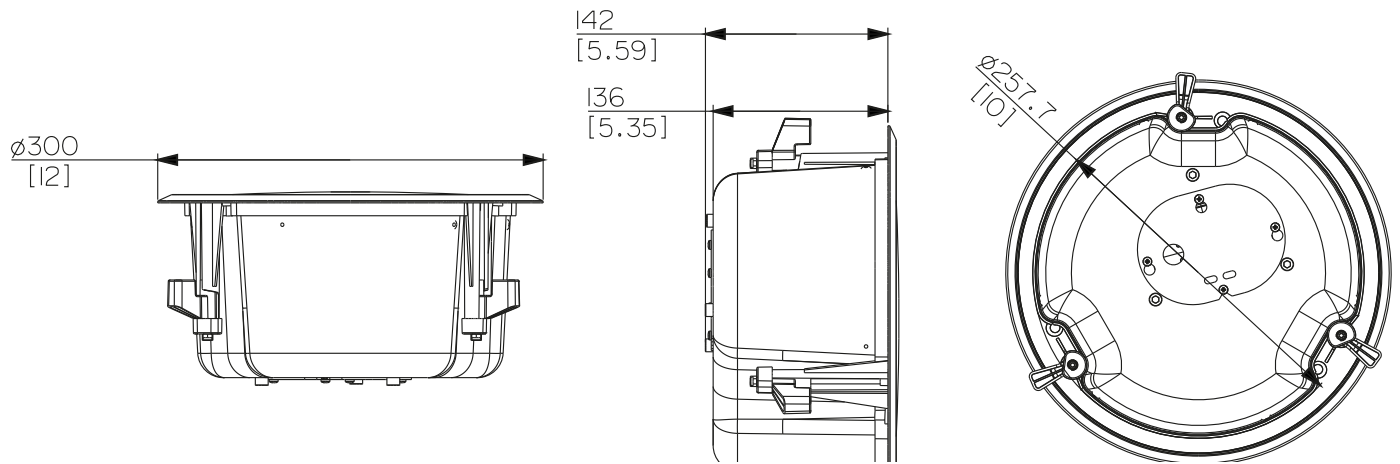


5. Montare la griglia frontale del diffusore acustico. La griglia è fissata tramite dei magneti ed è dotata di un cavetto di sicurezza (incluso) che deve essere agganciato nelle apposite asole presenti sulla tromba del tweeter.



TECHNICAL SPECIFICATIONS		CMR 50T W	CMR 60T W
Acoustical specifications	Frequency Response (-10dB):	80 Hz ÷ 20000 Hz	70 Hz ÷ 20000 Hz
	Max SPL @ 1m:	110 dB	114 dB
	Coverage angle:	130°	130°
	System Sensitivity:	88 dB	89 dB
Power section	Amplification:	Full Range	Full Range
	Nominal Impedance:	8 ohm	8 ohm
	Power Handling:	40 W RMS	80 W RMS
	Peak Power Handling:	160 W PEAK	320 W PEAK
	Recommended Amplifier:	80 W	160 W
	Crossover Frequencies:	2500	2500
Transducers	Dome Tweeter:	1.0" neo, 1.0" v.c	1.0" neo, 1.0" v.c
	Woofer:	5.0", 1.0" v.c	6.5", 1.2" v.c
Input/Output section	Input connectors:	Euroblock	Euroblock
	Output connectors:	Euroblock	Euroblock
	Constant Voltage Transformer:	70/100 V	70/100 V
	Power selection 1:	40 W - 250 ohm	80 W - 125 ohm
	Power selection 2:	20 W - 500 ohm	40 W - 250 ohm
	Power selection 3:	10 W - 1000 ohm	20 W - 500 ohm
	Power selection 4:	5 W - 2000 ohm	10 W - 1000 ohm
	Power selection 5:	2.5 W - 4000 ohm	5 W - 2000 ohm
Standard compliance	Safety agency:	CE compliant, UL 1480A	CE compliant, UL 1480A
Physical specifications	Cabinet/Case Material:	ABS	ABS
	Hardware:	Steel backcan	Steel backcan
	Grille:	Steel	Steel
	Color:	White - RAL 9003	White - RAL 9003
Size	Depth:	151 mm / 5.94 inches	202 mm / 7.95 inches
	Recessed Depth:	142 mm / 5.59 inches	193 mm / 7.6 inches
	Diameter:	300 mm / 11.81 inches	300 mm / 11.81 inches
	Cut out diameter:	260 mm / 10.24 inches	260 mm / 10.24 inches
	Weight:	4 kg / 8.82 lbs	4.5 kg / 9.92 lbs
Shipping information	Package Height:	229 mm / 9.02 inches	280 mm / 11.02 inches
	Package Width:	362 mm / 14.25 inches	362 mm / 14.25 inches
	Package Depth:	362 mm / 14.25 inches	362 mm / 14.25 inches
	Package Weight:	5.5 kg / 12.13 lbs	6 kg / 13.23 lbs

CMR 50T W



CMR 60T W

