

FL-B HDL 10

SUSPENDING BAR FOR HDL 10-A

DESCRIPTION

Flybar for HDL 10-A + 1x Pickup Tab with Shackle + Stacking Bar. Pins included.



FEATURES

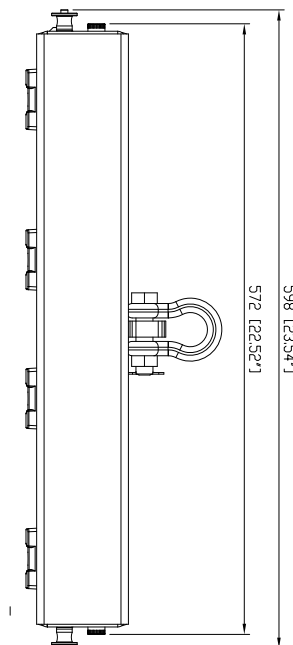
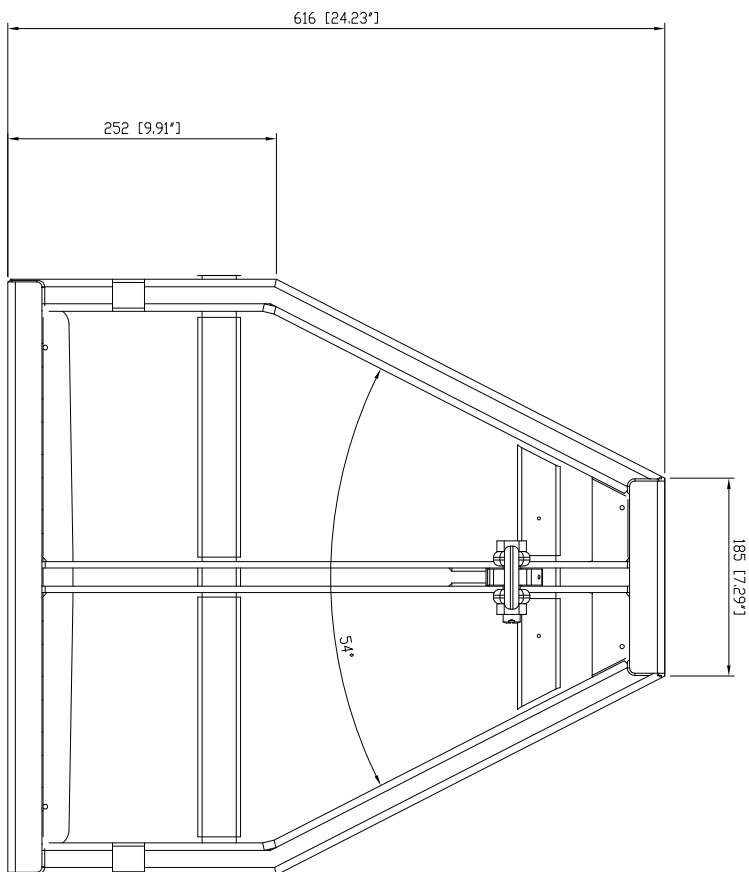
- To suspend up to 16 HDL 10-A modules
- Strong steel construction

**TECHNICAL SPECIFICATIONS**

General specifications	Pins Included	3
	Stack Bar Included	Yes
	Other Components Included	Fly Bar Pickup HDL 20
	Max number of speaker	16
<hr/>		
Standard compliance	CE marking:	Yes
<hr/>		
Physical specifications	Cabinet/Case Material:	Steel
	Color:	Black, White
<hr/>		
Size	Weight:	18 kg / 39.68 lbs
<hr/>		
Shipping informations	Package Height:	130 mm / 5.12 inches
	Package Width:	660 mm / 25.98 inches
	Package Depth:	615 mm / 24.21 inches
	Package Weight:	22.8 kg / 50.27 lbs

PART NUMBER

- **13360314**
FL-B HDL 10 W
White
EAN 8024530012472
- **13360274**
FL-B HDL 10
Black
EAN 8024530012625



FLYBAR HDL10-A
HDL15-AS

