



FL-B LGT HDL 10

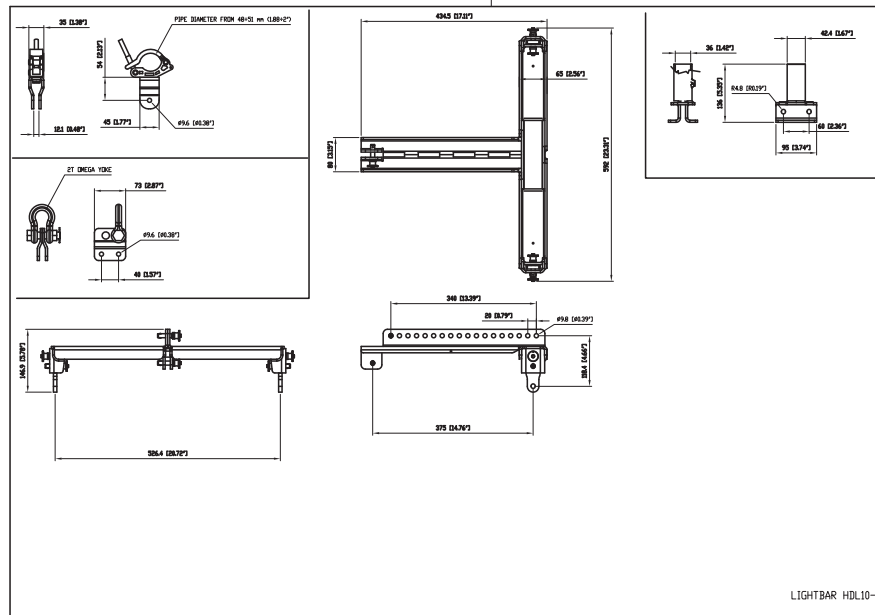
SUSPENDING BAR FOR HDL 10-A



Description Flybar for HDL 10-A + Pole Mount + 1x Pickup Tab with Shackle + Stacking Bar. Pins included.

Standard compliance	Safety agency	CE compliant
Size / Weight	Weight	6.4 kg / 14.11 lbs
Physical specifications	Color	White, Black

Line Art 2D



Part Number	13360276 FL-B LGT HDL 10	Black	EAN 8024530012632
	13360313 FL-B LGT HDL 10 W	White	EAN 8024530012489

Technical Specifications

Products are continually improved. All specifications are therefore subject to change without notice.