



FL-B PK HDL 20-18

PICKUP ACCESSORY



Description

Pickup Tab with Shackle for HDL 20-A and HDL 18-AS. To be added to the flybar when rigging with 2 motors. Pins included.

Standard compliance

Safety agency

CE compliant

Size

Weight

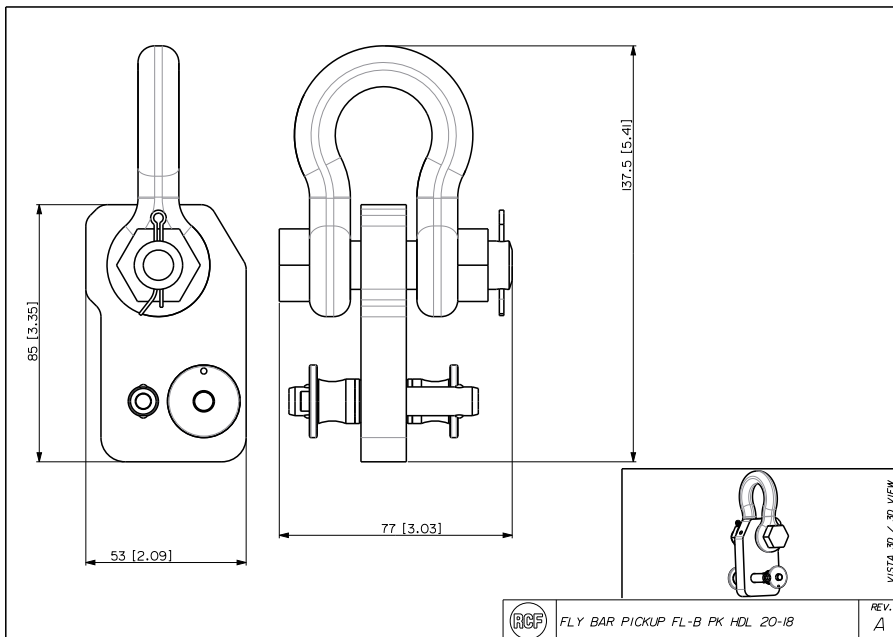
0.95 kg / 2.09 lbs

Physical specifications

Color

Black

Line Art 2D



Part Number

13360221 FL-B PK HDL 20-18

Black

EAN 8024530018221

Technical Specifications

Products are continually improved. All specifications are therefore subject to change without notice.