



FL-B V Q 15

VERTICAL FLY BAR



Description

FL-B V Q 15 is an accessory that allow to create a vertical cluster of Q 15 speakers. Thanks to the mechanics integrated in the speaker, it is easy to create an array with up to 8 modules, using one or two bars depending on the desired configuration.

Standard compliance

Safety agency

CE compliant

Size

Weight

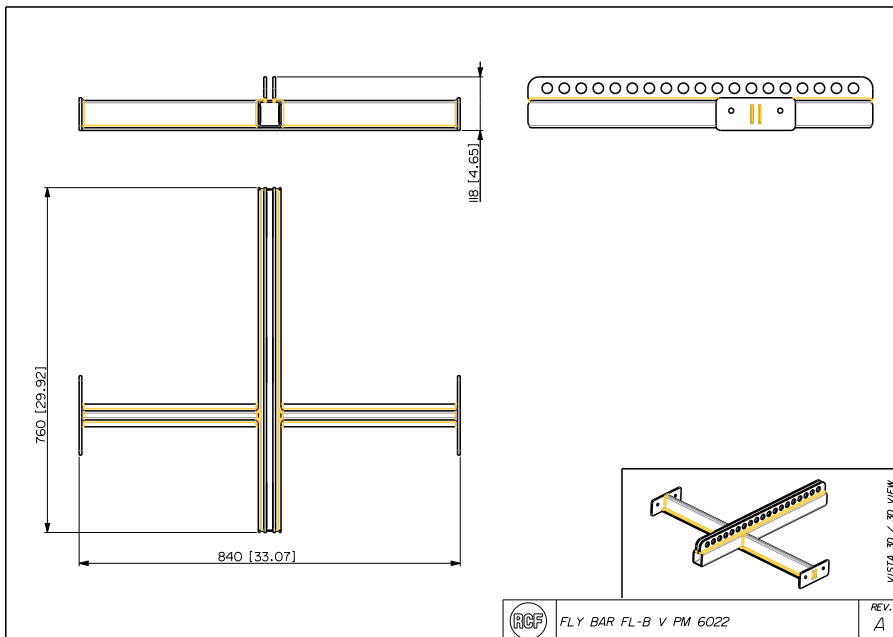
20 kg / 44.09 lbs

Physical specifications

Color

Black - RAL 9005

Line Art 2D



Part Number

13360457 FL-B V Q 15

Black - RAL 9005 EAN 8024530019082

Technical Specifications

Products are continually improved. All specifications are therefore subject to change without notice.