



HD 210TY

ALUMINIUM HORN SPEAKER WITH DRIVER AND TRANSFORMER



Description The HD 210/T are compact, lightweight and watertight horn speakers. They are designed to provide high efficiency and characterized by the high intelligibility of the reproduced sound with low distortion. The built-in line transformer makes it possible to connect the horn loudspeaker to both 50 and 100 V constant voltage lines, and select the delivered power by means of a rotary dial on the rear cover

- Features**
- › Built-in line transformer with multitap power selector on rear cover
 - › Hi-pass filter for protecting driver against out-of-range low-freq
 - › IP 66 construction for indoor-outdoor environmental temperature between -25°C to +70°C
 - › Aluminium flare with UV-stabilized autoextinguishing UL-HB ABS rear cover
 - › Colour RAL 7035
 - › Stainless-Steel mounting hardware
 - › Double insulation design

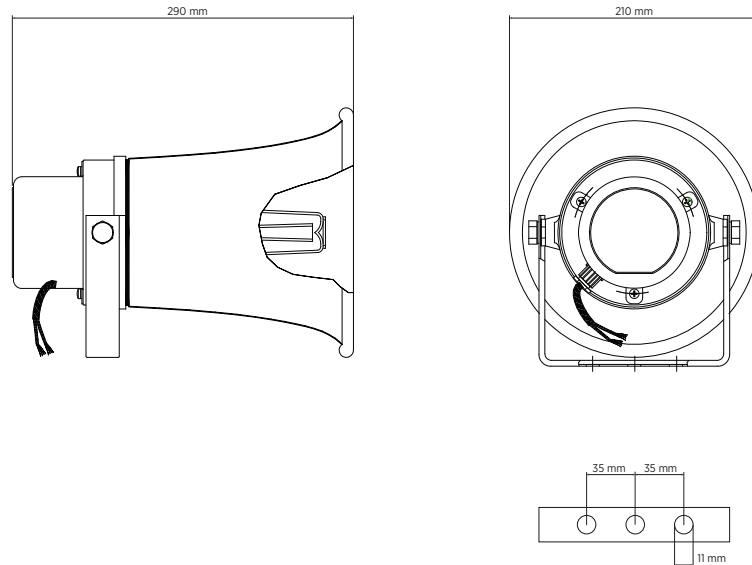
Part Number 13100018 HD 210TY Grey - RAL 7035 EAN 8024530014346



HD 210TY

ALUMINIUM HORN SPEAKER WITH DRIVER AND TRANSFORMER

Line Art 2D



TECHNICAL SPECIFICATIONS

Acoustical specifications	Frequency Response (-10dB)	300 Hz - 9000 Hz
	Max SPL @ 1m	123 dB
	Coverage angle	70°
	System Sensitivity	108 dB
Power section	Power Handling	20 W
	Peak Power Handling	80 W PEAK
Transducers	Compression Driver	1 x 1.3"
Input/Output section	Input connectors	Cable
	Output connectors	Cable
	Constant Voltage Transformer	100 V
	Power selection 1	20 W - 500 ohm
	Power selection 2	10 W - 1000 ohm
	Power selection 3	5 W - 2000 ohm
Standard compliance	Power selection 4	2.5 W - 4000 ohm
	IP protection grade	IP 66
Physical specifications	Safety agency	CE compliant
	Cabinet/Case Material	Aluminum
	Hardware	Stainless steel U bracket
	Color	Grey - RAL 7035
Size / Weight	Depth	290 mm / 11.42 inches
	Diameter	210 mm / 8.27 inches
	Weight	2.41 kg / 5.31 lbs