



HDL 50-A

ACTIVE THREE-WAY LINE ARRAY MODULE



Description

The HDL 50-A is a true active high power speaker system ready to use touring system for large events, indoors and outdoors. Equipped with 2x12" woofers, 4x symmetrical 6.5" midranges and two 2" drivers, it offers excellent playback quality and high sound pressure levels with a built in 2200W RMS powerful digital amplifier that delivers superior SPL, while reducing energy requirement. Using advanced neodymium magnets and a groundbreaking new housing constructed from lightweight plywood and polypropylene, it has a remarkably low weight for easy handling and flying. The HDL 53-AS is the ideal flyable bass complement for the HDL 50-A array system.

Features

- › 4400 Watt, 3 way amplification
- › 140 dB max SPL
- › 8 x high power neodymium transducers
- › 48 kHz, 32 bit DSP processing
- › RDNet on board
- › Remote monitoring and control
- › Symmetrical design
- › Extremely low weight

Part Number

13000477 HDL 50-A

90-240 V

Black

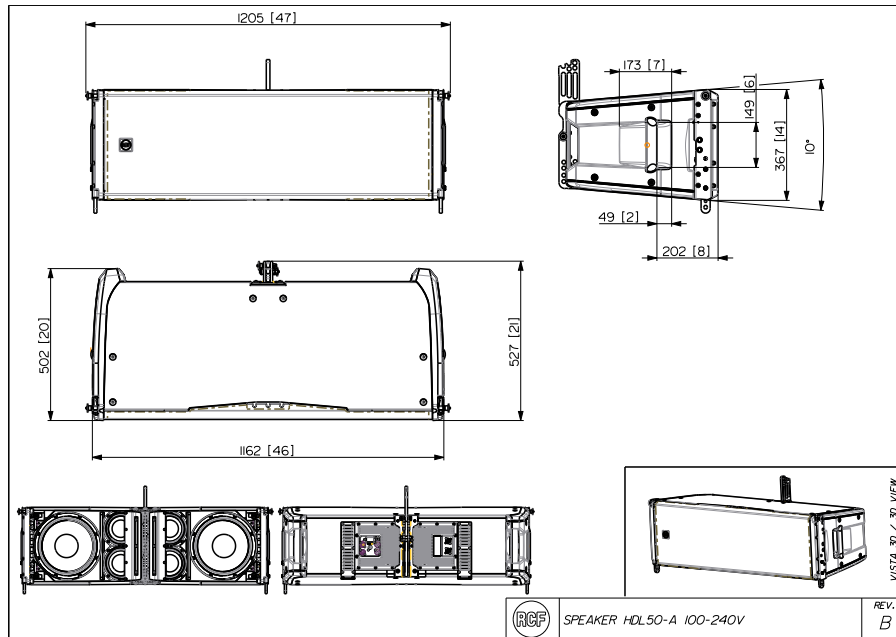
EAN 8024530013509



HDL 50-A

ACTIVE THREE-WAY LINE ARRAY MODULE

Line Art 2D



TECHNICAL SPECIFICATIONS

Acoustical specifications	Frequency Response	40 Hz ÷ 20000 Hz
	Max SPL @ 1m	140 dB
	Horizontal coverage angle	90°
	Vertical coverage angle	10°
Transducers	Compression Driver	2 x 1.4" neo, 3.0" v.c
	Midrange	4 x 6.0" neo, 2.0" v.c
	Woofer	2 x 12" neo, 3.0" v.c
Input/Output section	Input signal	bal/unbal
	Input connectors	XLR, RDNet Ethercon
	Output connectors	XLR, RDNet Ethercon
	Input sensitivity	+4 dBu
Processor section	Crossover Frequencies	200 Hz - 800 Hz
	Protections	Thermal, RMS
	Limiter	Soft Limiter
	Controls	Cluster size, HF correction, RDNET
Power section	Total Power	4400 W Peak, 2200 W RMS
	High frequencies	1100 W Peak, 550 W RMS
	Mid frequencies	1100 W Peak, 550 W RMS
	Low frequencies	2200 W Peak, 1100 W RMS
	Cooling	Convection
	Connections	Powercon IN/OUT
	Standard compliance	Safety agency
Physical specifications	Cabinet/Case Material	Baltic birch plywood
	Hardware	Integrated Mechanics
	Handles	2 side, 2 rear
	Grille	Steel
	Color	Black



HDL 50-A

ACTIVE THREE-WAY LINE ARRAY MODULE

Size / Weight	Height	366 mm / 14.41 inches		
	Width	1171 mm / 46.1 inches		
	Depth	502 mm / 19.76 inches		
	Weight	56 kg / 123.46 lbs		
Rigging / Mounting	ACCESSORIES			
	AZIMUT BRACKETS			
	13360351 AZM-BR 2X	Black	EAN 8024530013516	
	FLY BAR EXTENSION			
	13360452 FL-B EXT HDL 50	Black	EAN 8024530019716	
	FLY BARS			
	13360334 FL-B HDL 50	Black	EAN 8024530013240	
	QUICK LOCK PINS			
	13360613 QL-PIN 007	Black	EAN 8024530020644	
	13360633 QL-PIN 010	Black	EAN 8024530022426	
	13360335 QL-PIN D11.2 L31 4X		EAN 8024530013257	
	13360340 QL-PIN D12.6 L32 4X		EAN 8024530013264	
	SUSPENSION CHAINS			
	13360129 HOIST SPACING CHAIN CH 001	Black	EAN 8024530020774	
	Protections	COVERS		
		13360338 CVR 4X HDL 50		EAN 8024530013554
	Transportation	RAIN PROTECTIONS		
		13360337 RP 1X HDL 50	Black	EAN 8024530013288
	Electronics	KART WITH WHEELS		
		13360336 KRT-WH 4X HDL 50	Black	EAN 8024530013271
	Cables	BOARDS		
		12399061 HDL 50 UPGRADE KIT 4K		EAN 8024530017552
Cables	CABLES			
	12399019 CBL ETHERCON TO XLR F 0.2M	Black	EAN 8024530013882	
	12399020 CBL ETHERCON TO XLR M 0.2M	Black	EAN 8024530013899	
	CABLES KIT			
	13360102 AC XLR 3M3F		EAN 8024530006402	
	12399016 CBL ETHERCON 0.7M	Black	EAN 8024530013844	
	12399017 CBL ETHERCON 1.5M	Black	EAN 8024530013851	
	12399035 CBL ETHERCON 3M	Black	EAN 8024530013868	
	12399018 CBL ETHERCON 5M	Black	EAN 8024530013875	
	12399023 CBL LK 25 MULTIPIN 10M	Black	EAN 8024530013837	
	12399022 CBL LK 25 MULTIPIN 20M	Black	EAN 8024530013820	
	12399024 CBL LKS 19 ARRAY FANOUT	Black	EAN 8024530013905	
	12399026 CBL LKS 19 BREAKOUT	Black	EAN 8024530013929	
	12399027 CBL LKS 19 POWER 10M	Black	EAN 8024530013936	
	13360146 CBL LKS 19 POWER 20M		EAN 8024530013943	
	12399025 CBL LKS 19 SUB FANOUT	Black	EAN 8024530013912	
	12399021 CBL LKS 25-2 FANOUT	Black	EAN 8024530013813	
	13360145 CBL POWER BOX 6X	Black	EAN 8024530015534	
	12399031 CBL POWERCON LINK 0.7M	Black	EAN 8024530013738	
	12399030 CBL POWERCON LINK 1.5M	Black	EAN 8024530013721	
	12399028 CBL POWERCON LINK 10M	Black	EAN 8024530013707	
	12399029 CBL POWERCON LINK 5M	Black	EAN 8024530013714	
13360138 POWER CABLE X6 TTL 55-A				