



M 602

TWO-WAY PASSIVE SPEAKER



Description

M 602 is a multipurpose two-way twin-woofer full-range speaker system, suitable in a wide range of installations. The compactness, together with the elegant and neutral design with accurate finishing make M 602 suitable for almost any environment and architectural constraint. Available mounting accessories allow you to use the M 602 wall or ceiling mounted, with reference to the several possible applications. The M 602 has a controlled coverage through its twin 6" and the precise constant directivity horn. The SPL and the level of undistorted sound the M 602 can reach is far above any expectation from such a compact solution. The M 602 features high sensitivity thanks to the use of oversized magnets and a comfortable sound quality with smooth and wide frequency response performed thanks to the Kapton diaphragm compression driver loaded with a constant directivity horn. The LICC crossover design includes an electronic protection on high frequency device.

Features

- › High Quality 2-way passive loudspeaker
- › 2 x 6.5" woofer, vented
- › 1 x 1" in driver, on 90°x90° CD horn
- › High Power Handling 'Low Impedance Compensated Crossover', with electronic protection for the driver
- › 120W AES power handling
- › Steel Front Grille with robust double mesh polyester clothing
- › Rotatable RCF front logo
- › Installation points are available on the rear panel, top and bottom
- › All models have a 4-pin EUROBLOCK connector (audio input and parallel link output)

Part Number

13041012 M 602 8ohm Black EAN 8024530007553

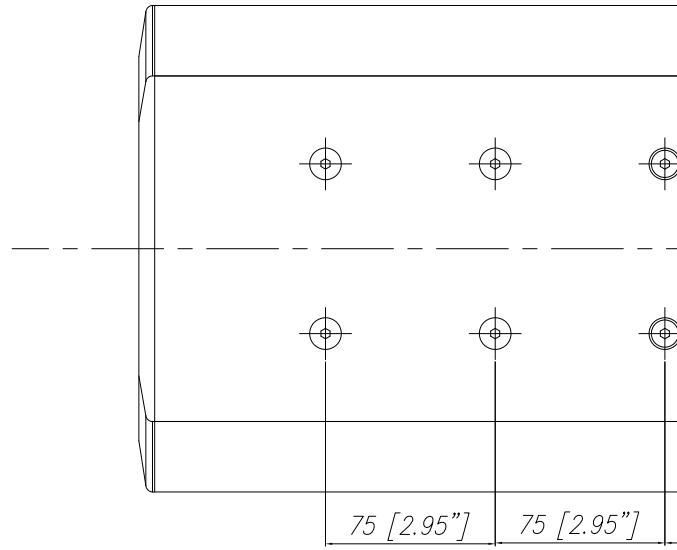


M 602

TWO-WAY PASSIVE SPEAKER

215 [8.46"]

Line Art 2D



Acoustical specifications

TECHNICAL SPECIFICATIONS

Frequency Response (-10dB)	70 Hz ÷ 20000 Hz
Max SPL @ 1m	122 dB
Horizontal coverage angle	90°
Vertical coverage angle	90°
Directivity index Q	10
System Sensitivity	95 dB

Power section

Nominal Impedance	8 ohm
Power Handling	120 W
Peak Power Handling	480 W PEAK
Protections	Dynamic active mosfet
Crossover Frequencies	2000 Hz

Transducers

Compression Driver	1.0", 1.5" v.c
Woofer	2 x 6.5", 1.5" v.c

Input/Output section

Input connectors	Euroblock
Output connectors	Euroblock

Standard compliance

Safety agency	CE compliant
---------------	--------------

Physical specifications

Cabinet/Case Material	MDF
Hardware	8 x M6, 2 x M10
Grille	Steel with robust double mesh polyester clothing
Color	Black

Size

Height	540 mm / 21.26 inches
Width	215 mm / 8.46 inches
Depth	230 mm / 9.06 inches
Weight	11.6 kg / 25.57 lbs