

MF 33EN

TWO-WAY PASSIVE CEILING SPEAKER

DESCRIPTION

MF 33EN is a two-way ceiling speaker designed for recess installation into ceilings or panels. It is especially suitable for broadcasting background music into commercial spaces, but also alarm messages thanks to the highly intelligible voice reproduction and the EN 54-24 certification. It features a UL rated plastic cabinet with a steel magnetic grille and is extremely easy to install. The terminal connection blocks, for input and output flameproof cables, are made of ceramic material. A thermal fuse protects the integrity of the line in case of heat affecting the speaker.



FEATURES

- 2 x 3" fullrange transducers with 1" dome tweeter
- Power selectable (70 V / 100 V): 40 W - 20 W - 10 W - 5 W - 2.5 W
- 88 dB sensitivity
- Colour black RAL 9005
- Voice Alarm EN 54-24 Certified
- In/out ceramic terminal block
- Thermal fuse protection
- UL rated plastic enclosure

TECHNICAL SPECIFICATIONS

Acoustical specifications	Frequency Response (-10dB):	80 Hz ÷ 22000 Hz
	Max SPL @ 1m:	105 dB
	Max SPL @ 4m:	93 dB
	Horizontal coverage angle:	100°
	Vertical coverage angle:	160°
	System Sensitivity:	88 dB
	System Sensitivity 1W @ 4m:	76 dB
Power section	Amplification:	Full Range
	Nominal Impedance:	8 ohm
	Power Handling:	40 W
	Peak Power Handling:	160 W PEAK
	Protections:	Thermal fuse - PTC
	Crossover Frequencies:	2500
	Recommended Amplifiers:	DMA 504, DMA 162, DMA 82, DMA 162P, DXT 3000, DXT 4000, DXT 7000
Transducers	Dome Tweeter:	1.0" neo, 1.0" v.c
	Woofer:	2 x 3.0", 1.0" v.c
Input/Output section	Input connectors:	Ceramic screw terminals
	Output connectors:	Ceramic screw terminals
	Constant Voltage Transformer:	70/100 V
	Power selection 1:	40 W - 250 ohm
	Power selection 2:	20 W - 500 ohm
	Power selection 3:	10 W - 1000 ohm
	Power selection 4:	5 W - 2000 ohm
Power selection 5:	2.5 W - 4000 ohm	
Standard compliance	Safety agency:	CE compliant
	EN54-24 certified:	Yes
	CPR number:	0068/CPR/057-2019
Physical specifications	Hardware:	Ceiling mount brackets
	Color:	Black - RAL 9005
Size	Height:	516 mm / 20.31 inches
	Width:	94 mm / 3.7 inches
	Depth:	181 mm / 7.13 inches
	Recessed Depth:	178 mm / 7.01 inches
	Weight:	3.4 kg / 7.5 lbs
Shipping information	Package Height:	186 mm / 7.32 inches
	Package Width:	596 mm / 23.46 inches
	Package Depth:	276 mm / 10.87 inches
	Package Weight:	7 kg / 15.43 lbs



PART NUMBER

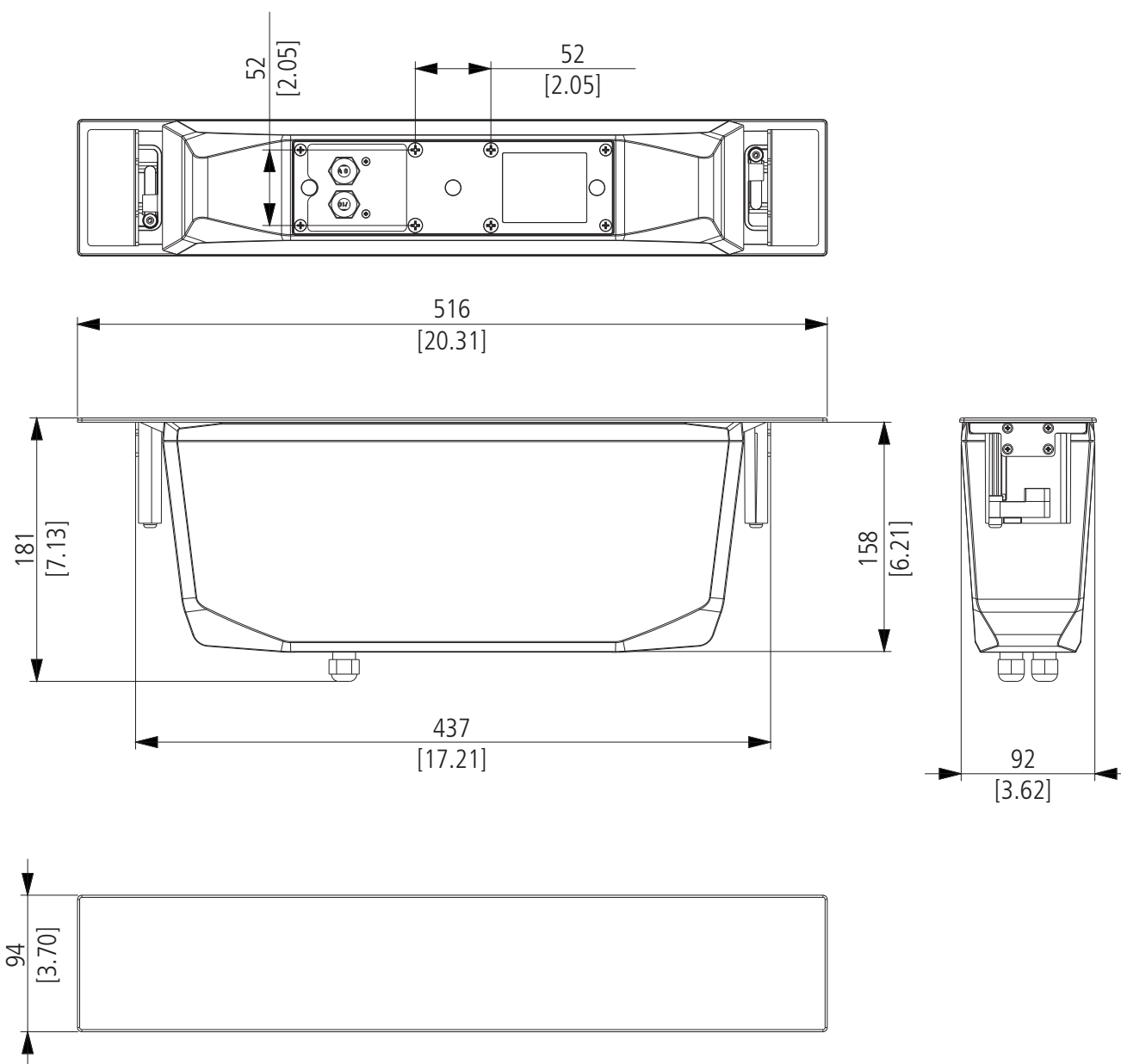
- **13100043**

MF 33EN

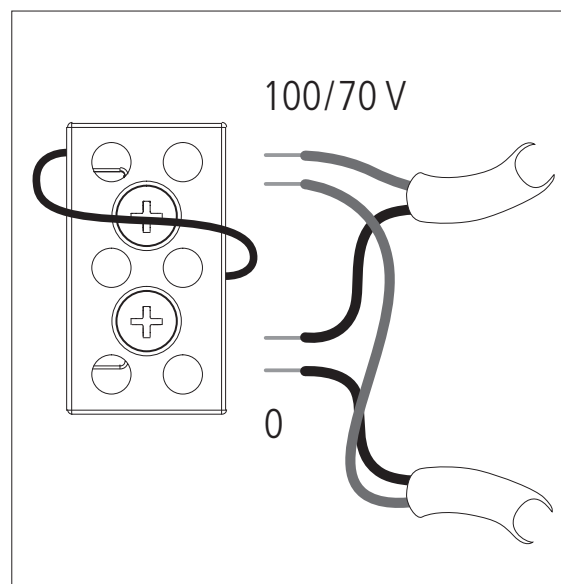
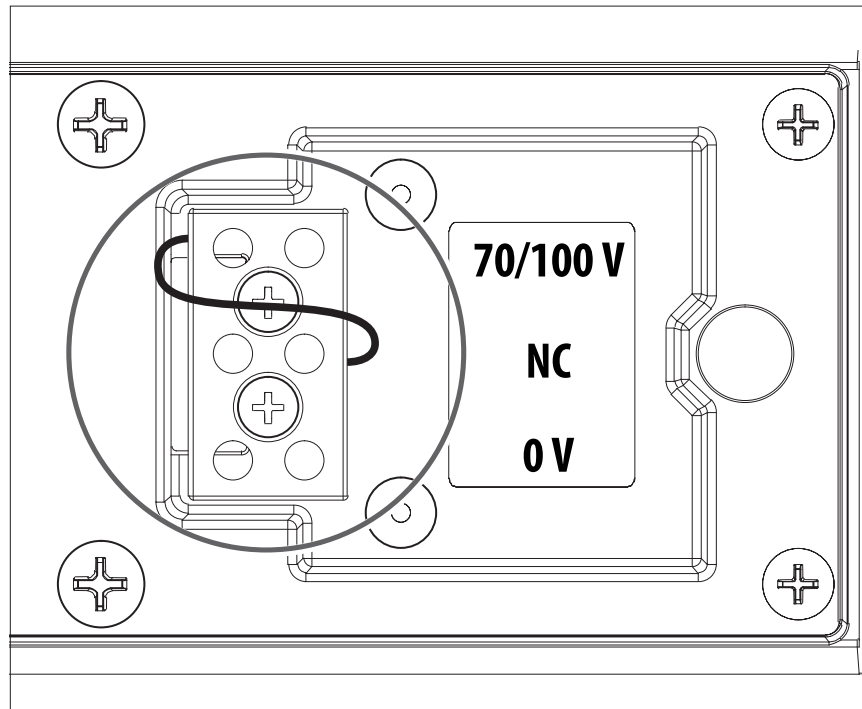
EAN 8024530016463

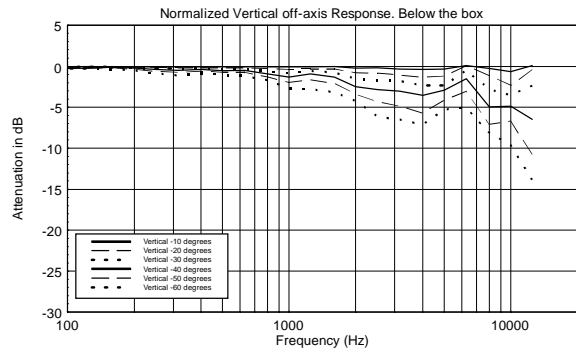
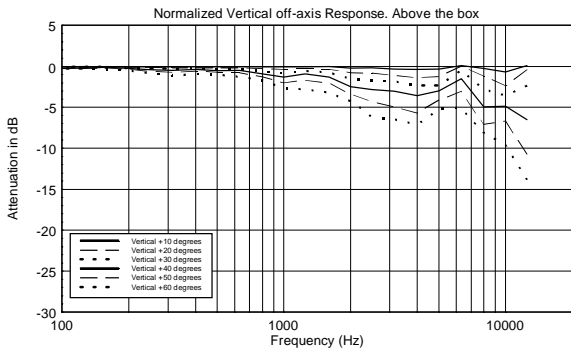
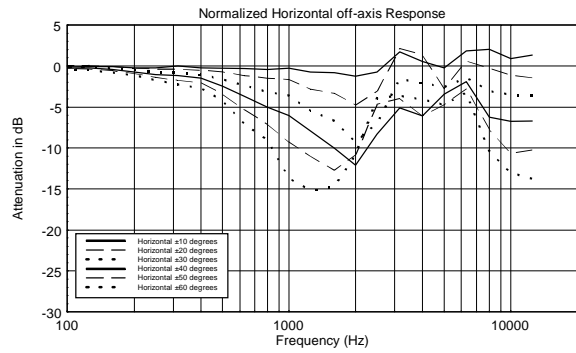
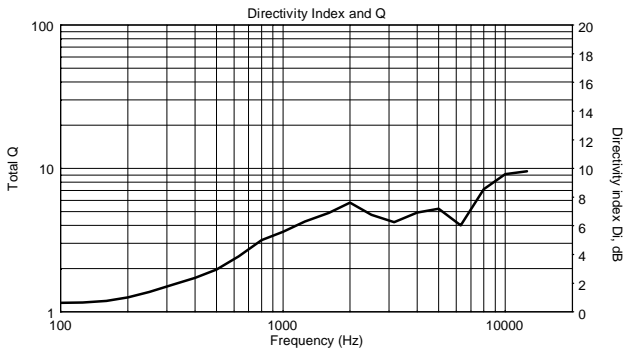
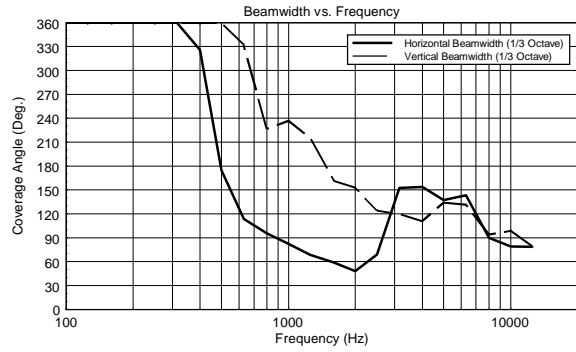
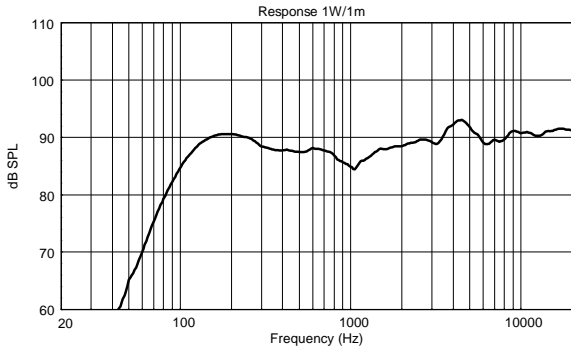
DRAWINGS

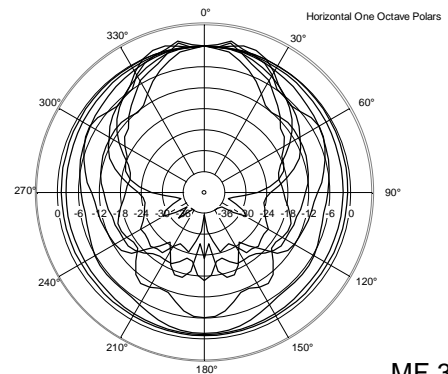
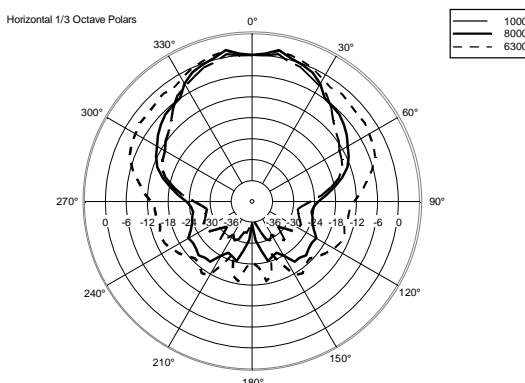
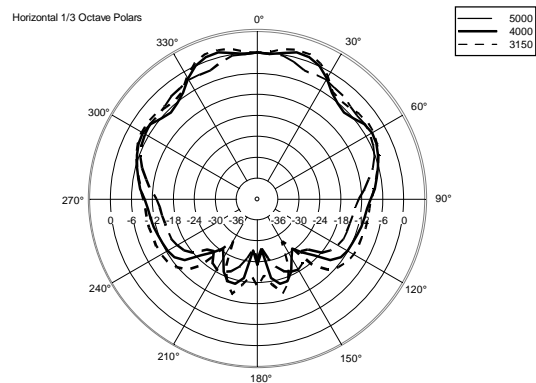
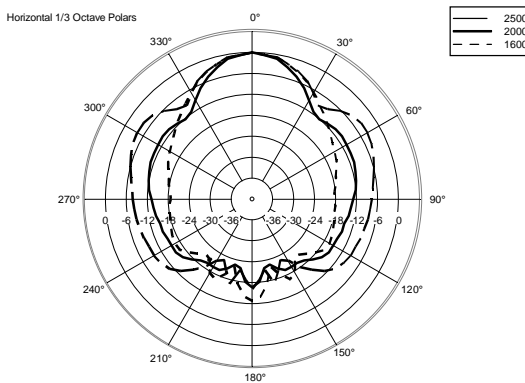
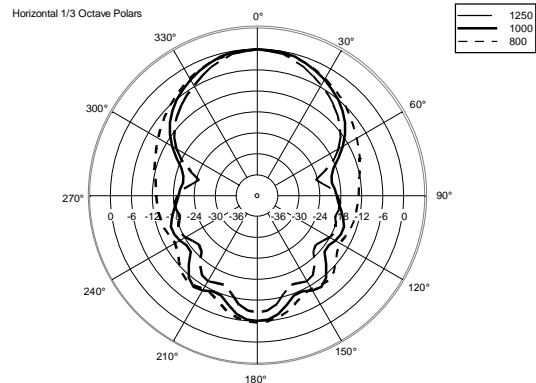
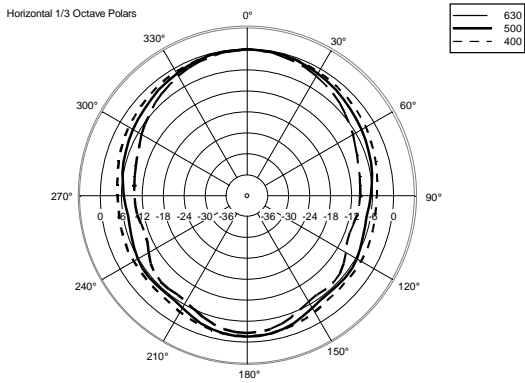
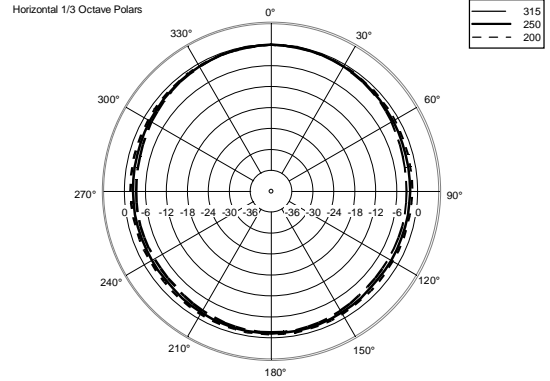
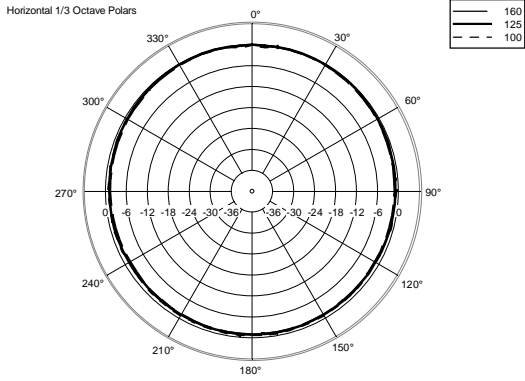
mm
[inches]

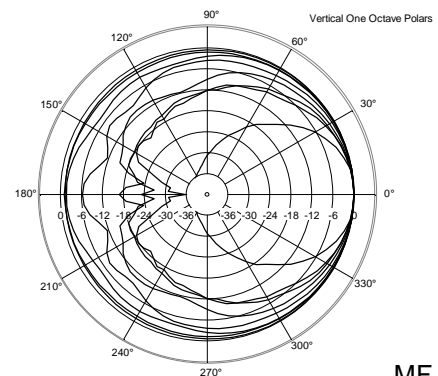
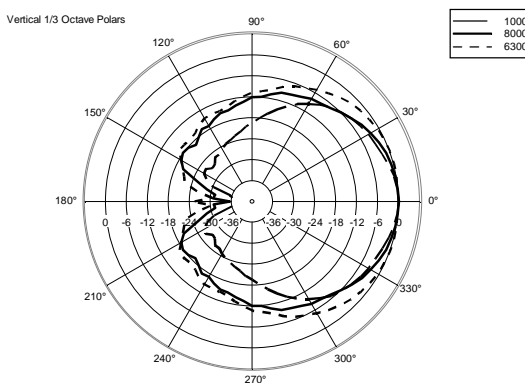
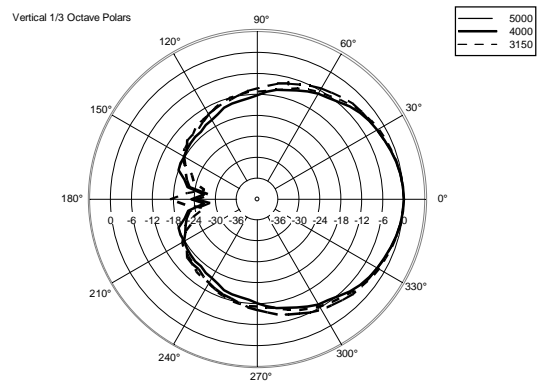
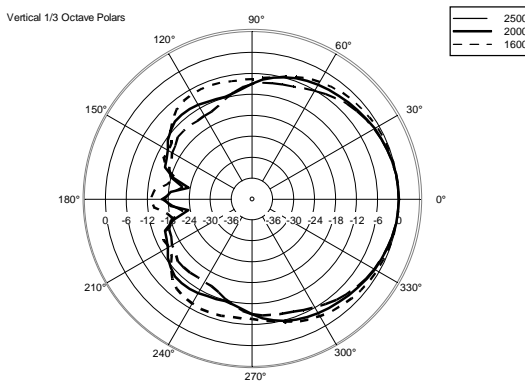
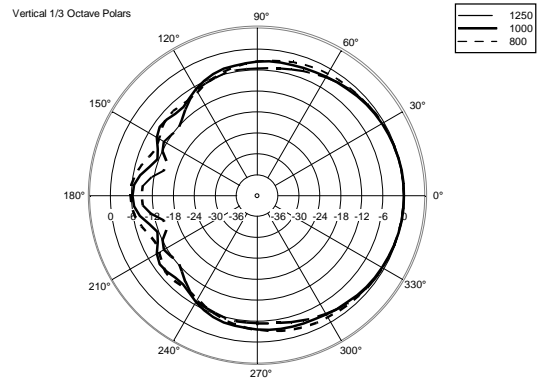
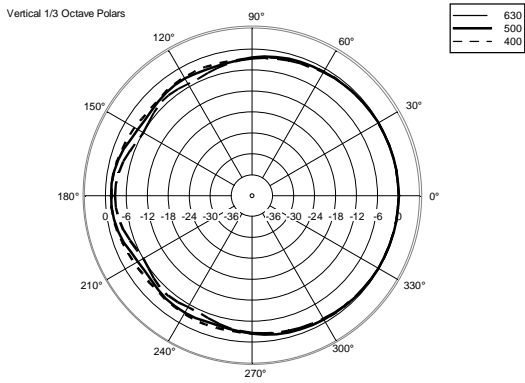
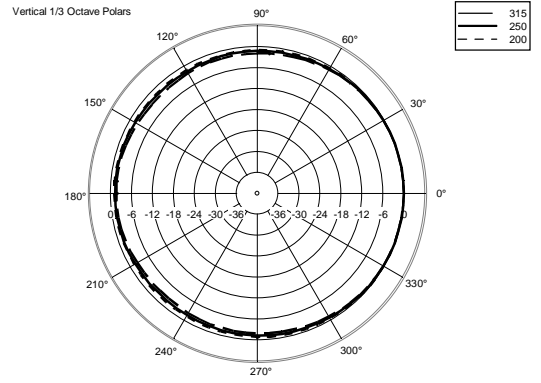
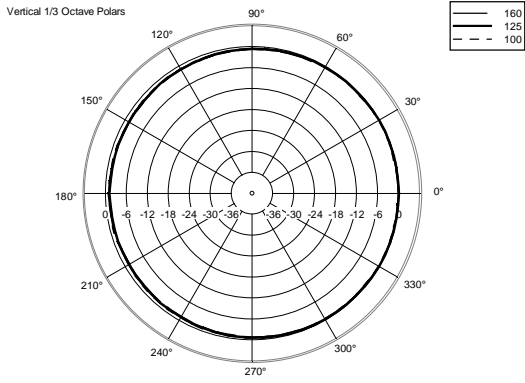


SCHEMATICS









A&E SPECIFICATIONS

The product shall be a two-way ceiling speaker designed for recess installation into ceilings or panels and especially suitable for broadcasting background music into commercial spaces, but also alarm messages thanks to the highly intelligible voice reproduction and the EN 54-24 certification. It shall feature a plastic cabinet with steel magnetic grille and is extremely easy to install. The terminal connection blocks, for input and output flameproof cables, shall be made of ceramic material. A thermal fuse shall protect the line integrity in case of heat affecting the speaker.

NOTES

NO CAUTION is NECESSARY in case of ALERTED PERSON for AUDIO voltages up to 120V, when warning symbols are present near the connection terminals. In the case of AUDIO voltages up to 71V, it is not even necessary to put warning symbols. No need of linking to earth metal parts of speakers equipped with transformers and connected to 70.7 V / 100 V outputs of power amplifiers that do not have any reference to earth (ref. EN 62368-1 item 4.3.2.2), unless specific local requirements.
