



NX 932-A

PROFESSIONAL ACTIVE SPEAKER



Description

NX 932-A is masterfully engineered from the ground up to deliver stellar audio performance for sound providers, small bands and DJs. The combination of a 3" titanium/neodymium compression driver, 12" woofer - two-channel 2,100W amplifier, and the constant directivity True Resistive Waveguide produces coherent 100° x 70° coverage for the listening area with up to 132 dB SPL, distortion-free sound. Used as a stand-alone speaker for a FOH system, satellite (with subwoofer), stage monitor, or flown speaker, the NX 932-A blends high performance and reliability in a compact package. Merging RCF proprietary FIRPHASE and Bass Motion Control DSP processing, perfectly tuned for each model, the audience will experience absolute sound clarity and deep, powerful bass response. The tour-ready, rugged all-wood cabinet is easy to carry and secure to install on a pole-, flown-, wall-, or truss-mounted using the dedicated rigging points available.

Features

- › Up to 132 dB Sound Pressure Level
- › 2100W Class-D Bi-Amplification
- › 45-20000 Hz linear frequency response
- › 3" Titanium/Neodymium Compression Driver
- › 12" Woofer
- › FIRPHASE zero degrees phase technology
- › Bass Motion Control woofer excursion management
- › Six M10 and four Quick Lock rigging points

Part Number

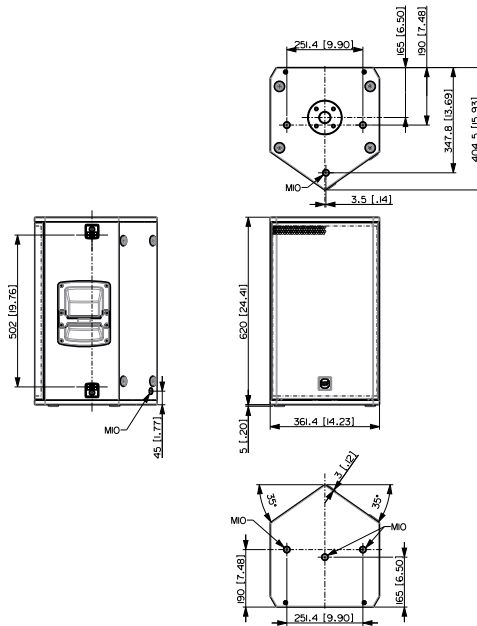
13000766 NX 932-A	220-240 V	Black	EAN 8024530021115
13000767 NX 932-A	100-120 V	Black	EAN 8024530021290
13000873 NX 932-A W	100-120 V	White	EAN 8024530021870
13000874 NX 932-A W	220-240 V	White	EAN 8024530022020



NX 932-A

PROFESSIONAL ACTIVE SPEAKER

Line Art 2D



TECHNICAL SPECIFICATIONS

Acoustical specifications	Frequency Response	45 Hz ÷ 20000 Hz
	Max SPL @ 1m	132 dB
	Horizontal coverage angle	100°
	Vertical coverage angle	70°
Transducers	Compression Driver	1 x 1.4" neo, 3.0" v.c
	Woofer	1 x 12", 2.5" v.c
Input/Output section	Input signal	bal/unbal
	Input connectors	Combo XLR/Jack
	Output connectors	XLR
	Input sensitivity	-2 dBu/+4 dBu
Processor section	Crossover Frequencies	700Hz
	Protections	Thermal, RMS
	Limiter	Soft Limiter
Power section	Controls	Linear, Boost, Stage, Volume
	Total Power	2100 W Peak
	High frequencies	700 W Peak
	Low frequencies	1400 W Peak
	Cooling	Convection
	Connections	Powercon TRUE1 TOP IN/OUT
Standard compliance	Safety agency	CE compliant
Physical specifications	Cabinet/Case Material	Plywood
	Hardware	2 x M10 Top, 1 x M10 each side, 1 x M10 bottom, 1 x M10 rear 2 each side quick lock pin seat
	Handles	1 x Side
	Pole mount/Cap	35 mm insert
	Grille	Steel
	Color	Black, White



NX 932-A

PROFESSIONAL ACTIVE SPEAKER

Size / Weight	Height	620 mm / 24.41 inches	
	Width	362 mm / 14.25 inches	
	Depth	405 mm / 15.94 inches	
	Weight	22.9 kg / 50.49 lbs	
Rigging / Mounting	ACCESSORIES		
	FLOOR STANDS		
	13360109 AC PRO-FS	Black	EAN 8024530006471
	FLYING BRACKETS		
	13360031 AC EB 4X		EAN 8024530018870
	HORIZONTAL BRACKETS		
	13360506 2X PLATE H-BR NX 910-912-915	Black	EAN 8024530020057
	13360538 H-BR 003	Black - RAL 9005	EAN 8024530021337
	13360609 H-BR 003	White - RAL 9003	EAN 8024530021573
	POLE MOUNT KITS		
	13360110 AC PRO-PM	Black	EAN 8024530006488
	13360638 PM-KIT M20	White	EAN 8024530022303
	13360067 PM-KIT M20	Black	EAN 8024530014599
	VERTICAL BRACKETS		
	13360328 V-BR TT 22 II	Black	EAN 8024530013332
	Protections	BAGS, COVERS	
13360496 CVR NX 912		Black	EAN 8024530019495
RAIN PROTECTIONS			
13360515 RP 001	Black - RAL 9005	EAN 8024530020460	