



P 2110T

WEATHERPROOF COAXIAL TWO-WAY SPEAKER



Description

The P 2110T is a weatherproof full-range, wide-dispersion, coaxial two-way loudspeaker system for a variety of professional indoor or outdoor applications. The speaker can be installed individually or coupled in array configurations. The low-frequency transducer is a 10" woofer with a 2.5" voice coil. The high-frequency section combines a 1" RCF Precision compression driver with a 1.5" diaphragm assembly centrally-mounted in the throat of the LF driver, and loaded on a constant directivity CMD horn for smooth, wide dispersion. The P 2110T features a selectable line transformer for 70 - 100 volt applications, built-in LICC crossover, and Active Mosfet Compression Driver Protection (AMCDP). The single-piece rotomolded cabinet is fully UV protected and meets IP-55 standard requirements. Included are M10 brass inserts (12 x) and one durable corrosion-resistant 316P stainless steel U-Bracket with spacers (2x) for 90° mounting. The aluminum grille cover is powder coated with water-repellent backing material and a rotatable logo plate.

Features

- › 200 W RMS power handling
- › 124 dB max SPL
- › 95 Hz ÷ 20000 Hz frequency range
- › 10" woofer, 2.5" v.c.
- › 1.5" v.c. compression driver
- › 90° x 40° constant directivity
- › Weatherproof IP55 cabinet with UV protection
- › Aluminum grille
- › AISI 316L stainless steel bracket
- › Built in 100V line transformer

Part Number

13000125 P 2110T

16ohm

Grey

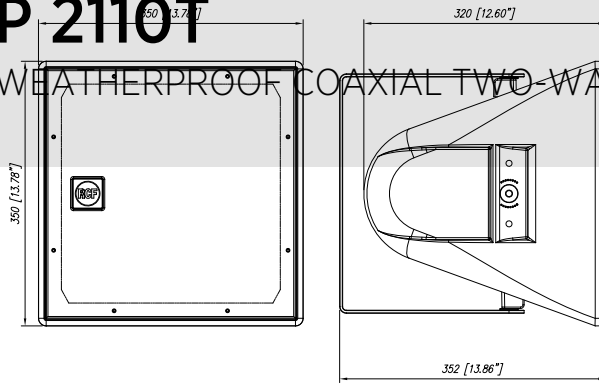
EAN 8024530008246



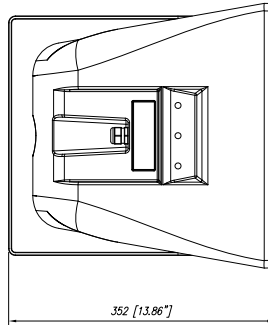
P 2110T

WEATHERPROOF COAXIAL TWO-WAY SPEAKER

Line Art 2D



P2110



TECHNICAL SPECIFICATIONS

Acoustical specifications	Frequency Response (-10dB)	95 Hz ÷ 20000 Hz
	Max SPL @ 1m	124 dB
	Horizontal coverage angle	90°
	Vertical coverage angle	40°
	Directivity index Q	11
	System Sensitivity	95 dB
Power section	Amplification	Full Range
	Nominal Impedance	16 ohm
	Power Handling	200 W
	Peak Power Handling	800 W PEAK
	Protections	Dynamic active mosfet
Transducers	Crossover Frequencies	2000 Hz
	Compression Driver	1.0", 1.5" v.c
	Woofer	Coaxial 10", 2.5" v.c
Input/Output section	Input connectors	Neoprene Cable
	Constant Voltage Transformer	100 V
	Power selection 1	60 W - 167 ohm
	Power selection 2	30 W - 333 ohm
Standard compliance	Power selection 3	15 W - 667 ohm
	IP protection grade	IP 55
Physical specifications	Safety agency	CE compliant
	Cabinet/Case Material	PE Low Density
	Hardware	12 x M8 inserts + U-brackets and pair of spacers
	Grille	Aluminum with waterproof clothing
	Color	Grey
Size	Height	350 mm / 13.78 inches
	Width	350 mm / 13.78 inches
	Depth	320 mm / 12.6 inches
	Weight	13.4 kg / 29.54 lbs



P 2110T

WEATHERPROOF COAXIAL TWO-WAY SPEAKER

Rigging / Mounting

ACCESSORIES

CLUSTER BRACKETS

13360095 C-BR 2X P10

Black

EAN 8024530006112