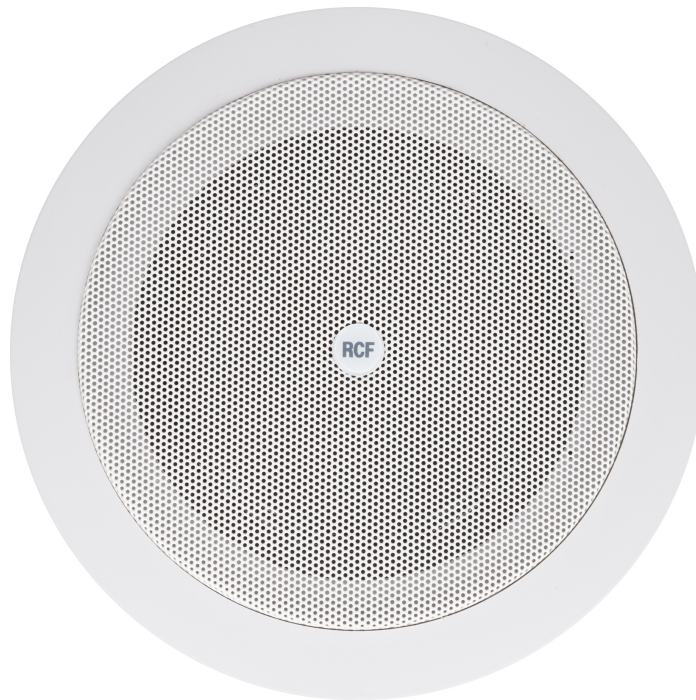




PL 50EN

CEILING SPEAKER WITH FIRE DOME



Description PL 50EN is a ceiling speaker featuring a flameproof steel back can, designed for recess installation into ceilings or panels. It is especially suitable for broadcasting alarm messages thanks to the highly intelligible sound reproduction and its resistance to high temperatures reached during fires. The terminal connection blocks, for input and output flameproof cables, are made of ceramic material. A thermal fuse protects the integrity of the line in case of heat affecting the speaker. Ground screw available (if needed). Cables inside speaker made using flameproof leads.

- Features**
- › 5" fullrange transducer.
 - › Power selectable (100 V): 6 W – 3 W – 1.5 W – 0.75 W.
 - › 92 dB sensitivity.
 - › Colour white RAL 9016.
 - › Steel frame, grille and back can.
 - › In/out ceramic terminal block.
 - › Thermal fuse protection.

Part Number 13100007 PL 50EN

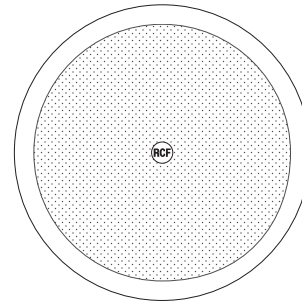
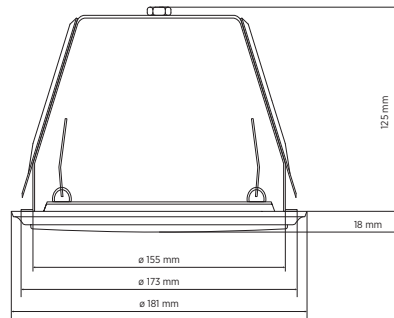
White - RAL 9016 EAN 8024530014384



PL 50EN

CEILING SPEAKER WITH FIRE DOME

Line Art 2D



TECHNICAL SPECIFICATIONS

Acoustical specifications	Frequency Response (-10dB)	130 Hz - 15000 Hz
	Max SPL @ 1m	100 dB
	Max SPL @ 4m	88 dB
	Coverage angle	160°
	System Sensitivity	92 dB
	System Sensitivity 1W @ 4m	80 dB
Power section	Amplification	Full Range
	Power Handling	6 W
	Peak Power Handling	24 W PEAK
	Protections	Thermal fuse
	Recommended Amplifiers	DXT 3000, DXT 4000, DXT 7000
Transducers	Fullrange	1 x 5.0"
Input/Output section	Input connectors	Ceramic screw terminals
	Output connectors	Ceramic screw terminals
	Constant Voltage Transformer	100 V
	Power selection 1	6 W - 1667 ohm
	Power selection 2	3 W - 3333 ohm
Power selection 3	1.5 W - 6667 ohm	
Power selection 4	0.75 W - 13333 ohm	
Standard compliance	Safety agency	CE compliant
	EN54-24 certified	Yes
	CPR number	0068-CPR-051/2017



PL 50EN

CEILING SPEAKER WITH FIRE DOME

Physical specifications	Cabinet/Case Material	Metal
	Hardware	Steel back cover
	Grille	Steel
	Color	White - RAL 9016
Size / Weight	Depth	143 mm / 5.63 inches
	Recessed Depth	125 mm / 4.92 inches
	Diameter	181 mm / 7.13 inches
	Cut out diameter	155 mm / 6.1 inches
	Weight	1.35 kg / 2.98 lbs