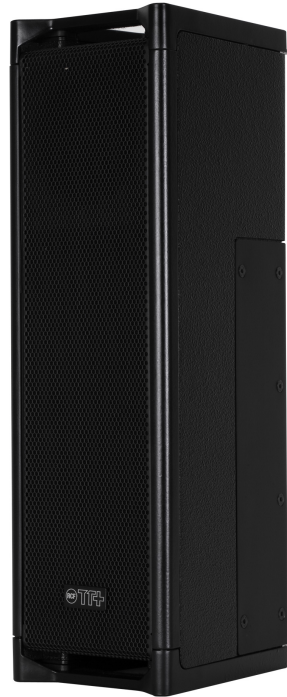




TT 052-A

ULTRA COMPACT HIGH OUTPUT SPEAKER



Description The TT052-A is an extremely compact, active loudspeaker specifically designed for indoor applications where the audio beam must be directed towards specific zones. It is equipped with two 5" neodymium woofers and a 1" compression driver. Thanks to its constant directivity horn and high volume output, the TT052-A can be used to guarantee the perfect intelligibility in critical environments.

- Features**
- › 300 W Class D amplifier
 - › Heavy duty multi-functional cabinet
 - › 2 x 5" low distortion woofer
 - › 1" ne compression driver, 1.5" v.c.
 - › DSP processing
 - › Wall mount EQ, High pass EQ
 - › RDNet ready

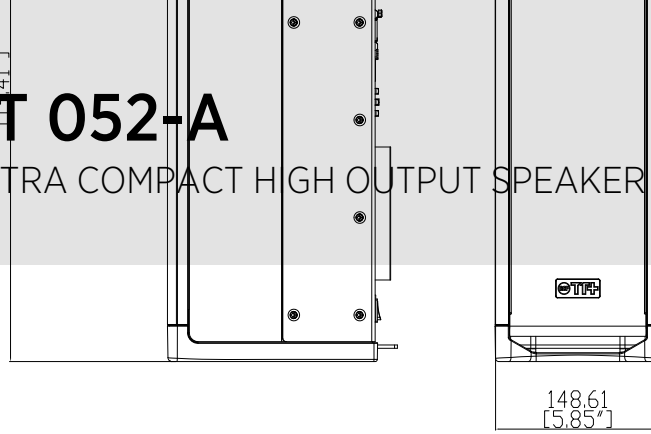
Part Number	13000245 TT 052-A	220-240 V	Black	EAN 8024530008932
	13000246 TT 052-A	115 V	Black	EAN 8024530008949



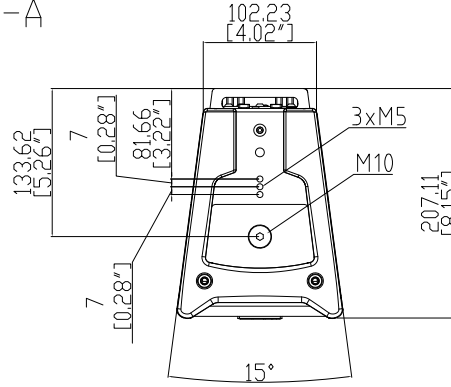
TT 052-A

ULTRA COMPACT HIGH OUTPUT SPEAKER

Line Art 2D



TT052-A



TECHNICAL SPECIFICATIONS

Acoustical specifications	Frequency Response	65 Hz ÷ 20000 Hz
	Max SPL @ 1m	123 dB
	Horizontal coverage angle	90°
	Vertical coverage angle	90°
Transducers	Compression Driver	1 x 1.0" neo, 1.5" v.c
	Woofer	2 x 5.0", 1.0" v.c
Input/Output section	Input signal	bal/unbal
	Input connectors	XLR
	Output connectors	XLR
	Input sensitivity	-2 dBu/+10 dBu
Processor section	Crossover Frequencies	1500 Hz
	Protections	Thermal, Excurs., HF
	Limiter	Soft Limiter
	Controls	DSP Controlled
	RDNet	Ready
Power section	Total Power	600 W Peak, 300 W RMS
	High frequencies	300 W Peak, 150 W RMS
	Low frequencies	300 W Peak, 150 W RMS
	Cooling	Convection
	Connections	Powercon IN/OUT
Standard compliance	Safety agency	CE compliant
Physical specifications	Cabinet/Case Material	Baltic birch plywood
	Hardware	Multi-functional
	Handles	Top, Bottom
	Grille	Steel
	Color	Black
Size / Weight	Height	493 mm / 19.41 inches
	Width	150 mm / 5.91 inches
	Depth	190 mm / 7.48 inches
	Weight	9.5 kg / 20.94 lbs



TT 052-A

ULTRA COMPACT HIGH OUTPUT SPEAKER

Rigging / Mounting

ACCESSORIES

CLUMP BRACKETS

13360171 CL-BR TT 051-052

FLYING BRACKETS

13360031 AC EB 4X

EAN 8024530018870

HORIZONTAL BRACKETS

13360205 H-BR 2X TT 052

Black

EAN 8024530007508

POLE MOUNT KITS

13360172 PM-KIT TT 051-052

EAN 8024530018658

Protections

COVERS

13360170 CVR TT 052

Black

EAN 8024530014063

Upgrade Kits

CONNECTION PANELS

13360176 RDNET IN-OUT PLUG

EAN 8024530015060

Cables

CABLES KIT

13360102 AC XLR 3M3F

EAN 8024530006402