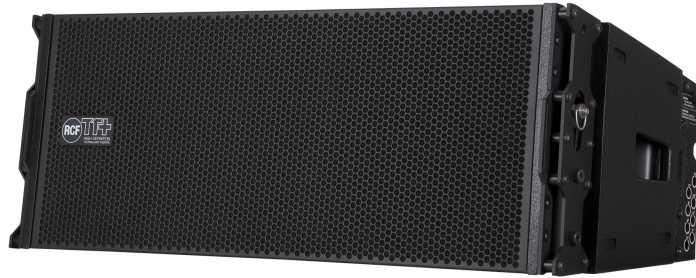




TTL 33-A II

ACTIVE THREE-WAY LINE ARRAY MODULE



Description The TTL33-A is a compact, wide dispersion, 3 way active line array module that offers the highest performance from a small size line array. The incredible high output and dynamics, the extreme accuracy and high frequency extension plus the compact size makes the TTL33-A the ideal tool for outdoor sound reinforcement, live performances and events as well as fixed installations in theatres, concert halls or auditoriums.

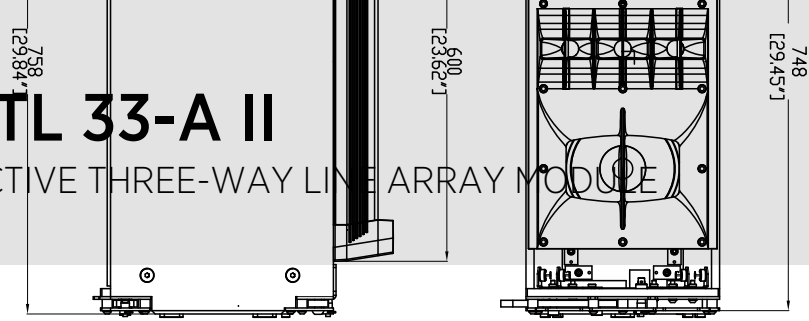
- Features**
- › 1250 W switching amplifiers
 - › wide, constant directivity, coverage angle
 - › 6 high power neodymium transducers
 - › High quality analog input board
 - › 96 kHz, 32 bit DSP processing
 - › Soft limiter and RMS protection
 - › Maximum output per size available on the market
 - › RDNet on board

| | | | | |
|--------------------|----------------------|-----------|-------|-------------------|
| Part Number | 13000360 TTL 33-A II | 220-240 V | Black | EAN 8024530009731 |
| | 13000361 TTL 33-A II | 115 V | Black | EAN 8024530009748 |

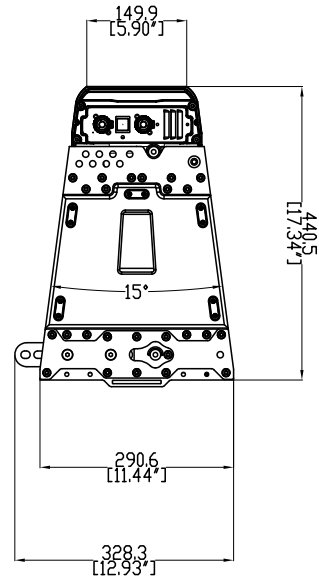


TTL 33-A II

ACTIVE THREE-WAY LINE ARRAY MODULE



TTL 33-A



Line Art 2D

Acoustical specifications

Frequency Response 60 Hz ÷ 20000 Hz
 Max SPL @ 1m 135 dB
 Horizontal coverage angle 100°
 Vertical coverage angle 15°

Transducers

Compression Driver 3 x 1.0" neo, 1.5" v.c
 Midrange 1 x 8" neo, 2.0" v.c
 Woofer 2 x 8" neo, 2.5" v.c

Input/Output section

Input signal bal/unbal
 Input connectors XLR, RDNet Ethercon
 Output connectors XLR, RDNet Ethercon
 Input sensitivity -2 dBu/+4 dBu

Processor section

Crossover Frequencies 400 Hz - 1800 Hz
 Protections Thermal, HF
 Limiter Fast Limiter
 Controls HF Correction, cluster size, HPF
 RDNet Yes

Power section

Total Power 2500 W Peak, 1250 W RMS
 High frequencies 500 W Peak, 250 W RMS
 Mid frequencies 1000 W Peak, 500 W RMS
 Low frequencies 1000 W Peak, 500 W RMS
 Cooling Convection/Forced
 Connections Powercon IN/OUT

Standard compliance

Safety agency CE compliant

Physical specifications

Cabinet/Case Material Baltic birch plywood
 Hardware Array side fittings
 Handles 2 on side
 Grille Steel
 Color Black



TTL 33-A II

ACTIVE THREE-WAY LINE ARRAY MODULE

| | | | |
|---------------------------|----------------------------|-----------------------|---------------|
| Size | Height | 290 mm / 11.42 inches | |
| | Width | 760 mm / 29.92 inches | |
| | Depth | 441 mm / 17.36 inches | |
| | Weight | 33 kg / 72.75 lbs | |
| | ACCESSORIES | | |
| Cables | AC XLR 3M3F | 13360102 | 8024530006402 |
| | CBL ETHERCON 0.7M | 12399016 | 8024530013844 |
| | CBL ETHERCON 1.5M | 12399017 | 8024530013851 |
| | CBL ETHERCON 3M | 12399035 | 8024530013868 |
| | CBL ETHERCON 5M | 12399018 | 8024530013875 |
| | CBL ETHERCON TO XLR F 0.2M | 12399019 | 8024530013882 |
| | CBL ETHERCON TO XLR M 0.2M | 12399020 | 8024530013899 |
| | CBL LK 25 MULTIPIN 10M | 12399023 | 8024530013837 |
| | CBL LK 25 MULTIPIN 20M | 12399022 | 8024530013820 |
| | CBL LKS 19 ARRAY FANOUT | 12399024 | 8024530013905 |
| | CBL LKS 19 BREAKOUT | 12399026 | 8024530013929 |
| | CBL LKS 19 POWER 10M | 12399027 | 8024530013936 |
| | CBL LKS 19 POWER 20M | 13360146 | 8024530013943 |
| | CBL LKS 19 SUB FANOUT | 12399025 | 8024530013912 |
| | CBL LKS 25-2 FANOUT | 12399021 | 8024530013813 |
| | CBL POWER BOX 6X | 13360145 | 8024530015534 |
| | CBL POWERCON LINK 0.7M | 12399031 | 8024530013738 |
| | CBL POWERCON LINK 1.5M | 12399030 | 8024530013721 |
| | CBL POWERCON LINK 10M | 12399028 | 8024530013707 |
| | CBL POWERCON LINK 5M | 12399029 | 8024530013714 |
| | POWER CABLE X6 TTL 55-A | 13360138 | |
| Protections | RP 1X TTL 33 | 13360083 | 8024530015916 |
| Rigging / Mounting | AZM-BR 2X | 13360351 | 8024530013516 |
| | FL-B SH TTL 33 | 13360063 | 8024530016357 |
| | FL-B TTL 33 | 13360052 | 8024530015428 |
| | HOIST SPACING CHAIN CH 001 | 13360129 | 8024530020774 |
| | QL-PIN D9.6 L25.4 4X | 13360060 | 8024530017965 |
| | SAFETY CHAIN CH 002 | 13360128 | 8024530020767 |
| | SHACKLE TTL 33-31 | 13360143 | |
| | STCK-KIT TTL 33 | 13360057 | |
| Transportation | KRT-WH 4X TTL 33 | 13360059 | 8024530015305 |
| Upgrade Kits | RDNET INPUTS TTL 33-A II | 13360226 | 8024530020262 |