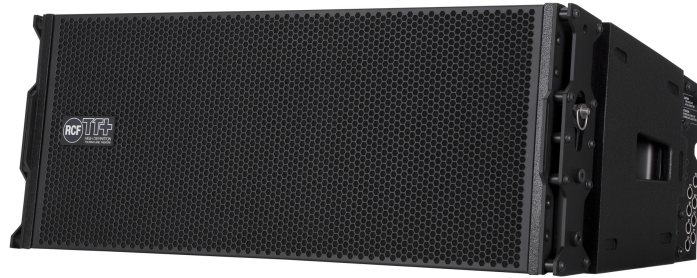




# TTL 33 WP

## WEATHERPROOF PASSIVE LINE ARRAY MODULE



### Description

The TTL33 WP is a compact, wide dispersion, 3 way passive line array module that offers the highest performance from a small size line array. The incredible high output and dynamics, the extreme accuracy and high frequency extension plus the compact size makes the TTL33 WP the ideal tool for outdoor sound reinforcement, live performances and events as well as fixed installations in theatres, concert halls or auditoriums. TTL33 WP includes the LICC-Low Impedance Compensated Crossover that features markedly lower induction values in series with the woofer. The benefit is delay reduction, reduced phase shift and superior transient response.

For a superior power handling high power, aluminium case, resistors are used in the crossover network. Connections to the amplifier are made through a watertight multi-pole connector. The grille is in custom perforated aluminum with open-cell fibers and water repellent woven fabric backing. The cabinet is constructed of multi-ply baltic birch plywood and finished in a very resistant, textured, polyurea black paint.

### Features

- › Very compact size
- › Maximum output per size available on the market
- › Wide, constant directivity, horizontal coverage angle
- › 6 high power neodymium transducers
- › Minimum weight
- › Watertight multi-pole connector IP67
- › LICC (Low Impedance Compensated Crossover Network)
- › Baltic birch cabinet

### Part Number

13000248 TTL 33 WP

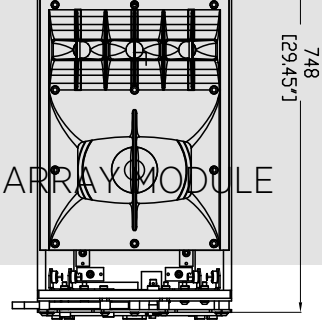
Black

EAN 8024530008956

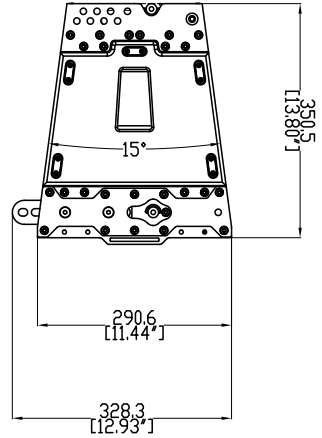


# TTL 33 WP

WEATHERPROOF PASSIVE LINE ARRAY MODULE



TTL 33 - WP



Line Art 2D

**Acoustical specifications**

Frequency Response (-10dB) 55 Hz ÷ 20000 Hz  
 Max SPL @ 1m 133 dB  
 Horizontal coverage angle 100°  
 Vertical coverage angle 15°  
 System Sensitivity 100 dB

**Power section**

Nominal Impedance 8 ohm  
 Power Handling 600 W  
 Peak Power Handling 2400 W PEAK  
 Protections Active mosfet compression driver  
 Crossover Frequencies 500 Hz

**Transducers**

Compression Driver 3 x 1.0", 1.4" v.c  
 Midrange 8", 2.5" v.c  
 Woofer 2 x 8", 2.5" v.c

**Input/Output section**

Input connectors Amphenol eco/mat IP 67  
 Output connectors Amphenol eco/mat IP 67

**Standard compliance**

Safety agency CE compliant

**Physical specifications**

Cabinet/Case Material Baltic birch plywood  
 Hardware Array side fittings  
 Handles 2 side  
 Grille Steel with waterproof clothing  
 Color Black

**Size**

Height 290 mm / 11.42 inches  
 Width 760 mm / 29.92 inches  
 Depth 365 mm / 14.37 inches  
 Weight 30 kg / 66.14 lbs