

# TTL 55-A WP STADIUM

## ACTIVE THREE-WAY LINE ARRAY MODULE

### DESCRIPTION

The TTL55-A WP Stadia is a high power, three-way, active line array module engineered to deliver an incredible output for use in outdoor large spaces. The three new designs for the six neodymium transducers powering the system result from a long-lasting research in pioneering new solutions using the best materials available on the market. The mechanical suspension and orientation system are made of high-quality steel. The suspension system is directly connected to the aluminum sides of the cabinet and is particularly precise and easy to use.



### FEATURES

- Maximum output per size on the market
- 3500 W, four-way digital amplification
- 2 x 12" high power neodymium woofers, 4" v. c.
- 10" neodymium midrange, 3.5" v. c.
- 3 x 1.5" neodymium compression drivers, 2.5" v. c.
- High quality analog input board
- 96 kHz, 32-bit DSP processing
- RDNet ON BOARD
- Tour grade Baltic birch cabinet and mechanics

## TECHNICAL SPECIFICATIONS

<b>Acoustical specifications</b>	Max SPL @ 1m:	143 dB
	Horizontal coverage angle:	90°
	Vertical coverage angle:	7°
<b>Transducers</b>	Compression Driver:	3 x 1.5" neo, 2.5" v.c
	Midrange:	10" neo, 3.5" v.c
	Woofers:	2 x 12" neo
<b>Input/Output section</b>	Input signal:	bal/unbal
	Input connectors:	XLR, RDNet Ethercon
	Output connectors:	XLR, RDNet Ethercon
	Input sensitivity:	+4 dBu
<b>Processor section</b>	Crossover Frequencies:	320 Hz - 1300 Hz
	Protections:	Thermal, Excurs., RMS
	Limiter:	Soft Limiter
	Controls:	DSP Controlled
	RDNet:	Yes
<b>Power section</b>	Total Power:	7000 W Peak, 3500 W RMS
	High frequencies:	1000 W Peak, 500 W RMS
	Mid frequencies:	2000 W Peak, 1000 W RMS
	Low frequencies:	4000 W Peak, 2000 W RMS
	Cooling:	Convection/Forced
	Connections:	Powercon IN/OUT
<b>Standard compliance</b>	CE marking:	Yes
<b>Physical specifications</b>	Cabinet/Case Material:	Baltic birch plywood
	Hardware:	Array Fly-Ware
	Grille:	Steel with waterproof clothing
	Color:	Black
<b>Size</b>	Height:	380 mm / 14.96 inches
	Width:	1020 mm / 40.16 inches
	Depth:	550 mm / 21.65 inches
	Weight:	60 kg / 132.28 lbs
<b>Shipping informations</b>	Package Height:	909 mm / 35.79 inches
	Package Width:	1144 mm / 45.04 inches
	Package Depth:	499 mm / 19.65 inches
	Package Weight:	71.5 kg / 157.63 lbs



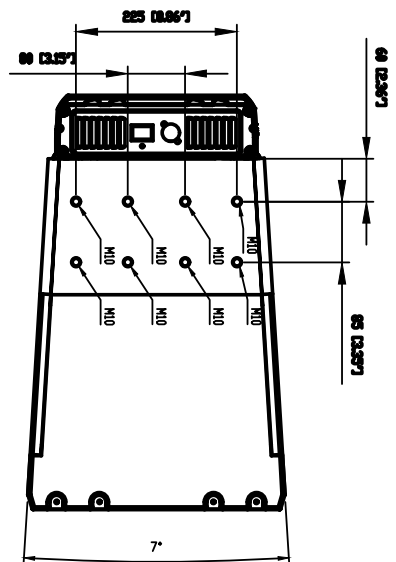
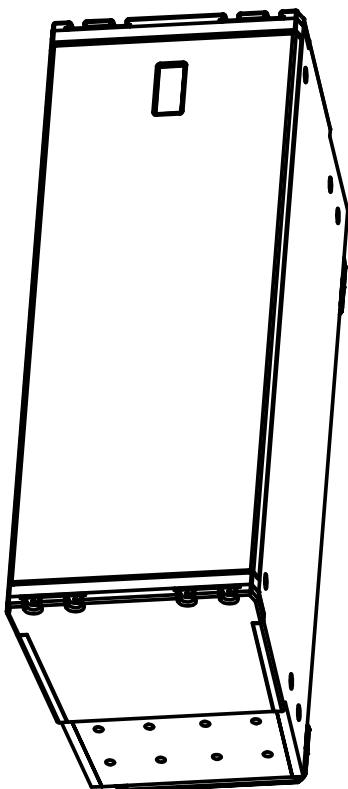
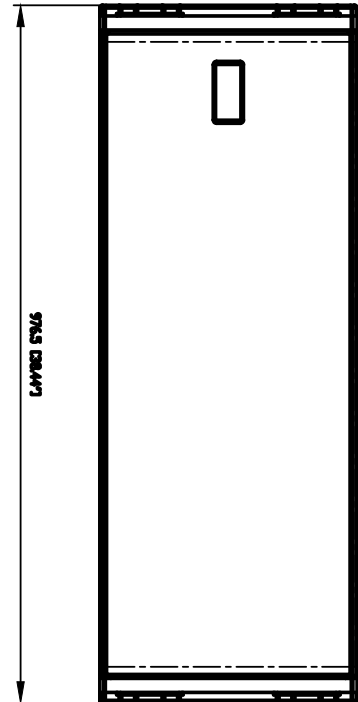
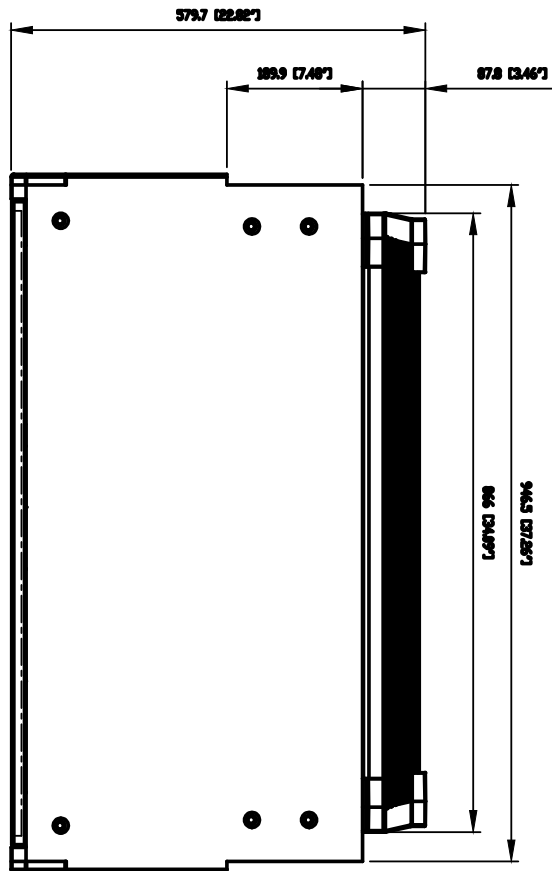
**PART NUMBER**

- **13000424**

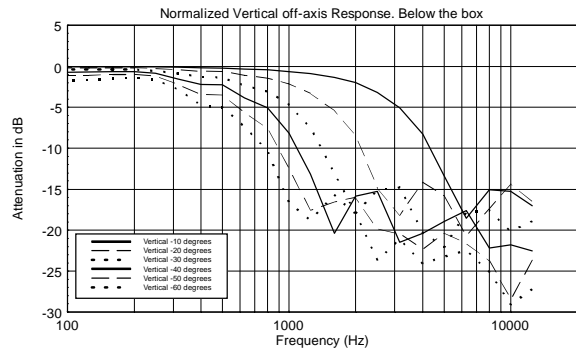
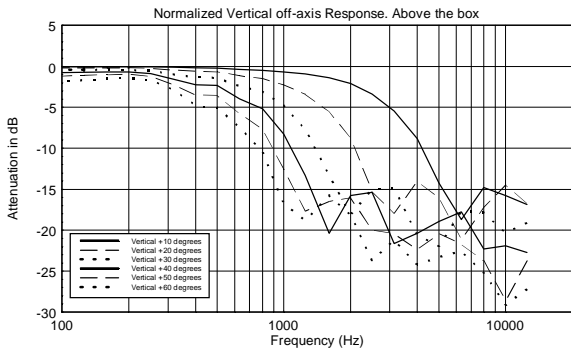
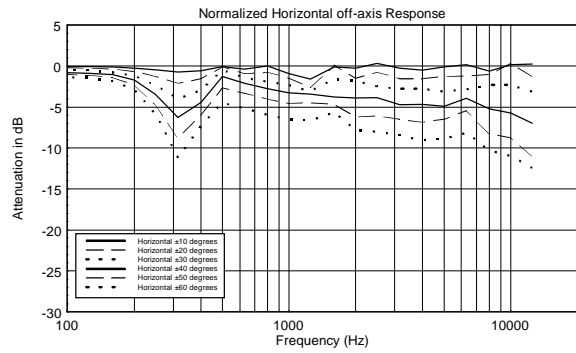
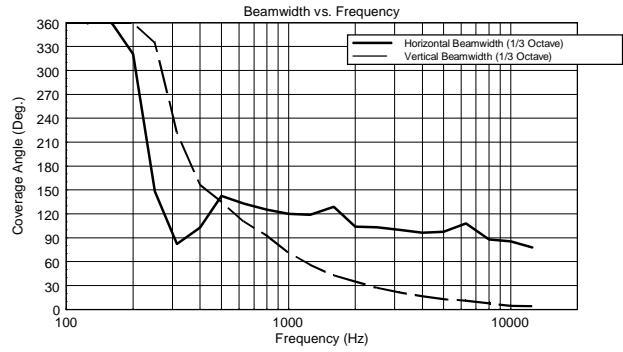
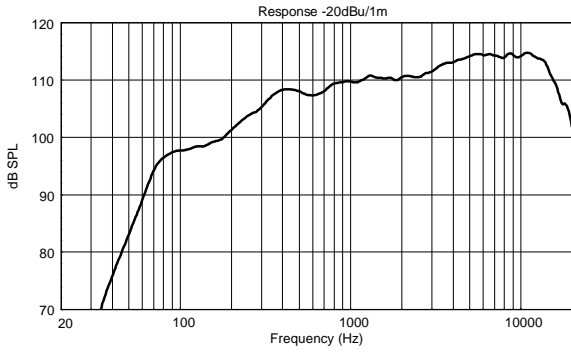
TTL 55-A WP STADIUM

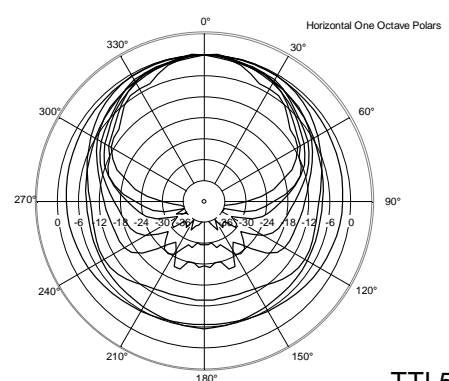
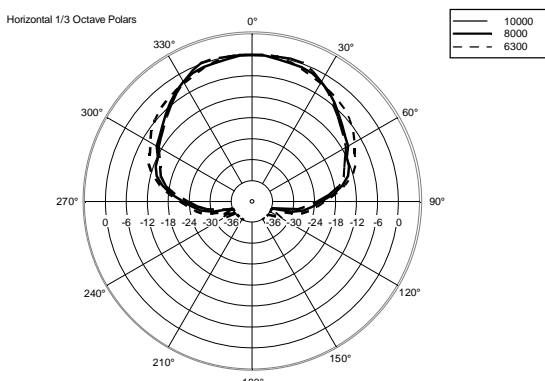
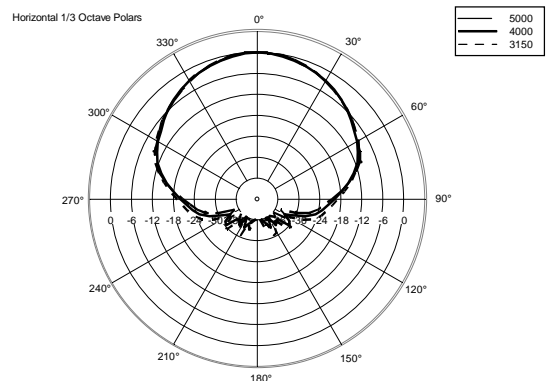
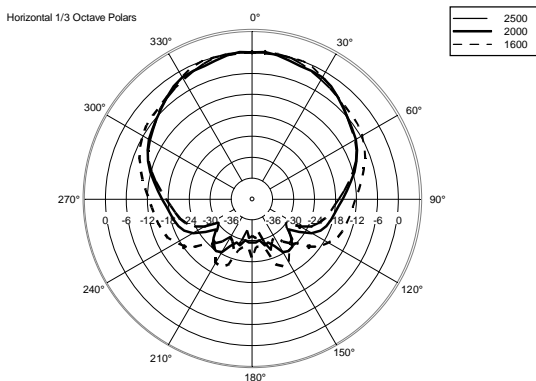
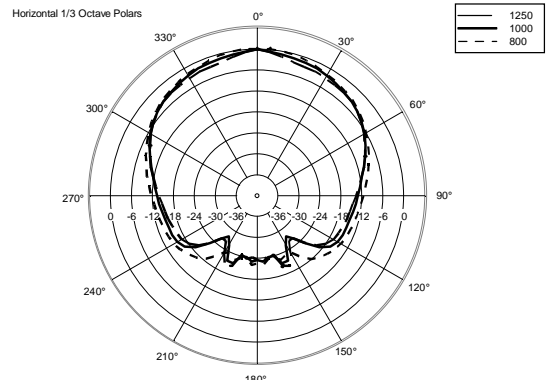
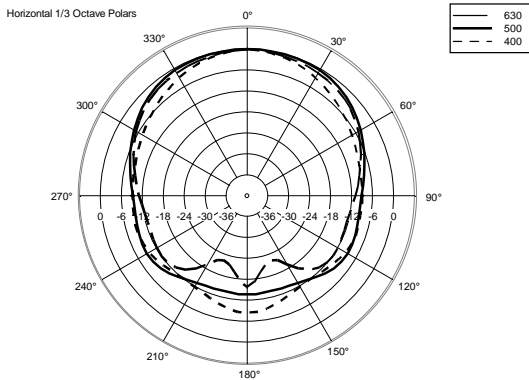
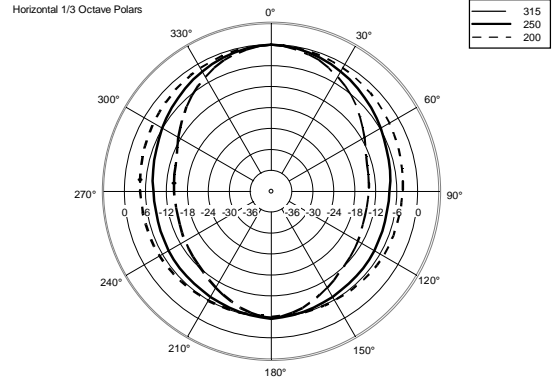
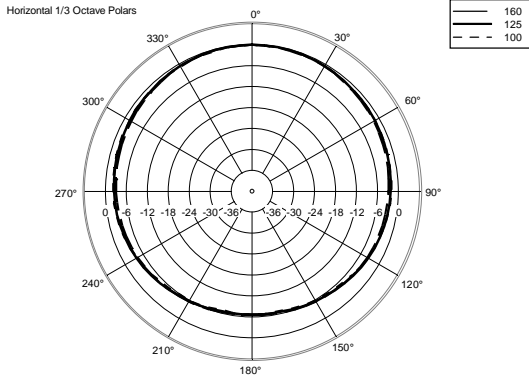
220-240V

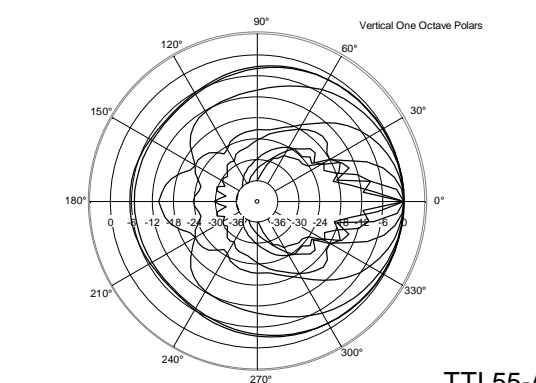
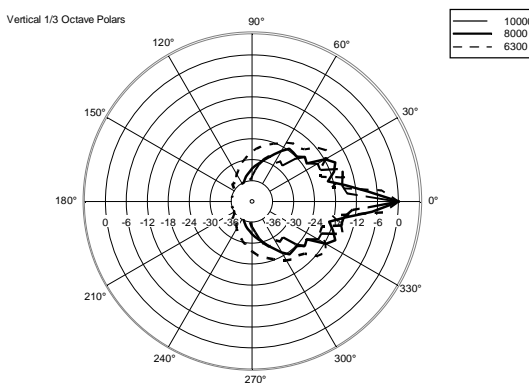
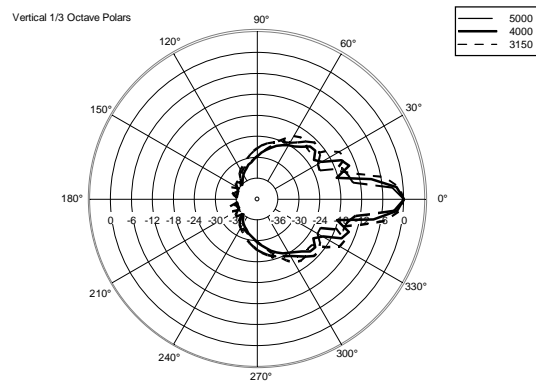
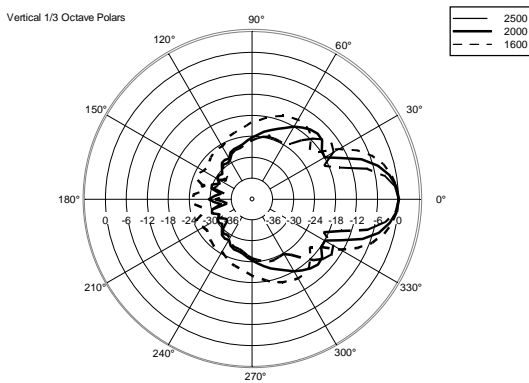
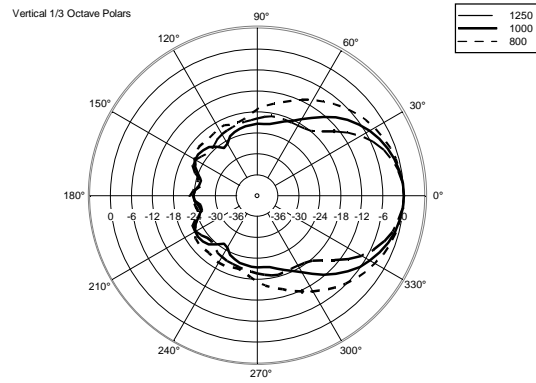
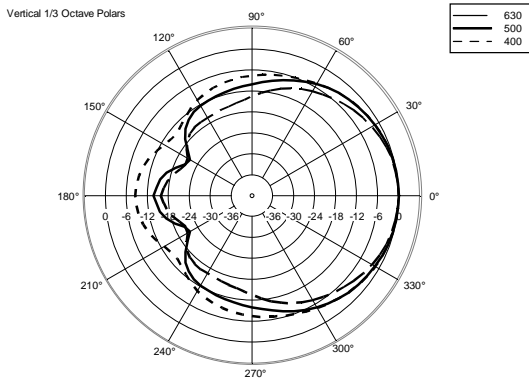
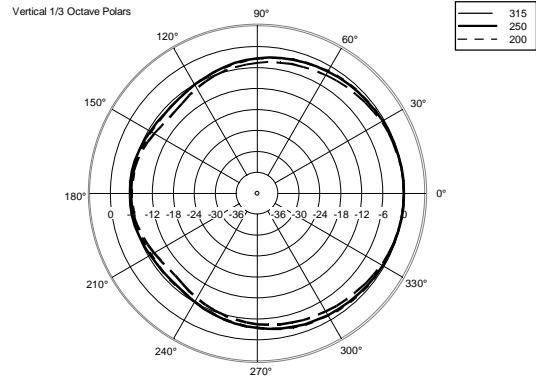
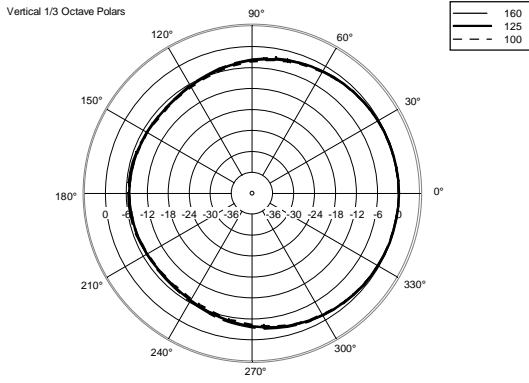
EAN 8024530012106



TIL55-A WP STADIUM









**ACCESSORIES**