



# V-BR TT 08 II

VERTICAL BRACKET



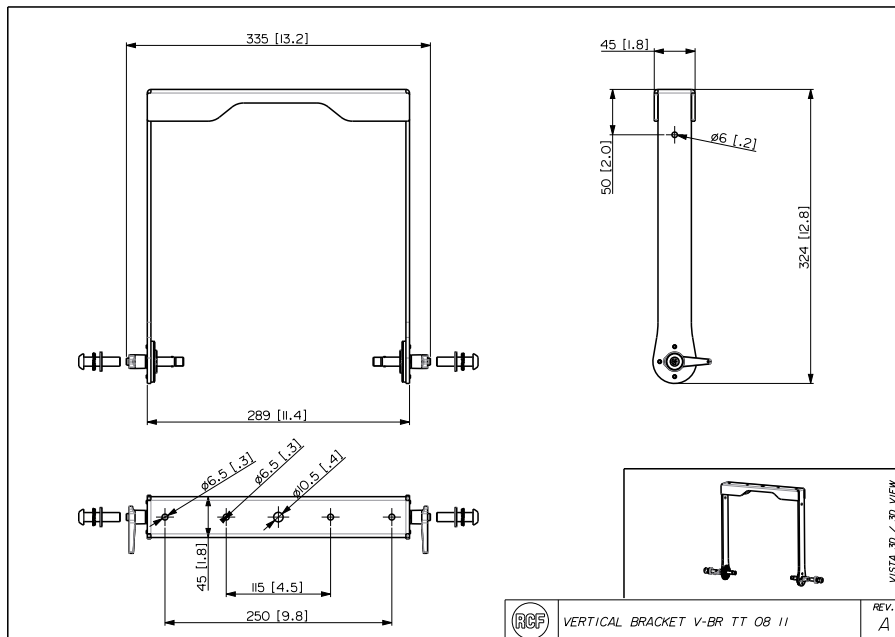
## Description

**Standard compliance**  
**Size / Weight**  
**Physical specifications**

Safety agency  
Weight  
Color

CE compliant  
4.7 kg / 10.36 lbs  
Black

## Line Art 2D



**Part Number**

13360400 V-BR TT 08 II

Black

EAN 8024530016296

## Technical Specifications

Products are continually improved. All specifications are therefore subject to change without notice.