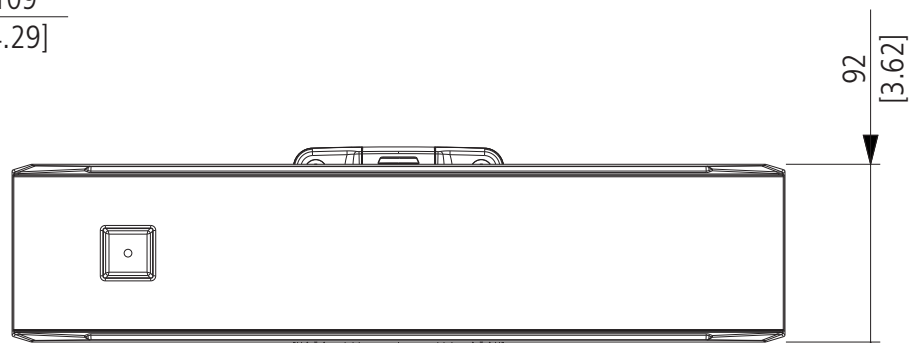
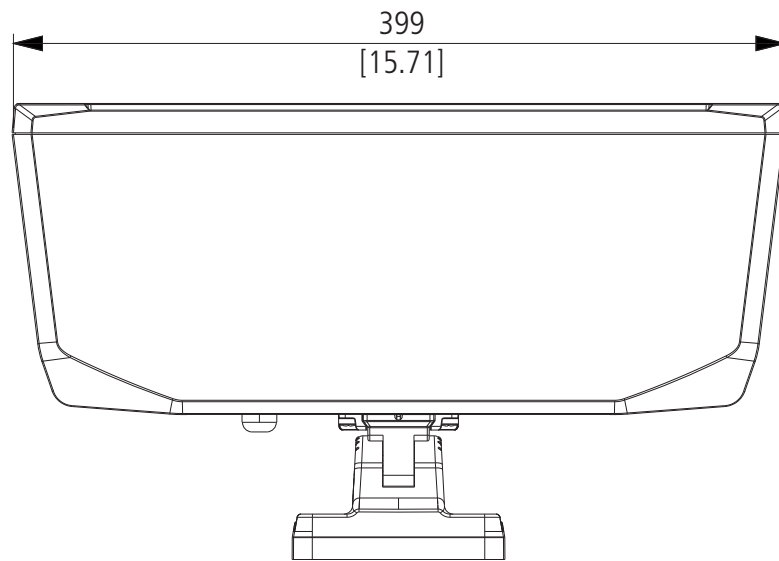
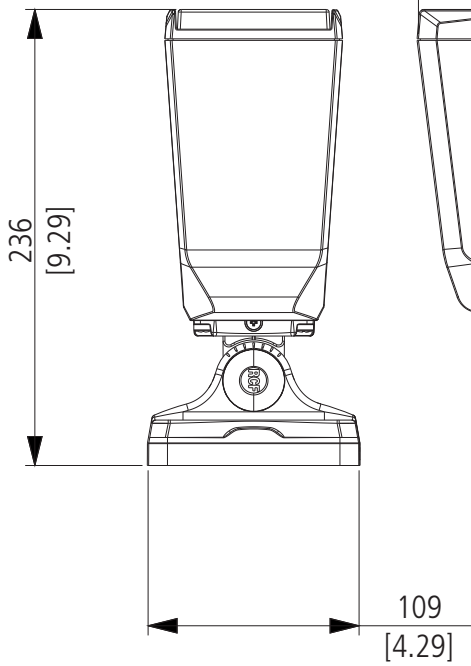
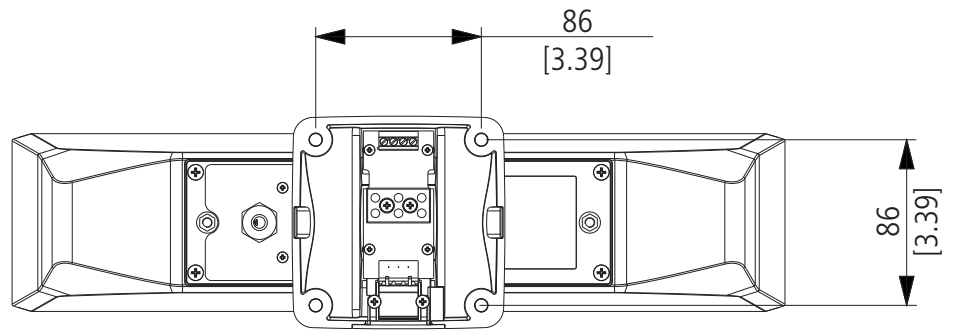


DRAWINGS

mm
[inches]



SCHEMATICS

